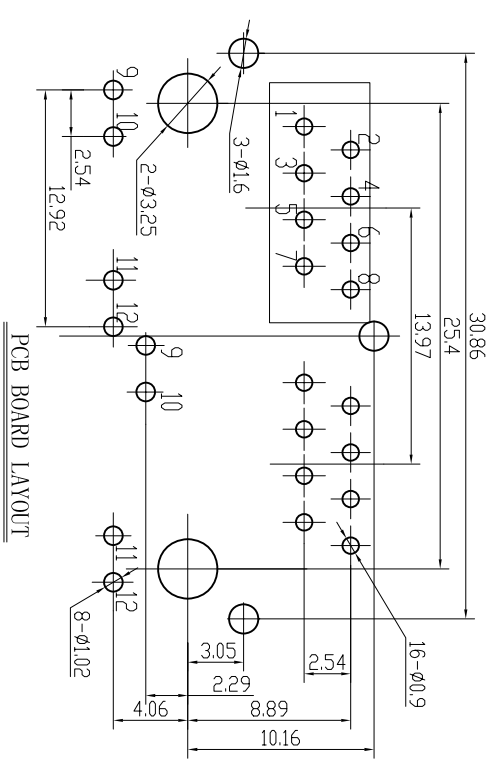
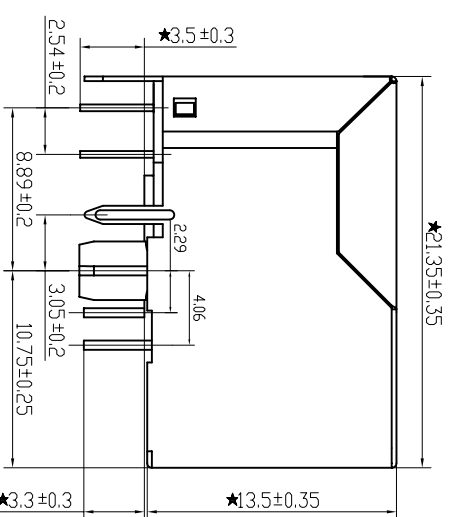
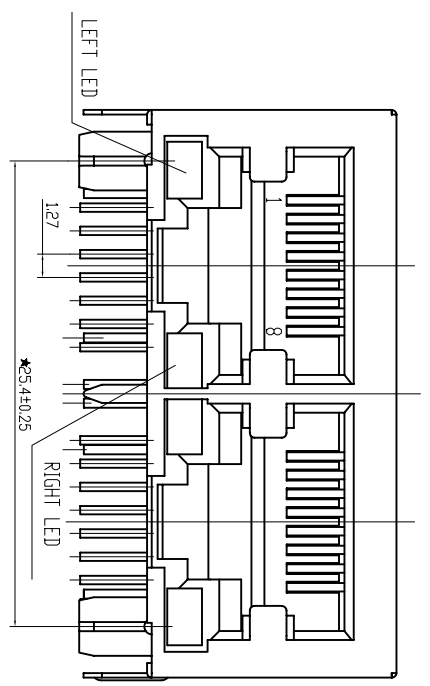


Standard LED Color	LED Wavelength (nm)	Forward (V MAX)	Typical (V TYP)	Luminous Intensity
Green	560-580 nm	2.5V	2.1-2.2V	9-25 MCD
Yellow	580-610 nm	2.5V	2.1-2.2V	9-30 MCD
Orange	580-610 nm	2.5V	2.1-2.2V	50-100 MCD

- LED intensity/wavelength measured with Photo Research PR-650 Colormeter
- With a forward current of 20 mA, Absolute Maximum Ratings (Ta=25°C)

Specification:
 1: TOLERANCES UNLESS OTHERWISE SPECIFIED:
 0~10±0.15, 10~20±0.2, 20~40±0.25, 40~70±0.3, >70±0.4
 2: JACK CAVITY CONFORMS TO FCC RULES AND REGULATIONS, PART 68 SUBPART F.



B-TOP® 东莞市博腾电子科技有限公司
 Dongguan BroadTop Electronic Technology Co., Ltd.

FIRST ANGLE PROJECTION
 TEL: 0769-38926198
 FAX: 0769-38926199
 Website: www.BtopTech.com
 www.BtopTech.com

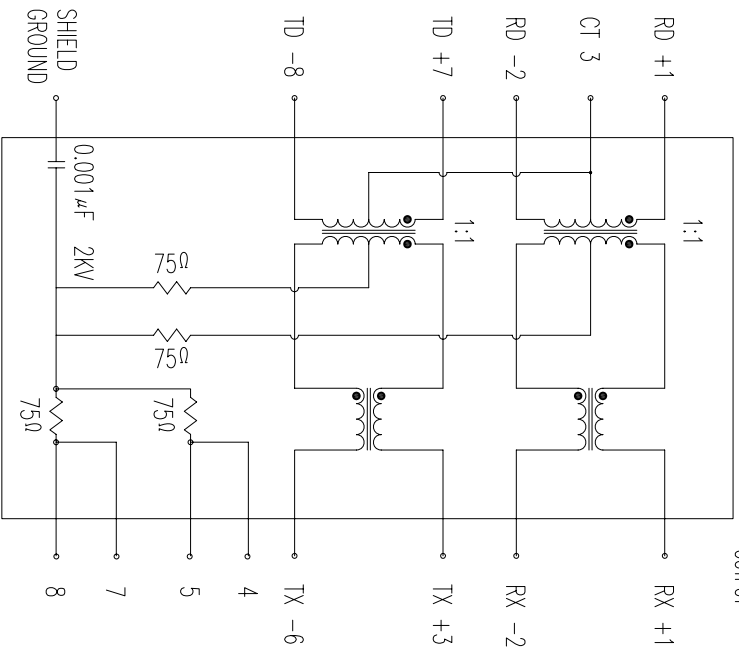
Designed	Checked	Approved	MATERIAL	SCALE	UNIT	MODEL NO.	REV.
				2.5:1	mm	B50(91-02)F4-136-B213-B52(X2 G-Y LED)	V1.0

1

2

INPUT

RJ45 OUTPUT



DESCRIPTION

ELECTRICAL: RJ45 With internal Magnetics Connector

Designed to support such applications as: Ethernet Equipment Complex, Switches, Routers, Firewalls, Servers and Hub

Internal magnetics are 100% electrically tested for functionality per IEEE802.3 requirement

RoHS peak wave solder temperature rating 235^ot

High performance for maximum EMI suppression

350uH minimum OCL with 8mA bias current

MECHANICAL: JACK CAVITY CONFORMS TO FCC RULES AND REGULATIONS, PART 68 SUBPART F.

INSERTION FORCE: 8 CONTACTS--900g, 10 CONTACTS--1050g

RETENTION STRENGTH: 7.7kgs BETWEEN JACK AND PLUG

DURABILITY: 750 MATING CYCLES Mini

MATERIAL:

- HOUSING: 1) GLASS FILLED PA66 (UL 94V-0)
- 2) GLASS FILLED PA46/PA6T/PA9T/LCP (UL 94V-0)
- 3) GLASS FILLED PBT/PA/ABS/PC (UL 94V-0)

SPRING WIRE: 0.25-0.35mm THICKNESS(50-80μ") PHOSPHOR BRONZE ALLOY SELECTIVE GOLD PLATING OVER NICKEL

SHIELDING: 0.2-0.24mm THICKNESS(50-80μ") COPPER ALLOY WITH TIN PLATED

GOLD PLATING: 3μ", 6μ", 15μ", 30μ", 50μ"

Storage: -40^ot~85^ot Relative Humidity<70%

Operating: 0^ot~70^ot

ELECTRICAL SPECIFICATIONS AT 25°C

Insertion Loss dB max	Return Loss dB min	Crosstalk(dB TYP)	Common Mode Rejection (dB TYP)	Hipot(Vrms)
1-125MHz	1-30MHz	30- 80MHz	1- 100MHz	1-100MHz
-1.2	-18	-18+20log(f/30MHz)	-30	-30

"g" with the company code

Series of products: 60-pin/46-pin RJ45 connector + transformer series (in side ring footprint); 90-pin/46-pin RJ45 connector + transformer series (in vertical footprint); 50-pin RJ45 + transformer series (32/33/35/36 LED/56/57/58); 64-pin RJ45 series (30); that strip line series; 40; Connector side.

Connectivity: 8P; Series that, UK; 91; Automotive connector and/or block; 95; 100M the board; 100M and/or block; 95; SMT series; 96; SRS for striplines.

Family code (sequence ID): 1-99

Type of product code: G: Gigabit RJ45 transformer; F: 100Base RJ45 transformer; R: 10Base-T transformer; W: Series for back-to-back code

Number of magnetic ring

The No. of circuit

Product definition LOGO: 1 - Press 'B - TOP' ; 2 - No 'B - TOP' ; 3 - Other companies LOGO

Product definition plastic materials: 1-PA66 2-PA46, 3-PA 4-PA6, 5-PBT, 6-ABS, 7-PA9T, 8-PC, 9 - LCP

Pin definition of the product: F-Pin after 'B-Pin' back; C- No definition of the product

Electroplating product definition: gold-plated terminals/degrees after nickel plated) 1-F 2- 250μ" ; 3-50μ" ; 4-15μ" ; 5-50μ" ; 6-50μ" ; 7-14M-50μ" ; 8-50-120μ" ;)

Product shielding definition: 0 - no shielding shell; 1 - without shielding shell; 2 - shielding a shell; 3 - a half-shield shell

Products luminous definition: 0 - No LED; 1 - Left Yellow Right Green; 2 - Left Green Right Yellow; 3 - Double Green; 4 - Double Yellow; 5 - LED straight for the pin; 6 - A special definition; 7 - Single Linear LED

Products cut part: "1-3X" "2-2X" "3-2X" "4-2X" "5-2X" "6-2X" "7-1X" "8-1X" "9-1X" "10-1X" "11-1X" "12-1X" "13-1X" "14-1X" "15-1X" "16-1X" "17-1X" "18-1X" "19-1X" "20-1X"

B-TOP® 东莞市博腾电子科技有限公司

Dongguan BroadTop Electronic Technology Co., Ltd.

FIRST ANGLE PROJECTION		TEL: 0769-38926198	Designed	Checked	MATERIAL	SCALE	UNIT	mm	MODEL NO.	DESCRIPTION	REV.
		FAX: 0769-38926199									
		www.BroadTech.com									
		Website: www.BroadTech.com									

B

A

B

A