

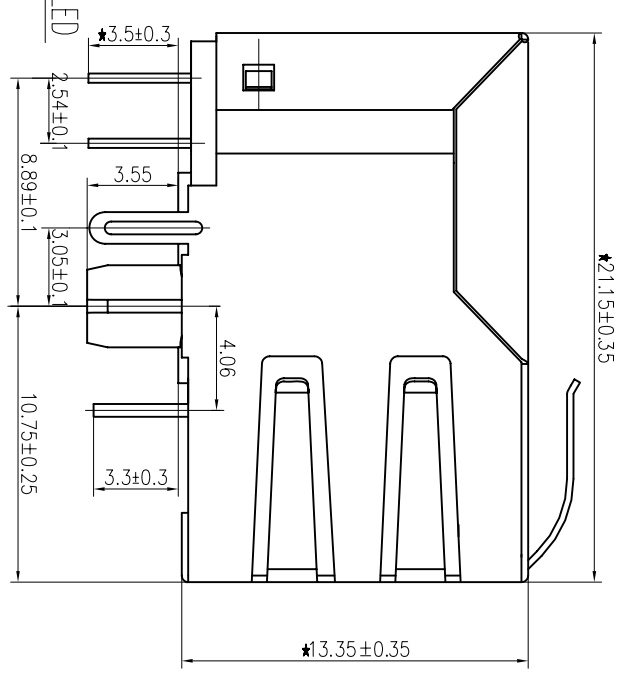
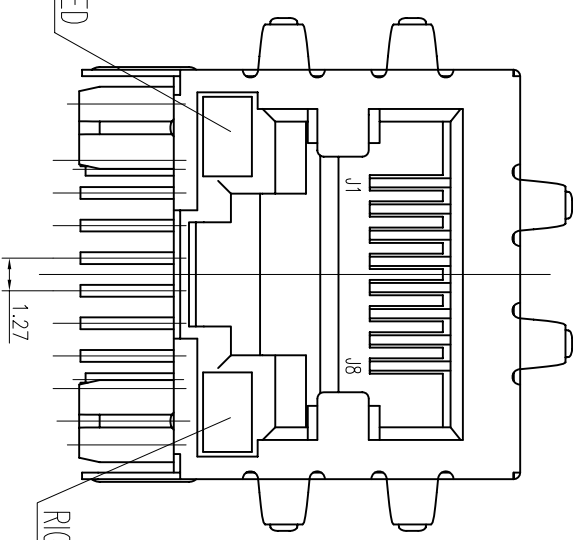
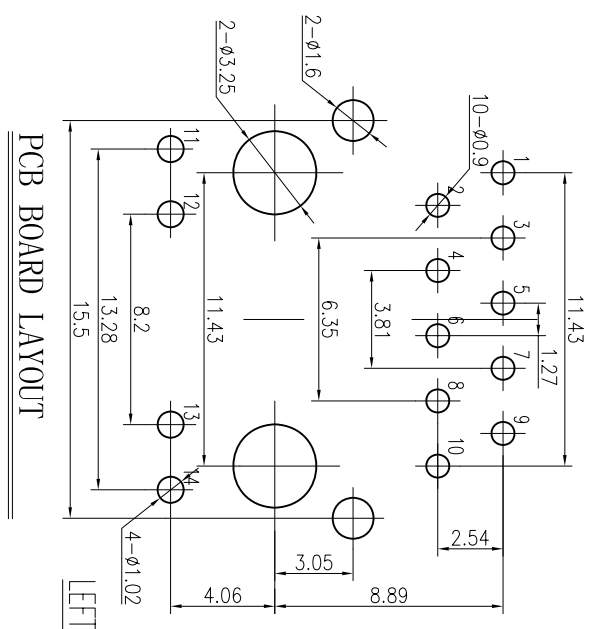
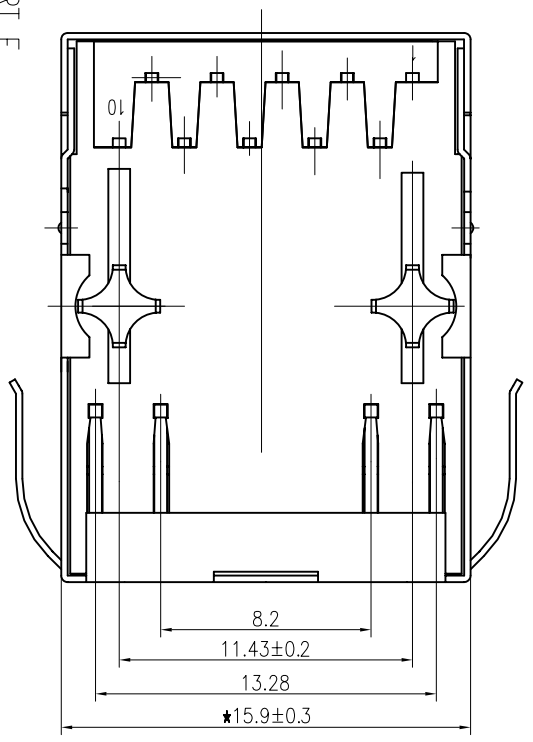
LED Specification

Standard LED Color	LED Wavelength	Forward (V MAX)	Typical (V TYP)	Luminous Intensity
Green	560-580 nm	2.5V	2.1-2.2V	9-25 MCD
Yellow	580-610 nm	2.5V	2.1-2.2V	9-30 MCD
Orange	580-610 nm	2.5V	2.1-2.2V	50-100 MCD

1. LED intensity/wavelength measured with Photo Research PR-650 Colorimeter
2. With a forward current of 20 mA, Absolute Maximum Ratings (T_a=25°C)

Specification:

- 1: TOLERANCES UNLESS OTHERWISE SPECIFIED :
0~10±0.15, 10~20±0.2, 20~40±0.25, 40~70±0.3, ≥70±0.4
- 2: JACK CAVITY CONFORMS TO FCC RULES AND REGULATIONS, PART 68 SUBPART F.



B-TOP® 东莞市博腾电子科技有限公司
Dongguan BroadTop Electronic Technology Co., Ltd.

TEL: 0769-38926198
FAX: 0769-38926199
www.BroadTopTech.com
Website: XW@BroadTopTech.com

Designed: _____
Checked: _____
Approved: _____

MATERIAL: _____
SCALE: 3.5:1
UNIT: mm

DESCRIPTION: B50(02-02)08-09-A123-B52(1X1) B 封装 LED G-Y 4.06 (MM)
REV: V1.1

DESCRIPTION

ELECTRICAL: RJ45 With internal Magnetics Connector

Designed to support such applications as:Ethernet Equipment Complex,Switches,Routers,Firewalls,Servers and Hub Internal magnetics are 100% electrically tested for functionality per IEEE802.3 requirement
RoHS peak wave solder temperature rating 235°C
High performance for maximum EMI suppression
350uH minimum OCL with 8mA bias current

MECHANICAL: JACK CAVITY CONFORMS TO FCC RULES AND REGULATIONS,PART 68 SUBPART F.

INSERTION FORCE: 8 CONTACTS--900g,10 CONTACTS--1050g

RETENTION STRENGTH: 7.7kgs BETWEEN JACK AND PLUG

DURABILITY: 750 MATING CYCLES Min/In

MATERIAL:

- HOUSING: 1) GLASS FILLED PA66 (UL 94V-0)
- 2) GLASS FILLED PA46/PA6T/PA9T/LCP(265°C) (UL 94V-0)
- 3) GLASS FILLED PBT/PA/ABS/PC (UL 94V-0)

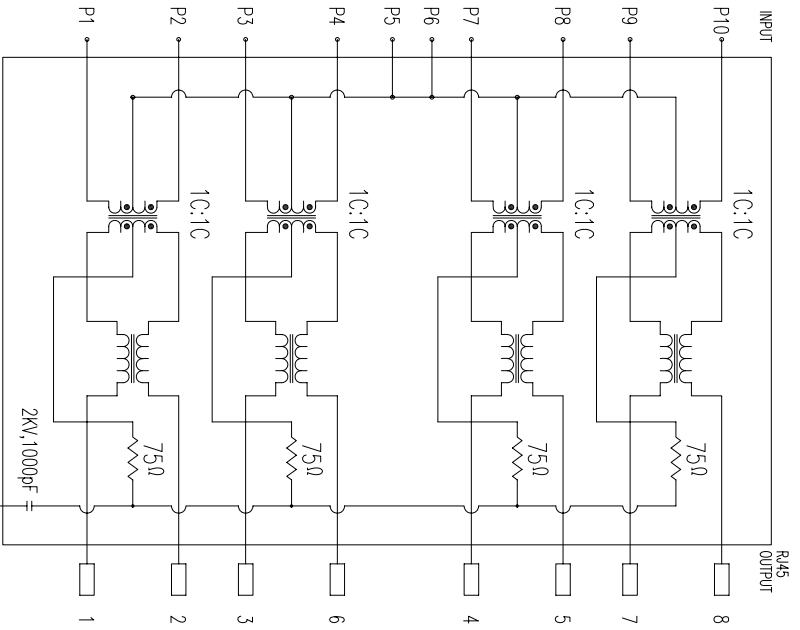
SPRING WIRE: 0.25-0.35mm THICKNESS PHOSPHOR BRONZE ALLOY SELECTIVE GOLD PLATING OVER NICKEL(50-80µm)
OVER TIN(60-120µm)

GOLD PLATING: 3µm, 6µm, 15µm, 30µm, 50µm

SHIELDING: 0.2-0.24mm THICKNESS COPPER ALLOY WITH NICKEL(50-100µm) PLATED

Storage: -40°C~85°C Relative Humidity<70%

Operating: 0°C~70°C



SHIELD

ELECTRICAL SPECIFICATIONS AT 25 °C

Insertion Loss dB max	Return Loss dB min	Crosstalk(dB TYP)	Common Mode Rejection (dB TYP)	Hipot(Vrms)
1-125MHz	1-30MHz	30- 80MHz	1- 100MHz	1500/0.5mA OR 22500/0.1mA
-12	-18	-18+20log(f/30MHz)	-30	

g with the company code

Series of products: RJ45 magnetics RJ45 connector + transformer series(In a shielded footprint); RJ45 and RJ45 connector + transformer series(In vertical footprint); RJ45 + transformer series(50/55/60/65/66/67/69); RJ45 series(50/55/66/67/69) Pin series; 40: Connection and Connector; 80: Series that EX: 91: Automotive connector public block; 92: Automotive connector mother block; 93: IOMI the hardware; IOMI mother block; 95: SIT series; 96: MS for switches

Family code (sequence bit): 1-99

Number of magnetic ring

The No. of circuit

Product definition LOGO: 1- Press LOGO
2-No LOGO ; 3-Other companies LOGO
Product definition plastic materials: 1-PA66 2-PA46
3-PA 4-PA6 5-PBT 6-ABS 7-ABS 8-PC 9-LCP
Pin definition of the product-Pin after B-Pin
back- C-No definition of the product
Electroplating product definition: gold-plated terminals(degree after nickel plated) 1-F
P: *25µ 3-5µ *4.5µ *5-30µ *6-50µ *7-4N(50µ) *8-50µ *9-120µ *1-
Product shielding definition: 0 -no shielding shell; 1 -without shielding shell/shrink; 2 -
shielding a shell/shrink; 3 -a hollow shell; 4 -IT5-shield shell
Products luminous definition: 0- No LED; 1-Left Yellow Right Green; 2-Left Green Right Yellow; 3-Double
Green; 4-Double Yellow; 5-LED straight for the pins; 6-4 special definition; 7-Single Line; 8-LED
Products out part: 1-201 *2-202 *3-205 *4-206 *5-208 *6-209 *7-210 *8-211 *9-212 *10-213
*11-214 *12-215 *13-216 *14-217 *15-218 *16-219 *17-220 *18-221 *19-222 *20-223 *21-224 *22-225 *23-226 *24-227 *25-228 *26-229 *27-230 *28-231 *29-232 *30-233 *31-234 *32-235 *33-236 *34-237 *35-238 *36-239 *37-240 *38-241 *39-242 *40-243 *41-244 *42-245 *43-246 *44-247 *45-248 *46-249 *47-250 *48-251 *49-252 *50-253 *51-254 *52-255 *53-256 *54-257 *55-258 *56-259 *57-260 *58-261 *59-262 *60-263 *61-264 *62-265 *63-266 *64-267 *65-268 *66-269 *67-270 *68-271 *69-272 *70-273 *71-274 *72-275 *73-276 *74-277 *75-278 *76-279 *77-280 *78-281 *79-282 *80-283 *81-284 *82-285 *83-286 *84-287 *85-288 *86-289 *87-290 *88-291 *89-292 *90-293 *91-294 *92-295 *93-296 *94-297 *95-298 *96-299 *97-300 *98-301 *99-302 *100-303 *101-304 *102-305 *103-306 *104-307 *105-308 *106-309 *107-310 *108-311 *109-312 *110-313 *111-314 *112-315 *113-316 *114-317 *115-318 *119-320 *120-321 *121-322 *122-323 *123-324 *124-325 *125-326 *126-327 *127-328 *128-329 *129-330 *130-331 *131-332 *132-333 *133-334 *134-335 *135-336 *136-337 *137-338 *138-339 *139-340 *140-341 *141-342 *142-343 *143-344 *144-345 *145-346 *146-347 *147-348 *148-349 *149-350 *150-351 *151-352 *152-353 *153-354 *154-355 *155-356 *156-357 *157-358 *158-359 *159-360 *160-361 *161-362 *162-363 *163-364 *164-365 *165-366 *166-367 *167-368 *168-369 *169-370 *170-371 *171-372 *172-373 *173-374 *174-375 *175-376 *176-377 *177-378 *178-379 *179-380 *180-381 *181-382 *182-383 *183-384 *184-385 *185-386 *186-387 *187-388 *188-389 *189-390 *190-391 *191-392 *192-393 *193-394 *194-395 *195-396 *196-397 *197-398 *198-399 *199-400 *200-401 *201-402 *202-403 *203-404 *204-405 *205-406 *206-407 *207-408 *208-409 *209-410 *210-411 *211-412 *212-413 *213-414 *214-415 *215-416 *216-417 *217-418 *218-419 *219-420 *220-421 *221-422 *222-423 *223-424 *224-425 *225-426 *226-427 *227-428 *228-429 *229-430 *230-431 *231-432 *232-433 *233-434 *234-435 *235-436 *236-437 *237-438 *238-439 *239-440 *240-441 *241-442 *242-443 *243-444 *244-445 *245-446 *246-447 *247-448 *248-449 *249-450 *250-451 *251-452 *252-453 *253-454 *254-455 *255-456 *256-457 *257-458 *258-459 *259-460 *260-461 *261-462 *262-463 *263-464 *264-465 *265-466 *266-467 *267-468 *268-469 *269-470 *270-471 *271-472 *272-473 *273-474 *274-475 *275-476 *276-477 *277-478 *278-479 *279-480 *280-481 *281-482 *282-483 *283-484 *284-485 *285-486 *286-487 *287-488 *288-489 *289-490 *290-491 *291-492 *292-493 *293-494 *294-495 *295-496 *296-497 *297-498 *298-499 *299-500 *300-501 *301-502 *302-503 *303-504 *304-505 *305-506 *306-507 *307-508 *308-509 *309-510 *310-511 *311-512 *312-513 *313-514 *314-515 *315-516 *316-517 *317-518 *318-519 *319-520 *320-521 *321-522 *322-523 *323-524 *324-525 *325-526 *326-527 *327-528 *328-529 *329-530 *330-531 *331-532 *332-533 *333-534 *334-535 *335-536 *336-537 *337-538 *338-539 *339-540 *340-541 *341-542 *342-543 *343-544 *344-545 *345-546 *346-547 *347-548 *348-549 *349-550 *350-551 *351-552 *352-553 *353-554 *354-555 *355-556 *356-557 *357-558 *358-559 *359-560 *360-561 *361-562 *362-563 *363-564 *364-565 *365-566 *366-567 *367-568 *368-569 *369-570 *370-571 *371-572 *372-573 *373-574 *374-575 *375-576 *376-577 *377-578 *378-579 *379-580 *380-581 *381-582 *382-583 *383-584 *384-585 *385-586 *386-587 *387-588 *388-589 *389-590 *390-591 *391-592 *392-593 *393-594 *394-595 *395-596 *396-597 *397-598 *398-599 *399-600 *400-601 *401-602 *402-603 *403-604 *404-605 *405-606 *406-607 *407-608 *408-609 *409-610 *410-611 *411-612 *412-613 *413-614 *414-615 *415-616 *416-617 *417-618 *418-619 *419-620 *420-621 *421-622 *422-623 *423-624 *424-625 *425-626 *426-627 *427-628 *428-629 *429-630 *430-631 *431-632 *432-633 *433-634 *434-635 *435-636 *436-637 *437-638 *438-639 *439-640 *440-641 *441-642 *442-643 *443-644 *444-645 *445-646 *446-647 *447-648 *448-649 *449-650 *450-651 *451-652 *452-653 *453-654 *454-655 *455-656 *456-657 *457-658 *458-659 *459-660 *460-661 *461-662 *462-663 *463-664 *464-665 *465-666 *466-667 *467-668 *468-669 *469-670 *470-671 *471-672 *472-673 *473-674 *474-675 *475-676 *476-677 *477-678 *478-679 *479-680 *480-681 *481-682 *482-683 *483-684 *484-685 *485-686 *486-687 *487-688 *488-689 *489-690 *490-691 *491-692 *492-693 *493-694 *494-695 *495-696 *496-697 *497-698 *498-699 *499-700 *500-701 *501-702 *502-703 *503-704 *504-705 *505-706 *506-707 *507-708 *508-709 *509-710 *510-711 *511-712 *512-713 *513-714 *514-715 *515-716 *516-717 *517-718 *518-719 *519-720 *520-721 *521-722 *522-723 *523-724 *524-725 *525-726 *526-727 *527-728 *528-729 *529-730 *530-731 *531-732 *532-733 *533-734 *534-735 *535-736 *536-737 *537-738 *538-739 *539-740 *540-741 *541-742 *542-743 *543-744 *544-745 *545-746 *546-747 *547-748 *548-749 *549-750 *550-751 *551-752 *552-753 *553-754 *554-755 *555-756 *556-757 *557-758 *558-759 *559-760 *560-761 *561-762 *562-763 *563-764 *564-765 *565-766 *566-767 *567-768 *568-769 *569-770 *570-771 *571-772 *572-773 *573-774 *574-775 *575-776 *576-777 *577-778 *578-779 *579-780 *580-781 *581-782 *582-783 *583-784 *584-785 *585-786 *586-787 *587-788 *588-789 *589-790 *590-791 *591-792 *592-793 *593-794 *594-795 *595-796 *596-797 *597-798 *598-799 *599-800 *600-801 *601-802 *602-803 *603-804 *604-805 *605-806 *606-807 *607-808 *608-809 *609-810 *610-811 *611-812 *612-813 *613-814 *614-815 *615-816 *616-817 *617-818 *618-819 *619-820 *620-821 *621-822 *622-823 *623-824 *624-825 *625-826 *626-827 *627-828 *628-829 *629-830 *630-831 *631-832 *632-833 *633-834 *634-835 *635-836 *636-837 *637-838 *638-839 *639-840 *640-841 *641-842 *642-843 *643-844 *644-845 *645-846 *646-847 *647-848 *648-849 *649-850 *650-851 *651-852 *652-853 *653-854 *654-855 *655-856 *656-857 *657-858 *658-859 *659-860 *660-861 *661-862 *662-863 *663-864 *664-865 *665-866 *666-867 *667-868 *668-869 *669-870 *670-871 *671-872 *672-873 *673-874 *674-875 *675-876 *676-877 *677-878 *678-879 *679-880 *680-881 *681-882 *682-883 *683-884 *684-885 *685-886 *686-887 *687-888 *688-889 *689-890 *690-891 *691-892 *692-893 *693-894 *694-895 *695-896 *696-897 *697-898 *698-899 *699-900 *900-901 *901-902 *902-903 *903-904 *904-905 *905-906 *906-907 *907-908 *908-909 *909-910 *910-911 *911-912 *912-913 *913-914 *914-915 *915-916 *916-917 *917-918 *918-919 *919-920 *920-921 *921-922 *922-923 *923-924 *924-925 *925-926 *926-927 *927-928 *928-929 *929-930 *930-931 *931-932 *932-933 *933-934 *934-935 *935-936 *936-937 *937-938 *938-939 *939-940 *940-941 *941-942 *942-943 *943-944 *944-945 *945-946 *946-947 *947-948 *948-949 *949-950 *950-951 *951-952 *952-953 *953-954 *954-955 *955-956 *956-957 *957-958 *958-959 *959-960 *960-961 *961-962 *962-963 *963-964 *964-965 *965-966 *966-967 *967-968 *968-969 *969-970 *970-971 *971-972 *972-973 *973-974 *974-975 *975-976 *976-977 *977-978 *978-979 *979-980 *980-981 *981-982 *982-983 *983-984 *984-985 *985-986 *986-987 *987-988 *988-989 *989-990 *990-991 *991-992 *992-993 *993-994 *994-995 *995-996 *996-997 *997-998 *998-999 *999-1000

B-TOP® 东莞市博腾电子科技有限公司
Dongguan BroadTop Electronic Technology Co., Ltd.

FIRST ANGLE PROJECTION		TEL:	0769-38926198	Designed	Checked	MATERIAL	SCALE	UNIT	mm	MODEL NO.	DESCRIPTION	REV.
		FAX:	0769-38926199									

B

A

B

A

