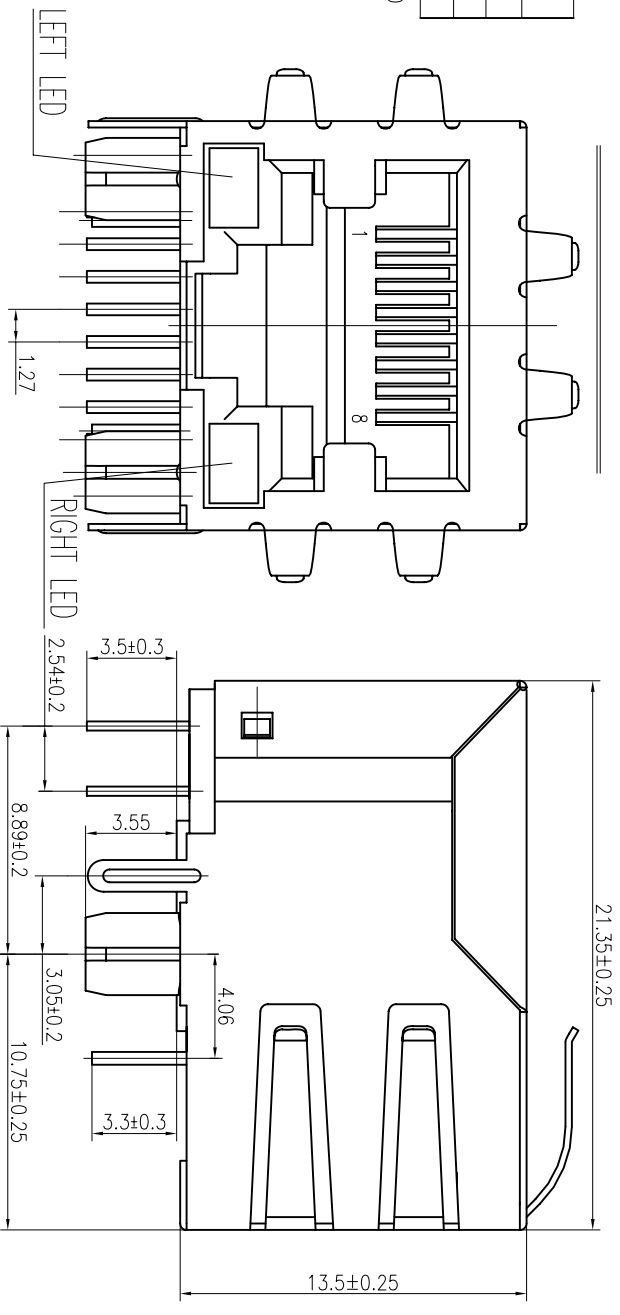
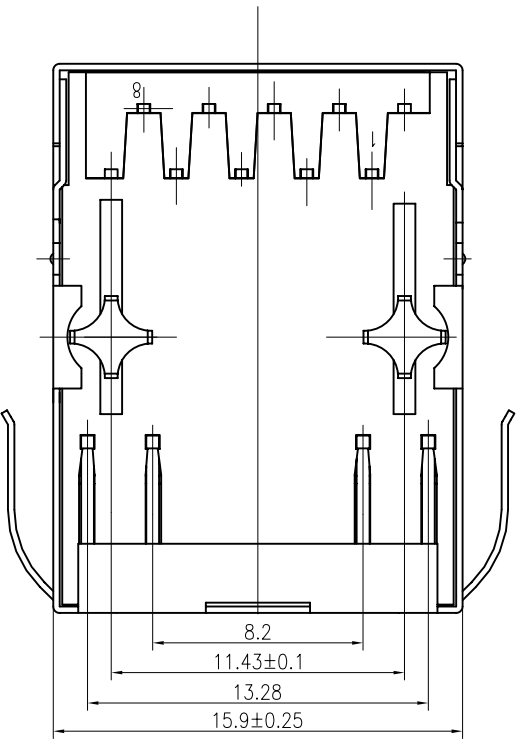
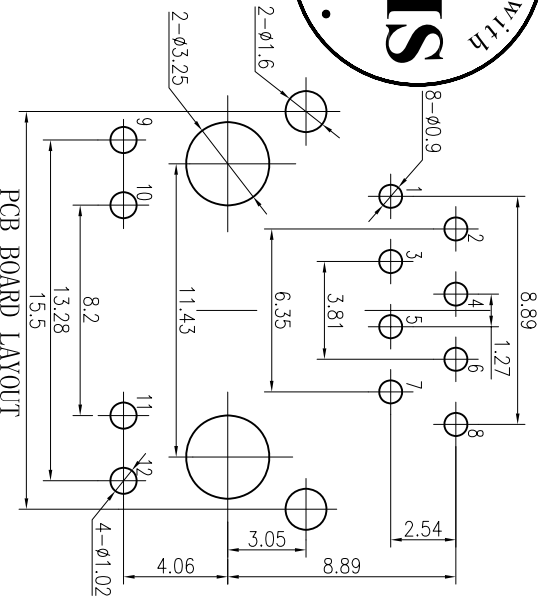


LED Specification

Standard LED Color	LED Wavelength (V MAX)	Typical (V TYP)	Luminous Intensity
Green	560-580 nm	2.1-2.2V	9-25 MCD
Yellow	580-610 nm	2.1-2.2V	9-30 MCD
Orange	580-610 nm	2.1-2.2V	50-100 MCD

1. LED intensity/wavelength measured with Photo Research PR-650 Colormeter
2. With a forward current of 20 mA, Absolute Maximum Ratings ($T_a=25^{\circ}C$)

- 1: TOLERANCES UNLESS OTHERWISE SPECIFIED :
0~10±0.15, 10~20±0.2, 20~40±0.25,
40~70±0.3, >70±0.4
- 2: JACK CAVITY CONFORMS TO FCC RULES AND REGULATIONS, PART 68 SUBPART F.



B-TOP® 东莞博腾电子科技有限公司
Dongguan BroadTop Electronic Technology Co., Ltd.

TEL: 0769-38926198
FAX: 0769-38926199
www.BroadTopTech.com
Website: www.BroadTopTech.com

Designed	Checked	Appr'oved	MATERIAL	DESCRIPTION	MODEL NO.	REV.
				B50(27-39)F4-42A-A223-B52(X1) G-Y 4.06 LED EMI		V1.1
SCALE	UNIT	mm				
3.5:1						

