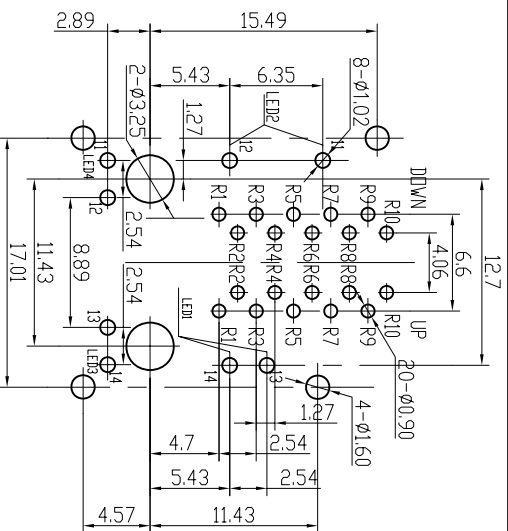
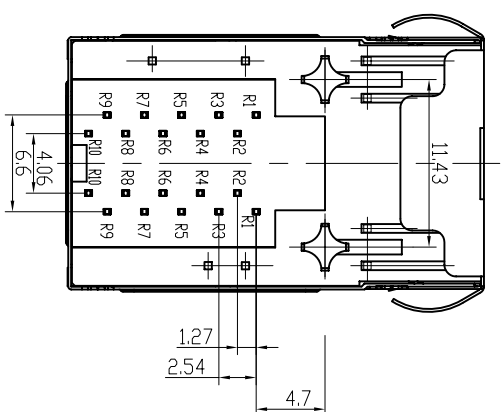


A

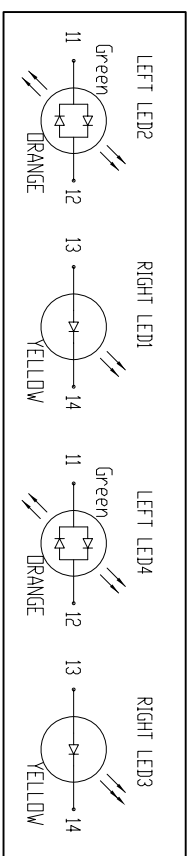


PCB BOARD LAYOUT

1



2

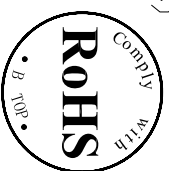
LED Specification

Standard LED Color	LED Wavelength (nm)	Forward Voltage (V MAX)	Typical Voltage (V TYP)	Luminous Intensity (mcd)
Green	560-580 nm	2.5V	2.1-2.2V	9-25 mcd
Yellow	580-610 nm	2.5V	2.1-2.2V	9-30 mcd
Orange	580-610 nm	2.5V	2.1-2.2V	50-100 mcd

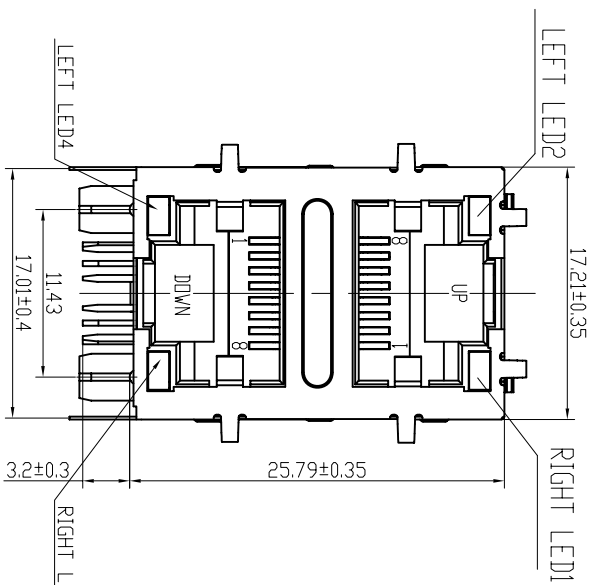
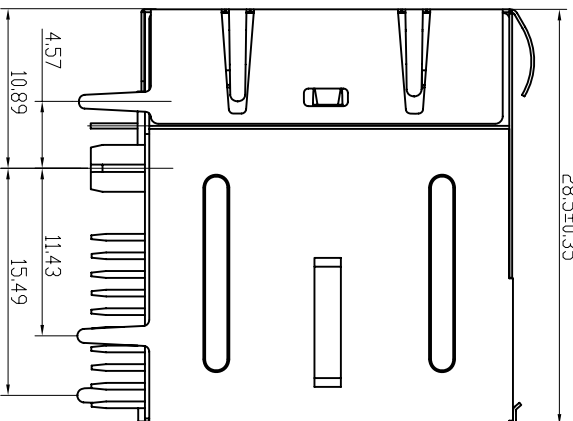
1. LED intensity/wavelength measured with Photo Research PR-650 Colormeter
2. With a forward current of 20 mA, Absolute Maximum Ratings ($T_a=25^{\circ}C$)

Specification:

- 1: TOLERANCES UNLESS OTHERWISE SPECIFIED :
 0~10 \pm 0.15, 10~20 \pm 0.2, 20~40 \pm 0.25,
 40~70 \pm 0.3, >70 \pm 0.4
- 2: JACK CAVITY CONFORMS TO FCC RULES AND REGULATIONS, PART 68 SUBPART F.



B



B-TOP® 东莞博腾电子科技有限公司
 Dongguan BroadTop Electronic Technology Co., Ltd.

FIRST ANGLE PROJECTION



TEL: 0769-38926198
 FAX: 0769-38926199
 Website: www.BroadTech.com
 www.BroadTech.com

Designed

Checked

Approved

MATERIAL

DESCRIPTION B59(48-17)J58-10A-1623-012(2X) EMI GD-Y LED)

SCALE

2:1

UNIT

mm

MODEL NO.

REV.

V1.0

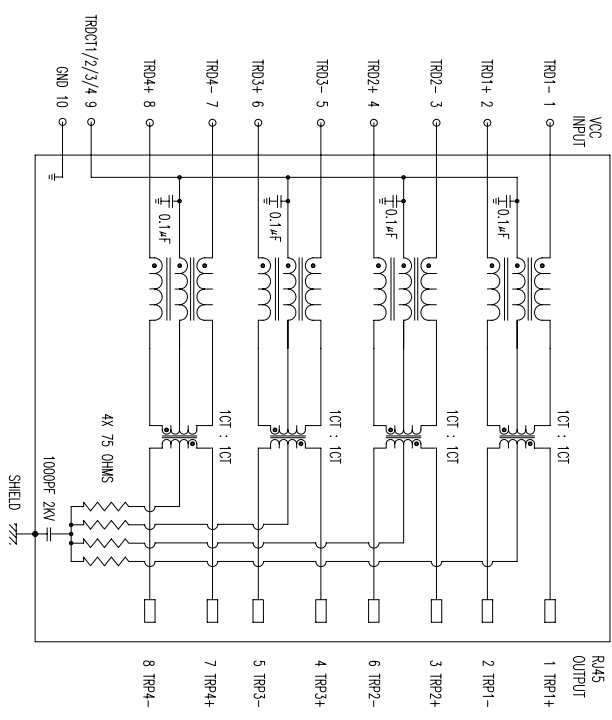
B

A

1

2

SCHMATIC



ELECTRICAL SPECIFICATIONS AT 25 °C

Insertion Loss dB max	Return Loss dB min	Crosstalk(dB TYP)	Common Mode Rejection (dB TYP)	Hypot(Vrms)
1-125MHz	1-30MHz	30-80MHz	1-100MHz	1-100MHz
-1.2	-18	-18+20log(f/30MHz)	-30	-30
				1500/0.5mA OR 2250DC/0.1mA

DESCRIPTION

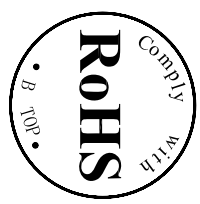
RJ45 With internal Magnetics Connector
 Designed to support such applications as: Ethernet Equipment Complex, Switches, Routers, Firewalls, Servers and Hub
 Internal magnetics are 100% electrically tested for functionality per IEEE802.3 requirement
 RoHS peak wave solder temperature rating 235°C
 High performance for maximum EMI suppression
 350uH minimum OCL with 8mA bias current
 PoE rating: 15W, 350mA, 48V (For PoE Products only)

MECHANICAL:

JACK CAVITY CONFORMS TO FCC RULES AND REGULATIONS, PART 68 SUBPART F.
 INSERTION FORCE: 2 CONTACTS-----350g 4 CONTACTS-----500g
 6 CONTACTS-----750g 8 CONTACTS-----900g
 RETENTION STRENGTH: 7.7Kgs BETWEEN JACK AND PLUG
 DURABILITY: 750 MATING CYCLES Mini

MATERIAL:

HOUSING: 1) GLASS FILLED PA66 (UL 94V-0)
 2) GLASS FILLED PA46/LCP (UL 94V-0)
 3) GLASS FILLED PBT (UL 94V-0)
 SPRING WIRE: 1) 0.2-0.45mm DIA PHOSPHOR BRONZE GOLD PLATING OVER NICKEL
 2) 0.2-0.35mm THICKNESS PHOSPHOR BRONZE ALLOY SELECTIVE GOLD PLATING OVER NICKEL
 SHIELDING: 0.12-0.24mm THICKNESS COPPER ALLOY WITH TIN PLATED
 GOLD PLATING: 3µ", 6µ", 15µ", 30µ", 50µ"
 WORKING TEMPERATURE: -20°C~70°C
 TOLERANCES UNLESS OTHERWISE SPECIFIED : 0~10±0.15, 10~20±0.2, 20~40±0.25, 40~70±0.3, >70±0.4



B-TOP 东莞市博腾电子科技有限公司
 Dongguan BroadTop Electronic Technology Co., Ltd.

FIRST ANGLE PROJECTION	TEL: 0769-38926198	Designed	Checked	MATERIAL	SCALE 1.8:1	UNIT mm	MODEL NO.	REV.
	FAX: 0769-38926199							
	Website: www.BroadTopTech.com						B80020001011	

"g" with the company code
 Series of products: re-joinable desk RJ45 connector + transformer series (in shielding footprint); 80-pinable desk RJ45 connector + transformer series (in vertical footprint); 20-pin Single RJ45 + transformer series; 52/53/55/56 LED/56/57/59; Octadary RJ45 series; 50k; thin strip line series; 40; Conversion and Connectivity; 80; Series that UK; 91; Automotive connector module Block; 92; HDMI the head; 94; HDMI mother Block; 95; SM series; 96; MS for switches
Family code (sequence id): 1-99
 The type of product code: G: Gigabit RJ45 transformer; F: 10base RJ45 transformer; B: 10/100 transformer; R: RJ45; S: 80 pinable; C: shield code
Number of magnetic ring
The No. of circuit

Product definition LOGO: 1 - Press 'B'-TOP'-2- No 'B'-TOP'-3- Other companies LOGO
 Product definition plastic materials: 1-F-PA66 2-P-PA46, 3-PA, 4-PA6, 5-PBT, 6-ABS, 7-PA9T, 8-PC
 Pin definition of the product: F-Pin after: B-Pin back-C- No definition of the product.
 Electroplating product definition: gold-plated terminals (degrees after nickel plated) 1-F µ" : 2-3 µ" : 3-5 µ" : 4-15 µ" : 5-30 µ" : 6-50 µ" : 7-100 µ" : 8-120 µ"
 Product shielding definition: 0 - no shielding shell; 1 - without shielding shell; 2 - shielding a shell; 3 - a half-shield shell; 4 - a full-shield shell.
 Products luminous definition: 0 - No LED; 1 - Left Yellow Right Green; 2 - Left Green Right Yellow; 3 - Double Green; 4 - Double Yellow; 5 - LED straight for the pin; 6 - Special definition; 7 - Single LED
 Products out part: 1-20" 2-20" 4-24" 5-23" 6-20" 8-24" 9-11" B-112" C-14" D-115" E-118" F-118" G-108(RA45) P-118 RP1X" H-118 RP1X" K-118 RP1X" L-118 RP1X"

BT G8-10A(三抽头)