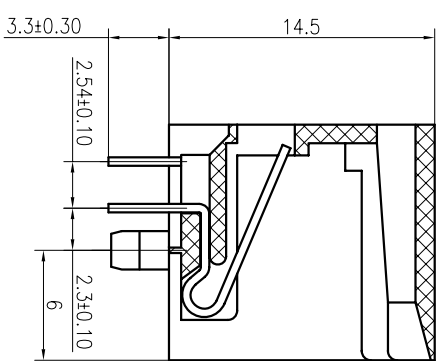
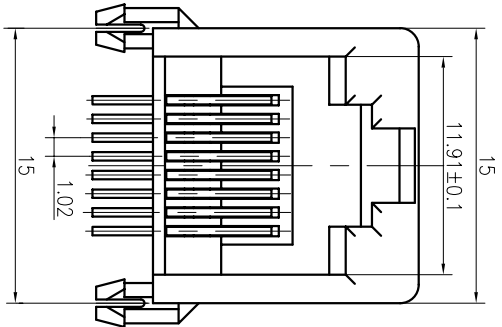
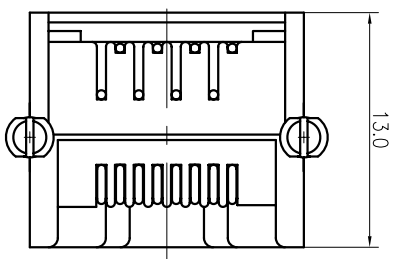


PC Board Layout



NOTICE

ELECTRICAL:

CURRENT RATING: 15A VOLTAGE RATING: 125V AC
 INSULATION RESISTANCE: 500MΩ Min
 WITHSTAND VOLTAGE: AC 1500 V RMS 50Hz OR 60Hz 1Min
 CONTACT RESISTANCE: 20mΩ Max

MECHANICAL:

INSERTION FORCE: 2 CONTACTS-----350g, 4 CONTACTS-----500g,
 6 CONTACTS-----750g, 8 CONTACTS-----900g, 10 CONTACTS-----1050g ;
 RETENTION STRENGTH: 7.7kg BETWEEN JACK AND PLUG
 DURABILITY: 750 MATING CYCLES Min ;

MATERIAL:

HOUSING: 1) GLASS FILLED PA66 (UL 94V-0); 2) GLASS FILLED PA46 (UL 94V-0)
 3) GLASS FILLED PBT (UL 94V-0)

SPRING WIRE: 1) 0.45mm DIA PHOSPHOR BRONZE GOLD PLATING OVER NICKEL

2) 0.35mm THICKNESS PHOSPHOR BRONZE ALLOY SELECTIVE GOLD PLATING OVER NICKEL

SHIELDING: 0.25mm THICKNESS COPPER ALLOY WITH TIN PLATED

GOLD PLATING: 3μ", 6μ", 15μ", 30μ", 50μ"

WORKING TEMPERATURE: -40°C~70°C

TOLERANCES UNLESS OTHERWISE SPECIFIED: 0~10±0.15, 10~20±0.2,
 20~40±0.25, 40~70±0.3, >70±0.4

B N Z G A B C D E H I

"B" with the company code
 Series of products: 98; Double RJ45 -
 RJ45 transformer series: 50; Single RJ45 -
 transformer series: 52; 53; 59; 60; 61; 62; 63;
 64; 65; 66; 67; 68; 69; 70; 71; 72; 73;
 74; 75; 76; 77; 78; 79; 80;
 Series: 81; Conversion shield connector 80;
 Series: 81; Conversion shield connector
 public Block: 92; Automotive connector rubber
 Block: 93; IBM the header; IBM mother
 Block: 94; 95; 96; 97; 98; 99; 100;
 Block: 98; 99; 100 series: 98; 99; 100 series for switches

Family code (sequence ID): 1-109

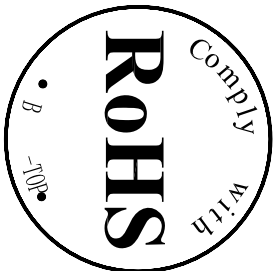
Type of product code: C: Right RJ45 transformer; F: Double
 RJ45 transformer; I: for no transformer RJ45 products; Y: Series
 for board-mounted code; B: Series for board-mounted code

Product code P14 P24 P34 P44 P54 P64 P74 P84 P94 P04
 P15 P25 P35 P45 P55 P65 P75 P85 P95 P05
 P16 P26 P36 P46 P56 P66 P76 P86 P96 P06
 P17 P27 P37 P47 P57 P67 P77 P87 P97 P07
 P18 P28 P38 P48 P58 P68 P78 P88 P98 P08
 P19 P29 P39 P49 P59 P69 P79 P89 P99 P09
 P20 P30 P40 P50 P60 P70 P80 P90 P00
 P21 P31 P41 P51 P61 P71 P81 P91 P11
 P22 P32 P42 P52 P62 P72 P82 P92 P22
 P23 P33 P43 P53 P63 P73 P83 P93 P33
 P24 P34 P44 P54 P64 P74 P84 P94 P44
 P25 P35 P45 P55 P65 P75 P85 P95 P55
 P26 P36 P46 P56 P66 P76 P86 P96 P66
 P27 P37 P47 P57 P67 P77 P87 P97 P77
 P28 P38 P48 P58 P68 P78 P88 P98 P88
 P29 P39 P49 P59 P69 P79 P89 P99 P99
 P30 P40 P50 P60 P70 P80 P90 P00
 P31 P41 P51 P61 P71 P81 P91 P11
 P32 P42 P52 P62 P72 P82 P92 P22
 P33 P43 P53 P63 P73 P83 P93 P33
 P34 P44 P54 P64 P74 P84 P94 P44
 P35 P45 P55 P65 P75 P85 P95 P55
 P36 P46 P56 P66 P76 P86 P96 P66
 P37 P47 P57 P67 P77 P87 P97 P77
 P38 P48 P58 P68 P78 P88 P98 P88
 P39 P49 P59 P69 P79 P89 P99 P99
 P40 P50 P60 P70 P80 P90 P00
 P41 P51 P61 P71 P81 P91 P11
 P42 P52 P62 P72 P82 P92 P22
 P43 P53 P63 P73 P83 P93 P33
 P44 P54 P64 P74 P84 P94 P44
 P45 P55 P65 P75 P85 P95 P55
 P46 P56 P66 P76 P86 P96 P66
 P47 P57 P67 P77 P87 P97 P77
 P48 P58 P68 P78 P88 P98 P88
 P49 P59 P69 P79 P89 P99 P99
 P50 P60 P70 P80 P90 P00
 P51 P61 P71 P81 P91 P11
 P52 P62 P72 P82 P92 P22
 P53 P63 P73 P83 P93 P33
 P54 P64 P74 P84 P94 P44
 P55 P65 P75 P85 P95 P55
 P56 P66 P76 P86 P96 P66
 P57 P67 P77 P87 P97 P77
 P58 P68 P78 P88 P98 P88
 P59 P69 P79 P89 P99 P99
 P60 P70 P80 P90 P00
 P61 P71 P81 P91 P11
 P62 P72 P82 P92 P22
 P63 P73 P83 P93 P33
 P64 P74 P84 P94 P44
 P65 P75 P85 P95 P55
 P66 P76 P86 P96 P66
 P67 P77 P87 P97 P77
 P68 P78 P88 P98 P88
 P69 P79 P89 P99 P99
 P70 P80 P90 P00
 P71 P81 P91 P11
 P72 P82 P92 P22
 P73 P83 P93 P33
 P74 P84 P94 P44
 P75 P85 P95 P55
 P76 P86 P96 P66
 P77 P87 P97 P77
 P78 P88 P98 P88
 P79 P89 P99 P99
 P80 P90 P00
 P81 P91 P11
 P82 P92 P22
 P83 P93 P33
 P84 P94 P44
 P85 P95 P55
 P86 P96 P66
 P87 P97 P77
 P88 P98 P88
 P89 P99 P99
 P90 P00
 P91 P11
 P92 P22
 P93 P33
 P94 P44
 P95 P55
 P96 P66
 P97 P77
 P98 P88
 P99 P99
 P00 P00

Product definition LOGO: 1 - Press B--TOP
 *2-No B--TOP; 3- Other companies LOGO
 Product definition classic materials: 1-P46, 2-P46, 3-P46
 4-P46, 5-P46, 6-SBT, 7-SBT, 8-SBT, 9-SBT, 10-SBT, 11-SBT, 12-SBT, 13-SBT, 14-SBT, 15-SBT, 16-SBT, 17-SBT, 18-SBT, 19-SBT, 20-SBT, 21-SBT, 22-SBT, 23-SBT, 24-SBT, 25-SBT, 26-SBT, 27-SBT, 28-SBT, 29-SBT, 30-SBT, 31-SBT, 32-SBT, 33-SBT, 34-SBT, 35-SBT, 36-SBT, 37-SBT, 38-SBT, 39-SBT, 40-SBT, 41-SBT, 42-SBT, 43-SBT, 44-SBT, 45-SBT, 46-SBT, 47-SBT, 48-SBT, 49-SBT, 50-SBT, 51-SBT, 52-SBT, 53-SBT, 54-SBT, 55-SBT, 56-SBT, 57-SBT, 58-SBT, 59-SBT, 60-SBT, 61-SBT, 62-SBT, 63-SBT, 64-SBT, 65-SBT, 66-SBT, 67-SBT, 68-SBT, 69-SBT, 70-SBT, 71-SBT, 72-SBT, 73-SBT, 74-SBT, 75-SBT, 76-SBT, 77-SBT, 78-SBT, 79-SBT, 80-SBT, 81-SBT, 82-SBT, 83-SBT, 84-SBT, 85-SBT, 86-SBT, 87-SBT, 88-SBT, 89-SBT, 90-SBT, 91-SBT, 92-SBT, 93-SBT, 94-SBT, 95-SBT, 96-SBT, 97-SBT, 98-SBT, 99-SBT, 100-SBT

Pin definition of the product: Pin after B-Pin
 back: C-No definition of the product

Electroplating product definition: gold-plated terminals/degrees after nickel plating: 1F
 #: * 23μ" * 25μ" * 45μ" * 53μ" * 65μ" * 74μ" 50μ" * 51μ" 120μ" * 13μ"
 Product shielding definition: 0 - no shielding shell; 1 - without shielding shell
 straight; 2 - shielding a shell straight; 3 - a half-shield shell



东莞市博腾电子科技有限公司
 Dongguan Btop Electronic Technology Co., Ltd.

FIRST ANGLE PROJECTION
 TEL: 0769-38926198
 FAX: 0769-38926199
 Website: http://www.btoptech.com

Designed
 Checked
 Approved

MATERIAL	SCALE	UNIT	MODEL NO.
	2.5:1	mm	

B55(04-01)W-A002-C5115521 8P8(C)
 REV. V1.1