

Specification
 1:TOLERANCES UNLESS OTHERWISE SPECIFIED :
 0~10±0.15, 10~20±0.2, 20~40±0.25,
 40~70±0.3, >70±0.4
 2:JACK CAVITY CONFORMS TO FCC RULES AND
 REGULATIONS,PART 68 SUBPART F.

B-TOP 东莞市博腾电子科技有限公司
 Dongguan BroadTop Electronic Technology Co., Ltd.

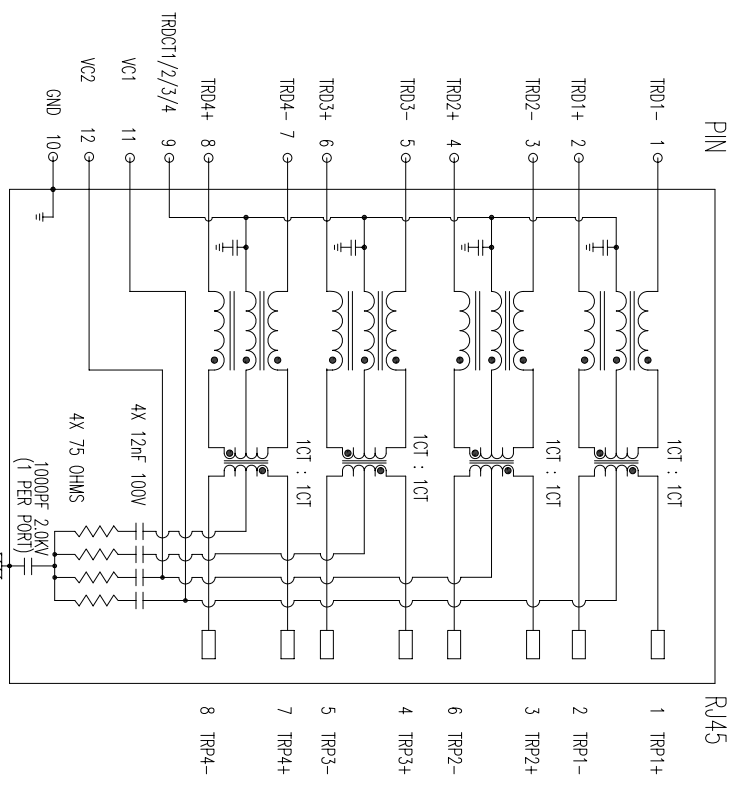
FIRST ANGLE PROJECTION		TEL: 0769-38926199	Checked	MATERIAL	SCALE 1:1	UNIT mm	MODEL NO.	DESCRIPTION	REV.
		FAX: 0769-38926199	Approved						
Website		www.BroadTop.com							

B

A

B

A



ELECTRICAL SPECIFICATIONS AT 25 °C

Insertion Loss dB max	Return Loss dB min	Crosstalk (db TYP)	Common Mode Rejection (dB TYP)	Hypok(vrms)
1-100MHz	1-30MHz 30-60MHz 60-100MHz	1-30MHz 30-60MHz 60-100MHz 1-100MHz	1-100MHz	1500/0.5mA
-10	-18	-16	-12	-40
				-35
				-30
				-30

DESCRIPTION

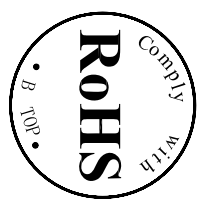
RJ45 With Internal Magnetics Connector

Designed to support such applications as: Ethernet Equipment Complex, Switches, Routers, Firewalls, Servers and Hub Internal magnetics are 100% electrically tested for functionality per IEEE802.3 requirement

RoHS peak wave solder temperature rating 235°C
High performance for maximum EMI suppression
350uH minimum OCL with 8mA bias current
PoE rating: 15W, 350mA, 48V (For PoE Products only)

ELECTRICAL:
JACK CAVITY CONFORMS TO FCC RULES AND REGULATIONS, PART 68 SUBPART F.
INSERTION FORCE: 2 CONTACTS-----350g 4 CONTACTS-----500g
6 CONTACTS-----750g 8 CONTACTS-----900g
10 CONTACTS-----1050g
MECHANICAL:
RETENTION STRENGTH: 7.7Kgs BETWEEN JACK AND PLUG
DURABILITY: 750 MATING CYCLES Mini
HOUSING: 1) GLASS FILLED PA66 (UL 94V-0)
2) GLASS FILLED PA46/LCP (UL 94V-0)
3) GLASS FILLED PBT (UL 94V-0)

MATERIAL:
SPRING WIRE: 1) 0.2-0.45mm DIA PHOSPHOR BRONZE GOLD PLATING OVER NICKEL
2) 0.2-0.35mm THICKNESS PHOSPHOR BRONZE ALLOY SELECTIVE GOLD PLATING OVER NICKEL
SHIELDING: 0.12-0.24mm THICKNESS COPPER ALLOY WITH TIN PLATED
GOLD PLATING: 3µm, 6µm, 15µm, 30µm, 50µm
WORKING TEMPERATURE: -20°C~70°C
TOLERANCES UNLESS OTHERWISE SPECIFIED : 0~10±0.15, 10~20±0.2, 20~40±0.25, 40~70±0.3, >70±0.4



"g" with the company code
Series of products: 60/Double deck RJ45 connector + transformer series(In shielding footprint); 80/Double deck RJ45 connector + transformer series(In vertical footprint); 30/Single RJ45 + transformer series; 52/52/56/56 129/56/57/59; Ordinary RJ45 series; 53; that start line series; 40; Conversion start
Connectivity: 80; Series that UK 91; Automotive connector public Block; 52; Automatic connector module Block; 55; HDMI the head; 54; HDMI module Block; 55; SMT series; 56; MHS for services
Family code (sequence id) : 1-99
Type of product code: G: Gigabit RJ45 transformer; P: PoE RJ45 transformer; R: for no transformer RJ45 products; B: Series for non-reversed side

Product definition LOGO: 1 - Press "B", "TOP" * 2 - No "B" - "TOP" * 3 - Other companies LOGO
Product definition plastic materials: 1-P, PA66, 2-PA66, 3-PA, 4-PA6, 5-PBT, 6-ABS, 7-PA9T, 8-PC
Pin definition of the product: F - Pin after, B - Pin back, C - No definition of the product
Electroplating product definition: gold-plated terminals (depress after nickel plated) 1-F µm * 2-3 µm * 3-5 µm * 4-15 µm * 5-30 µm * 6-50 µm * 7-4N-50 µm * 8-80-120 µm *
Product shielding definition: 0 - no shielding shell, 1 - without shielding shell, 2 - shielding a shell, 3 - a half-shield shell
Products luminous definition: 0 - No LED, 1 - 4in Yellow Right Green, 2 - Left Green Right Yellow, 3 - Double Green, 4 - Double Yellow, 5 - LED straight for the pin, C - A special definition, 7 - 5 in 6 in
Literal LEDs
Products out part: "20T" "20Z" "4-24" "5-25" "6-26" "8-28" "A-31T" "B-12" "C-14" "D-15" "E-18" "1-18" "U-(88/84/5)" "P-118" "U-PIN" "H-118" "U-PIN2" "K-118" "U-PIN4"

B-TOP® 东莞博腾电子科技有限公司
Dongguan BroadTop Electronic Technology Co., Ltd.

FIRST ANGLE PROJECTION		TEL: 0769-38926198	Designed	Checked	MATERIAL	DESCRIPTION	REV.
		FAX: 0769-38926199					
Website: www.BroadTopTech.com							

BT GP8-19