

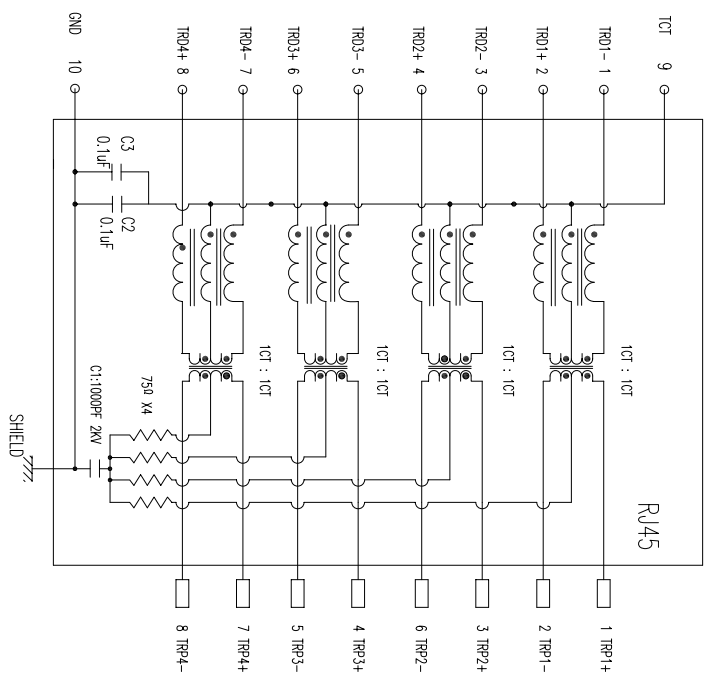
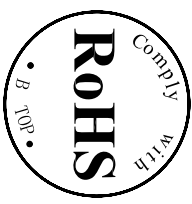
DESCRIPTION

RJ45 With internal Magnetics Connector
 Designed to support such applications as: Ethernet Equipment Complex, Switches, Routers, Firewalls, Servers and Hub
 Internal magnetics are 100% electrically tested for functionality per IEEE802.3 requirement

ELECTRICAL: RoHS peak wave solder temperature rating 235°C
 High performance for maximum EMI suppression
 350uH minimum OCL with 8mA bias current; DCR: 1.4 Ohms Max
 HIPOT: 1.5kVrms MIN, 60S; TURN RATIO: 1:1 ± 3%
 POE rating: 15W, 350mA, 48V (For PoE Products only)
 JACK CAVITY CONFORMS TO FCC RULES AND REGULATIONS, PART 68 SUBPART F.

MECHANICAL:
 INSERTION FORCE: 2 CONTACTS-----350g 4 CONTACTS-----500g
 6 CONTACTS-----750g 8 CONTACTS-----900g
 10 CONTACTS-----1050g
 RETENTION STRENGTH: 7.7kgs BETWEEN JACK AND PLUG
 DURABILITY: 750 MATING CYCLES Min

HOUSING: 1) GLASS FILLED PA66 (UL 94V-0)
 2) GLASS FILLED PA46/LCP (UL 94V-0)
 3) GLASS FILLED PBT (UL 94V-0)
SPRING WIRE: 1) 0.2-0.45mm DIA PHOSPHOR BRONZE GOLD PLATING OVER NICKEL
 2) 0.2-0.35mm THICKNESS PHOSPHOR BRONZE ALLOY SELECTIVE GOLD PLATING OVER NICKEL
SHIELDING: 0.12-0.24mm THICKNESS COPPER ALLOY WITH TIN PLATED
GOLD PLATING: 3µ", 6µ", 15µ", 30µ", 50µ"
WORKING TEMPERATURE: -40°C~85°C
TOLERANCES UNLESS OTHERWISE SPECIFIED : 0-10±0.15, 10-20±0.2, 20-40±0.25, 40-70±0.3, >70±0.4



ELECTRICAL SPECIFICATIONS AT 25 °C

Insertion Loss dB max	Return Loss dB min	Crosstalk (db TTP)	Common Mode Rejection (dB TTP)	Hipot(Vrms)
1-125MHz	30-80MHz	1-100MHz	1-100MHz	1500/0.5mA OR 22500C/0.1mA
-1.2	-18	-18+20log(f/30MHz)	-30	-30

"g" with the company code
 Series of products: 60-double deck RJ45 connector + transformer series (in side long footprint); 50-double deck RJ45 connector + transformer series (in vertical footprint); 50- Single RJ45 + transformer series; 52/53/55/56 (E)/56/57/59; Ordinary RJ45 series; IDC; that strip line series; 40; Conversion said Connectivity 80; Series that UK; 91; Automotive connector public Block-92; Automotive connector mother Block-93; IEMI the head-94; IEMI mother Block-95; SWT series; 96; BIS for switches
Family code (sequence id): 1-99
 Type of product code: G: Gigabit RJ45 transformer; F: 100Base RJ45 transformer;
 K: for a transformer RJ45 products; H: Series for high-temperature code
Number of magnetic ring
The No. of circuit

Product definition LOGO: 1 - Press "B"-TOP"-2- No "B"-TOP"; 3 - Other companies LOGO
 Product definition plastic materials: 1-P,66,2-P,66,3-P,4,4-P,66,5-S,PBT,6-A,6S,7-P,69T,8-P,C,9--LCP
 Pin definition of the product: P-Pin back C- No definition of the product
 Electroplating product definition: gold-plated terminals/degrees after nickel plated) "4F" " " 2.3µ" " 3.5µ" " 4.15µ" " 5.30µ" " 6.50µ" " 7.4µ" 8-50µ"
 "S"-80-120µ" ")
 Product shielding definition: 0 - no shielding shell; 1 - without shielding shell
 strapnet; 2 - shielding a small strapnet; 3 - a half-shield shell
 Products luminous definition: 0 - No LED; 1 -Left Yellow Right Green; 2 -Left Green Right Yellow;
 3 - Double Green; 4 - Double Yellow; 5 - LED straight for the pin; 6 - a special definition; 7 - Shine the
 Linear LEDs
 Products out port: "1-24T" "2-24T" "3-24T" "4-24T" "5-24T" "6-24T" "7-24T" "8-12T" "9-12T" "10-12T" "11-12T" "12-12T" "13-12T" "14-12T" "15-12T" "16-12T" "17-12T" "18-12T" "19-12T" "20-12T" "21-12T" "22-12T" "23-12T" "24-12T" "25-12T" "26-12T" "27-12T" "28-12T" "29-12T" "30-12T" "31-12T" "32-12T" "33-12T" "34-12T" "35-12T" "36-12T" "37-12T" "38-12T" "39-12T" "40-12T" "41-12T" "42-12T" "43-12T" "44-12T" "45-12T" "46-12T" "47-12T" "48-12T" "49-12T" "50-12T" "51-12T" "52-12T" "53-12T" "54-12T" "55-12T" "56-12T" "57-12T" "58-12T" "59-12T" "60-12T" "61-12T" "62-12T" "63-12T" "64-12T" "65-12T" "66-12T" "67-12T" "68-12T" "69-12T" "70-12T" "71-12T" "72-12T" "73-12T" "74-12T" "75-12T" "76-12T" "77-12T" "78-12T" "79-12T" "80-12T" "81-12T" "82-12T" "83-12T" "84-12T" "85-12T" "86-12T" "87-12T" "88-12T" "89-12T" "90-12T" "91-12T" "92-12T" "93-12T" "94-12T" "95-12T" "96-12T" "97-12T" "98-12T" "99-12T" "100-12T" "101-12T" "102-12T" "103-12T" "104-12T" "105-12T" "106-12T" "107-12T" "108-12T" "109-12T" "110-12T" "111-12T" "112-12T" "113-12T" "114-12T" "115-12T" "116-12T" "117-12T" "118-12T" "119-12T" "120-12T" "121-12T" "122-12T" "123-12T" "124-12T" "125-12T" "126-12T" "127-12T" "128-12T" "129-12T" "130-12T" "131-12T" "132-12T" "133-12T" "134-12T" "135-12T" "136-12T" "137-12T" "138-12T" "139-12T" "140-12T" "141-12T" "142-12T" "143-12T" "144-12T" "145-12T" "146-12T" "147-12T" "148-12T" "149-12T" "150-12T" "151-12T" "152-12T" "153-12T" "154-12T" "155-12T" "156-12T" "157-12T" "158-12T" "159-12T" "160-12T" "161-12T" "162-12T" "163-12T" "164-12T" "165-12T" "166-12T" "167-12T" "168-12T" "169-12T" "170-12T" "171-12T" "172-12T" "173-12T" "174-12T" "175-12T" "176-12T" "177-12T" "178-12T" "179-12T" "180-12T" "181-12T" "182-12T" "183-12T" "184-12T" "185-12T" "186-12T" "187-12T" "188-12T" "189-12T" "190-12T" "191-12T" "192-12T" "193-12T" "194-12T" "195-12T" "196-12T" "197-12T" "198-12T" "199-12T" "200-12T" "201-12T" "202-12T" "203-12T" "204-12T" "205-12T" "206-12T" "207-12T" "208-12T" "209-12T" "210-12T" "211-12T" "212-12T" "213-12T" "214-12T" "215-12T" "216-12T" "217-12T" "218-12T" "219-12T" "220-12T" "221-12T" "222-12T" "223-12T" "224-12T" "225-12T" "226-12T" "227-12T" "228-12T" "229-12T" "230-12T" "231-12T" "232-12T" "233-12T" "234-12T" "235-12T" "236-12T" "237-12T" "238-12T" "239-12T" "240-12T" "241-12T" "242-12T" "243-12T" "244-12T" "245-12T" "246-12T" "247-12T" "248-12T" "249-12T" "250-12T" "251-12T" "252-12T" "253-12T" "254-12T" "255-12T" "256-12T" "257-12T" "258-12T" "259-12T" "260-12T" "261-12T" "262-12T" "263-12T" "264-12T" "265-12T" "266-12T" "267-12T" "268-12T" "269-12T" "270-12T" "271-12T" "272-12T" "273-12T" "274-12T" "275-12T" "276-12T" "277-12T" "278-12T" "279-12T" "280-12T" "281-12T" "282-12T" "283-12T" "284-12T" "285-12T" "286-12T" "287-12T" "288-12T" "289-12T" "290-12T" "291-12T" "292-12T" "293-12T" "294-12T" "295-12T" "296-12T" "297-12T" "298-12T" "299-12T" "300-12T" "301-12T" "302-12T" "303-12T" "304-12T" "305-12T" "306-12T" "307-12T" "308-12T" "309-12T" "310-12T" "311-12T" "312-12T" "313-12T" "314-12T" "315-12T" "316-12T" "317-12T" "318-12T" "319-12T" "320-12T" "321-12T" "322-12T" "323-12T" "324-12T" "325-12T" "326-12T" "327-12T" "328-12T" "329-12T" "330-12T" "331-12T" "332-12T" "333-12T" "334-12T" "335-12T" "336-12T" "337-12T" "338-12T" "339-12T" "340-12T" "341-12T" "342-12T" "343-12T" "344-12T" "345-12T" "346-12T" "347-12T" "348-12T" "349-12T" "350-12T" "351-12T" "352-12T" "353-12T" "354-12T" "355-12T" "356-12T" "357-12T" "358-12T" "359-12T" "360-12T" "361-12T" "362-12T" "363-12T" "364-12T" "365-12T" "366-12T" "367-12T" "368-12T" "369-12T" "370-12T" "371-12T" "372-12T" "373-12T" "374-12T" "375-12T" "376-12T" "377-12T" "378-12T" "379-12T" "380-12T" "381-12T" "382-12T" "383-12T" "384-12T" "385-12T" "386-12T" "387-12T" "388-12T" "389-12T" "390-12T" "391-12T" "392-12T" "393-12T" "394-12T" "395-12T" "396-12T" "397-12T" "398-12T" "399-12T" "400-12T" "401-12T" "402-12T" "403-12T" "404-12T" "405-12T" "406-12T" "407-12T" "408-12T" "409-12T" "410-12T" "411-12T" "412-12T" "413-12T" "414-12T" "415-12T" "416-12T" "417-12T" "418-12T" "419-12T" "420-12T" "421-12T" "422-12T" "423-12T" "424-12T" "425-12T" "426-12T" "427-12T" "428-12T" "429-12T" "430-12T" "431-12T" "432-12T" "433-12T" "434-12T" "435-12T" "436-12T" "437-12T" "438-12T" "439-12T" "440-12T" "441-12T" "442-12T" "443-12T" "444-12T" "445-12T" "446-12T" "447-12T" "448-12T" "449-12T" "450-12T" "451-12T" "452-12T" "453-12T" "454-12T" "455-12T" "456-12T" "457-12T" "458-12T" "459-12T" "460-12T" "461-12T" "462-12T" "463-12T" "464-12T" "465-12T" "466-12T" "467-12T" "468-12T" "469-12T" "470-12T" "471-12T" "472-12T" "473-12T" "474-12T" "475-12T" "476-12T" "477-12T" "478-12T" "479-12T" "480-12T" "481-12T" "482-12T" "483-12T" "484-12T" "485-12T" "486-12T" "487-12T" "488-12T" "489-12T" "490-12T" "491-12T" "492-12T" "493-12T" "494-12T" "495-12T" "496-12T" "497-12T" "498-12T" "499-12T" "500-12T" "501-12T" "502-12T" "503-12T" "504-12T" "505-12T" "506-12T" "507-12T" "508-12T" "509-12T" "510-12T" "511-12T" "512-12T" "513-12T" "514-12T" "515-12T" "516-12T" "517-12T" "518-12T" "519-12T" "520-12T" "521-12T" "522-12T" "523-12T" "524-12T" "525-12T" "526-12T" "527-12T" "528-12T" "529-12T" "530-12T" "531-12T" "532-12T" "533-12T" "534-12T" "535-12T" "536-12T" "537-12T" "538-12T" "539-12T" "540-12T" "541-12T" "542-12T" "543-12T" "544-12T" "545-12T" "546-12T" "547-12T" "548-12T" "549-12T" "550-12T" "551-12T" "552-12T" "553-12T" "554-12T" "555-12T" "556-12T" "557-12T" "558-12T" "559-12T" "560-12T" "561-12T" "562-12T" "563-12T" "564-12T" "565-12T" "566-12T" "567-12T" "568-12T" "569-12T" "570-12T" "571-12T" "572-12T" "573-12T" "574-12T" "575-12T" "576-12T" "577-12T" "578-12T" "579-12T" "580-12T" "581-12T" "582-12T" "583-12T" "584-12T" "585-12T" "586-12T" "587-12T" "588-12T" "589-12T" "590-12T" "591-12T" "592-12T" "593-12T" "594-12T" "595-12T" "596-12T" "597-12T" "598-12T" "599-12T" "600-12T" "601-12T" "602-12T" "603-12T" "604-12T" "605-12T" "606-12T" "607-12T" "608-12T" "609-12T" "610-12T" "611-12T" "612-12T" "613-12T" "614-12T" "615-12T" "616-12T" "617-12T" "618-12T" "619-12T" "620-12T" "621-12T" "622-12T" "623-12T" "624-12T" "625-12T" "626-12T" "627-12T" "628-12T" "629-12T" "630-12T" "631-12T" "632-12T" "633-12T" "634-12T" "635-12T" "636-12T" "637-12T" "638-12T" "639-12T" "640-12T" "641-12T" "642-12T" "643-12T" "644-12T" "645-12T" "646-12T" "647-12T" "648-12T" "649-12T" "650-12T" "651-12T" "652-12T" "653-12T" "654-12T" "655-12T" "656-12T" "657-12T" "658-12T" "659-12T" "660-12T" "661-12T" "662-12T" "663-12T" "664-12T" "665-12T" "666-12T" "667-12T" "668-12T" "669-12T" "670-12T" "671-12T" "672-12T" "673-12T" "674-12T" "675-12T" "676-12T" "677-12T" "678-12T" "679-12T" "680-12T" "681-12T" "682-12T" "683-12T" "684-12T" "685-12T" "686-12T" "687-12T" "688-12T" "689-12T" "690-12T" "691-12T" "692-12T" "693-12T" "694-12T" "695-12T" "696-12T" "697-12T" "698-12T" "699-12T" "700-12T" "701-12T" "702-12T" "703-12T" "704-12T" "705-12T" "706-12T" "707-12T" "708-12T" "709-12T" "710-12T" "711-12T" "712-12T" "713-12T" "714-12T" "715-12T" "716-12T" "717-12T" "718-12T" "719-12T" "720-12T" "721-12T" "722-12T" "723-12T" "724-12T" "725-12T" "726-12T" "727-12T" "728-12T" "729-12T" "730-12T" "731-12T" "732-12T" "733-12T" "734-12T" "735-12T" "736-12T" "737-12T" "738-12T" "739-12T" "740-12T" "741-12T" "742-12T" "743-12T" "744-12T" "745-12T" "746-12T" "747-12T" "748-12T" "749-12T" "750-12T" "751-12T" "752-12T" "753-12T" "754-12T" "755-12T" "756-12T" "757-12T" "758-12T" "759-12T" "760-12T" "761-12T" "762-12T" "763-12T" "764-12T" "765-12T" "766-12T" "767-12T" "768-12T" "769-12T" "770-12T" "771-12T" "772-12T" "773-12T" "774-12T" "775-12T" "776-12T" "777-12T" "778-12T" "779-12T" "780-12T" "781-12T" "782-12T" "783-12T" "784-12T" "785-12T" "786-12T" "787-12T" "788-12T" "789-12T" "790-12T" "791-12T" "792-12T" "793-12T" "794-12T" "795-12T" "796-12T" "797-12T" "798-12T" "799-12T" "800-12T" "801-12T" "802-12T" "803-12T" "804-12T" "805-12T" "806-12T" "807-12T" "808-12T" "809-12T" "810-12T" "811-12T" "812-12T" "813-12T" "814-12T" "815-12T" "816-12T" "817-12T" "818-12T" "819-12T" "820-12T" "821-12T" "822-12T" "823-12T" "824-12T" "825-12T" "826-12T" "827-12T" "828-12T" "829-12T" "830-12T" "831-12T" "832-12T" "833-12T" "834-12T" "835-12T" "836-12T" "837-12T" "838-12T" "839-12T" "840-12T" "841-12T" "842-12T" "843-12T" "844-12T" "845-12T" "846-12T" "847-12T" "848-12T" "849-12T" "850-12T" "851-12T" "852-12T" "853-12T" "854-12T" "855-12T" "856-12T" "857-12T" "858-12T" "859-12T" "860-12T" "861-12T" "862-12T" "863-12T" "864-12T" "865-12T" "866-12T" "867-12T" "868-12T" "869-12T" "870-12T" "871-12T" "872-12T" "873-12T" "874-12T" "875-12T" "876-12T" "877-12T" "878-12T" "879-12T" "880-12T" "881-12T" "882-12T" "883-12T" "884-12T" "885-12T" "886-12T" "887-12T" "888-12T" "889-12T" "890-12T" "891-12T" "892-12T" "893-12T" "894-12T" "895-12T" "896-12T" "897-12T" "898-12T" "899-12T" "900-12T" "901-12T" "902-12T" "903-12T" "904-12T" "905-12T" "906-12T" "907-12T" "908-12T" "909-12T" "910-12T" "911-12T" "912-12T" "913-12T" "914-12T" "915-12T" "916-12T" "917-12T" "918-12T" "919-12T" "920-12T" "921-12T" "922-12T" "923-12T" "924-12T" "925-12T" "926-12T" "927-12T" "928-12T" "929-12T" "930-12T" "931-12T" "932-12T" "933-12T" "934-12T" "935-12T" "936-12T" "937-12T" "938-12T" "939-12T" "940-12T" "941-12T" "942-12T" "943-12T" "944-12T" "945-12T" "946-12T" "947-12T" "948-12T" "949-12T" "950-12T" "951-12T" "952-12T" "953-12T" "954-12T" "955-12T" "956-12T" "957-12T" "958-12T" "959-12T" "960-12T" "961-12T" "962-12T" "963-12T" "964-12T" "965-12T" "966-12T" "967-12T" "968-12T" "969-12T" "970-12T" "971-12T" "972-12T" "973-12T" "974-12T" "975-12T" "976-12T" "977-12T" "978-12T" "979-12T" "980-12T" "981-12T" "982-12T" "983-12T" "984-12T" "985-12T" "986-12T" "987-12T" "988-12T" "989-12T" "990-12T" "991-12T" "992-12T" "993-12T" "994-12T" "995-12T" "996-12T" "997-12T" "998-12T" "999-12T" "1000-12T"

B-TOP 东莞博腾电子科技有限公司
 Dongguan BroadTop Electronic Technology Co., Ltd.

FIRST ANGLE PROJECTION	TEL: 0769-38926198	Designed	MATERIAL	DESCRIPTION	REV.
	FAX: 0769-38926199	Checked	SCALE 1.8:1	UNIT mm	MODEL NO. B80020005611
Website: www.BroadTopTech.com	www.BroadTopTech.com	Approved			