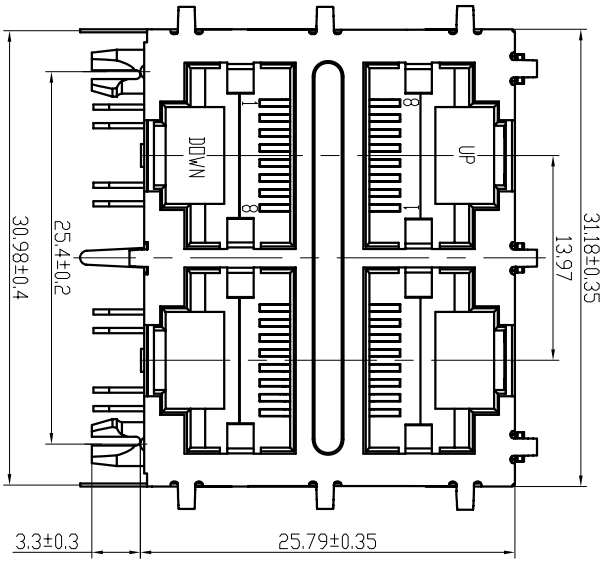
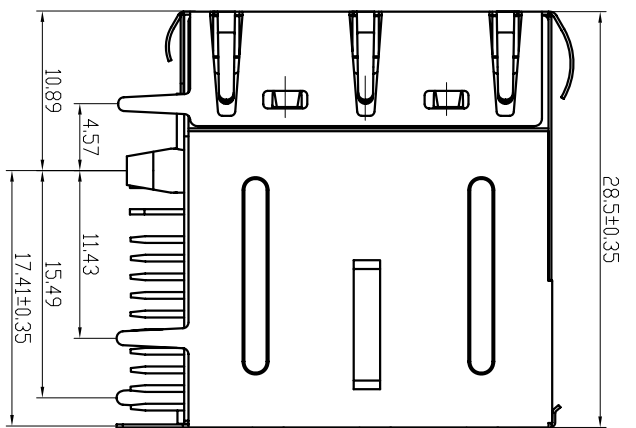


PCB BOARD LAYOUT



Specification

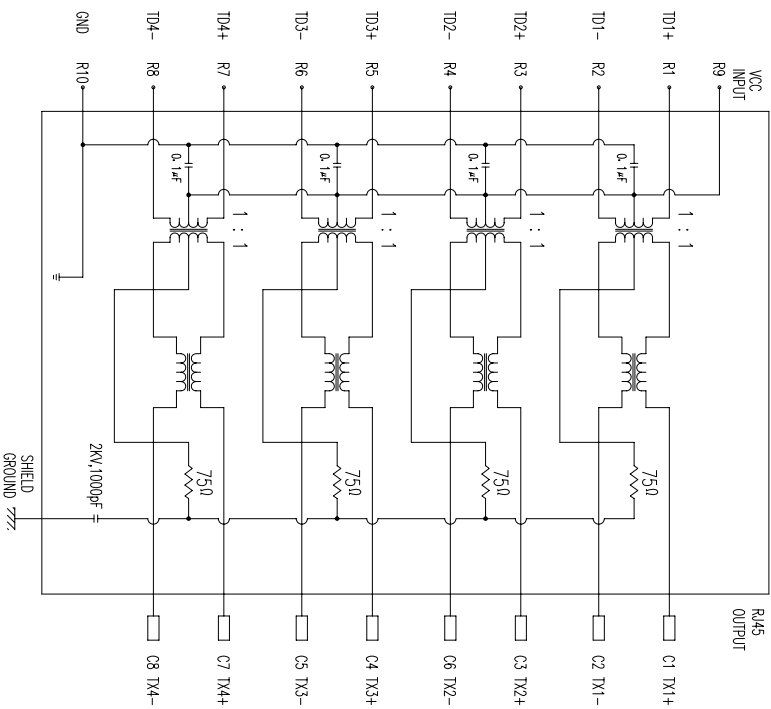
- 1:TOLERANCES UNLESS OTHERWISE SPECIFIED :
0~10±0.15, 10~20±0.2, 20~40±0.25,
40~70±0.3, >70±0.4
- 2:JACK CAVITY CONFORMS TO FCC RULES AND REGULATIONS,PART 68 SUBPART F.

BTop
 东莞市博腾电子科技有限公司
 Dongguan BroadTop Electronic Technology Co., Ltd.

TEL: 0769-38926198
 FAX: 0769-38926199
 Website: http://www.btotech.com

Designed	Checked	Approved	MATERIAL	DESCRIPTION	REV.
				B59(311-02)G8-28-2022-C12(2X2 EMI)	
SCALE	UNIT	MODEL NO.			
2:1	mm				

SHEMATIC RV1



ELECTRICAL SPECIFICATIONS AT 25°C

Insertion Loss dB max	Return Loss dB min		Common Mode Rejection (dB TYP)	Hpot(Vrms)
	1-100MHz	30-60MHz		
-1.0	-18	-16	-12	-40
			-35	-30
			-30	-20
				1500/0.5mA

DESCRIPTION

R45 With internal Magnetics Connector

Designed to support such applications as: Ethernet Equipment Complex, Switches, Routers, Firewalls, Servers and Hub Internal magnetics are 100% electrically tested for functionality per IEEE802.3 requirement

ELECTRICAL: RoHS peak wave solder temperature rating 235°C High performance for maximum EMI suppression 350uH minimum OCL with 8mA bias current PoE rating: 15W, 350mA, 48V (For PoE Products only)

JACK CAVITY CONFORMS TO FCC RULES AND REGULATIONS, PART 68 SUBPART F.

INSERTION FORCE: 2 CONTACTS-----350g 4 CONTACTS-----500g 6 CONTACTS-----750g 8 CONTACTS-----900g 10 CONTACTS-----1050g

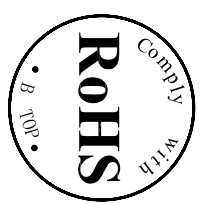
MECHANICAL: RETENTION STRENGTH: 7.7kgs BETWEEN JACK AND PLUG DURABILITY: 750 MATING CYCLES Min

HOUSING: 1) GLASS FILLED PA66 (UL 94V-0) 2) GLASS FILLED PA46/LCP (UL 94V-0) 3) GLASS FILLED PBT (UL 94V-0)

SPRING WIRE: 1) 0.2-0.45mm DIA PHOSPHOR BRONZE GOLD PLATING OVER NICKEL 2) 0.2-0.35mm THICKNESS PHOSPHOR BRONZE ALLOY SELECTIVE GOLD PLATING OVER NICKEL 3) 0.12-0.24mm THICKNESS COPPER ALLOY WITH TIN PLATED

MATERIAL:

SHIELDING: 0.12-0.24mm THICKNESS COPPER ALLOY WITH TIN PLATED GOLD PLATING: 3μ", 6μ", 15μ", 30μ", 50μ" WORKING TEMPERATURE: -20°C~70°C TOLERANCES UNLESS OTHERWISE SPECIFIED: 0~10±0.15, 10~20±0.2, 20~40±0.25, 40~70±0.3, >70±0.4



B with the company code

Series of products: 60 double deck R45 connector + transformer series; In stations footprint: 30 double deck R45 connector + transformer series; In vertical footprint: 30: Single R45 + transformer series: 52, 53, 55, 56 LED, 56/57, 59; Ordinary R45 series: 3K; that strip line series: 40; Conversion said Connectivity: 80; Series that UK: 91; Automotive connector male Block: 3K; IHMI Automotive connector male Block: 3K; IHMI the head: 94; IHMI another Block: 95; SMT series: 96; RRS for services

Family code (sequence ID): 1-99

Type of product code: G: GigaBit R45 transformer; F: 100base R45 transformer; K: for no transformer R45 products; H: Series for board-to-board code

Number of magnetic ring

The No. of circuit

Product definition LOGO: 1 - Press "B"-TOP"-2- No "B"-TOP"; 3 - Other companies LOGO

Product definition plastic materials: 1-PA66 2-PA46, 3-PA, 4-PA6, 5-PBT, 6-ABS, 7-PA9T, 8-PC

Pin definition of the product-F: Pin after; B: Pin back; C: No definition of the product

Electroplating product definition: gold-plated terminals (depress after nickel plated) 1-4" μ", 2-23" μ", 3-6" μ", 4-15" μ", 5-30" μ", 6-50" μ", 7-75" μ", 8-120" μ", 9-

Product shielding definition: 0 - no shielding shell; 1 - without shielding shell strap; 2 - shielding a shell strap; 3 - a half shield shell

Products luminous definition: 0 - No LED; 1 - Left Yellow Right Green; 2 - Left Green Right Yellow; 3 - Double Green; 4 - Double Yellow; 5 - LED straight for the pin; 6 - A special definition; 7 - Single Illumer LEDs

Products out port: "-2X1" 2-2X2" 4-2X4" 5-2X5" 6-2X6" 8-2X8" 9-1X11" 10-1X12" 11-1X14" 12-1X15" 13-1X16" 14-1X18" 15-1X20" 16-1X24" 17-1X28" 18-1X32" 19-1X36" 20-1X40" 21-1X48" 22-1X56" 23-1X64" 24-1X72" 25-1X80" 26-1X88" 27-1X96" 28-1X104" 29-1X112" 30-1X120"

BTOP
 Dongguan BroadTop Electronic Technology Co., Ltd.

FIRST ANGLE PROJECTION		CUSTOMER	Checked	DESIGN	Designed
		MODEL NO.	Approved	SCALE	1.8:1
				UNIT	mm
				MODEL NO.	B80020002811
				REV.	BT G8-28