

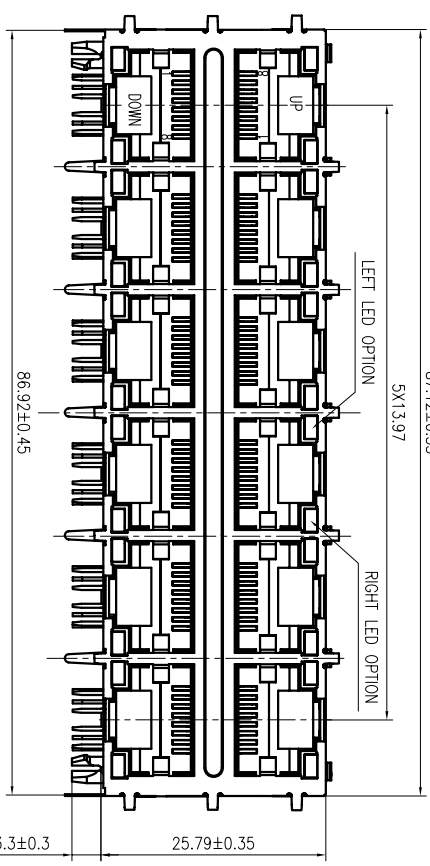
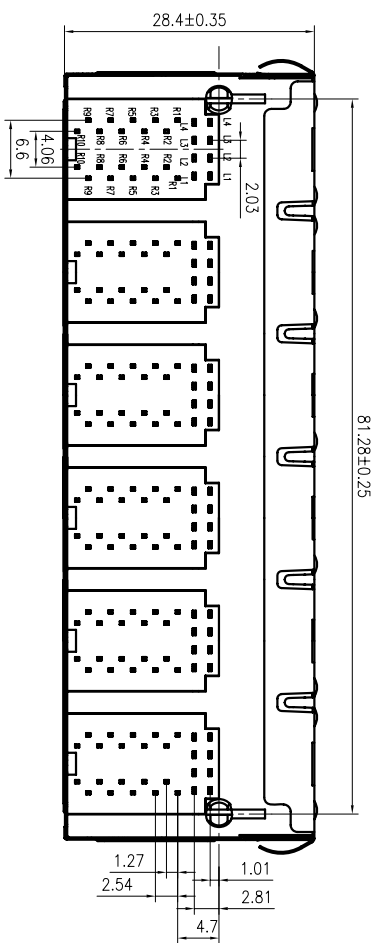
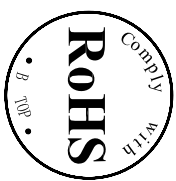
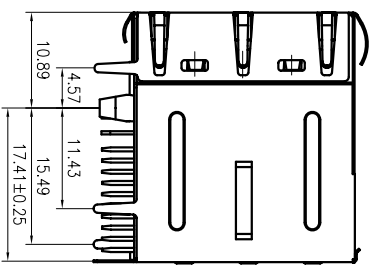
LED Specification

Standard LED Color	LED Wavelength (nm)	Forward (V MAX)	Typical (V TYP)	Luminous Intensity (mcd)
Green	560-580 nm	2.5V	2.1-2.2V	9-25 MCD
Yellow	580-610 nm	2.5V	2.1-2.2V	9-30 MCD
Orange	580-610 nm	2.5V	2.1-2.2V	50-100 MCD

- LED intensity/wavelength measured with Photo Research PR-650 Colormeter
- With a forward current of 20 mA, Absolute Maximum Ratings (Ta=25°C)

Specification:
 1: TOLERANCES UNLESS OTHERWISE SPECIFIED :
 0~10±0.15, 10~20±0.2, 20~40±0.25,
 40~70±0.3, >70±0.4

2: JACK CAVITY CONFORMS TO FCC RULES AND REGULATIONS, PART 68 SUBPART F.



东莞市博腾电子科技有限公司
 Dongguan BroadTop Electronic Technology Co., Ltd.

TEL: 0769-38926198
 FAX: 0769-38926199
 Website: http://www.btoptech.com

Designed
 Checked
 Approved

MATERIAL

SCALE 1.2:1 UNIT mm

DESCRIPTION B59(173-04)F4-156-6222-C12(2X6 G-Y LED EMI)

REV. V1.0

DESCRIPTION

RJ45 With internal Magnetics Connector

Designed to support such applications as: Ethernet Equipment Complex, Switches, Routers, Firewalls, Servers and Hub

Internal magnetics are 100% electrically tested for functionality per IEEE802.3 requirement

High performance for maximum EMI suppression

350uH minimum OCL with 8mA bias current

PoE rating: 15W, 350mA, 48V (For PoE Products only)

JACK CAVITY CONFORMS TO FCC RULES AND REGULATIONS, PART 68 SUBPART F.

INSERTION FORCE: 2 CONTACTS-----350g 4 CONTACTS-----500g
6 CONTACTS-----750g 8 CONTACTS-----900g
10 CONTACTS-----1050g

MECHANICAL:

RETENTION STRENGTH: 7.7kgs BETWEEN JACK AND PLUG

DURABILITY: 750 MATING CYCLES Min.

HOUSING: 1) GLASS FILLED PA66 (UL 94V-0)
2) GLASS FILLED PA46/LCP (UL 94V-0)

3) GLASS FILLED PBT (UL 94V-0)

MATERIAL:

SPRING WIRE: 1) 0.2-0.45mm DIA PHOSPHOR BRONZE GOLD PLATING OVER NICKEL

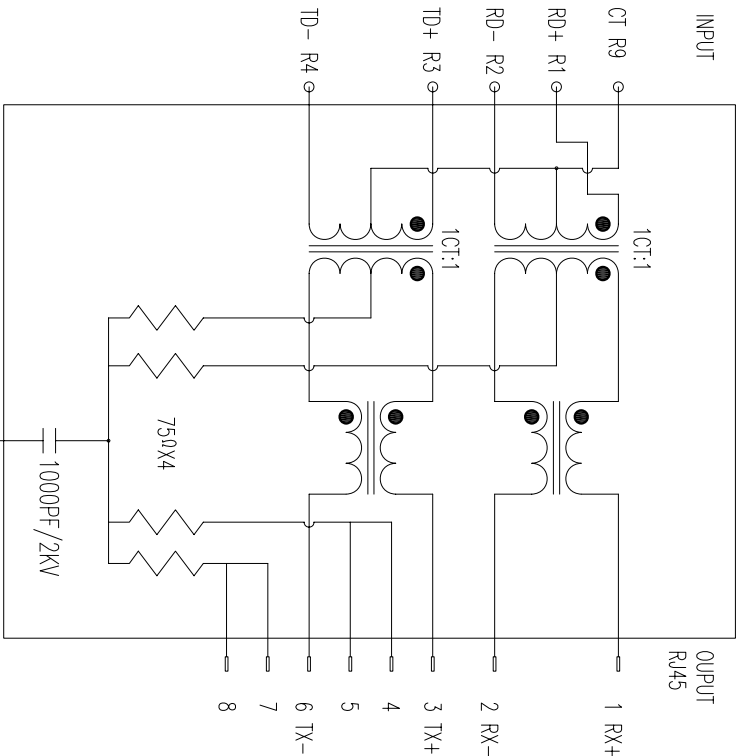
2) 0.2-0.35mm THICKNESS PHOSPHOR BRONZE ALLOY SELECTIVE GOLD PLATING OVER NICKEL

SHIELDING: 0.12-0.24mm THICKNESS COPPER ALLOY WITH TIN PLATED

GOLD PLATING: 3μm, 6μm, 15μm, 30μm, 50μm

WORKING TEMPERATURE: -20°C~70°C

TOLERANCES UNLESS OTHERWISE SPECIFIED : 0~10±0.15; 10~20±0.2; 20~40±0.25; 40~70±0.3; >70±0.4



ELECTRICAL SPECIFICATIONS AT 25°C

Insertion Loss dB max	Return Loss dB min	Crosstalk(dB TR)	Common Mode Rejection (dB TR)	Hipot(Vrms)
1-100MHz	1-30MHz	60-100MHz	1-30MHz	1-50MHz
	30-60MHz	60-100MHz	30-60MHz	50-150MHz
-1.0	-18	-16	-12	-40
				-35
				-30
				-20
				1500/0.5mA

"B" with the company code

Series of products: 60double deck RJ45 connector + transformer series(In standard footprint); 80double deck RJ45 connector + transformer series(In vertical footprint); 80: Shield RJ45 + transformer series; 82: 50/50/50 LED/56/57/58; Ordinary RJ45 series; 40: that strip line series; 40: conversion said

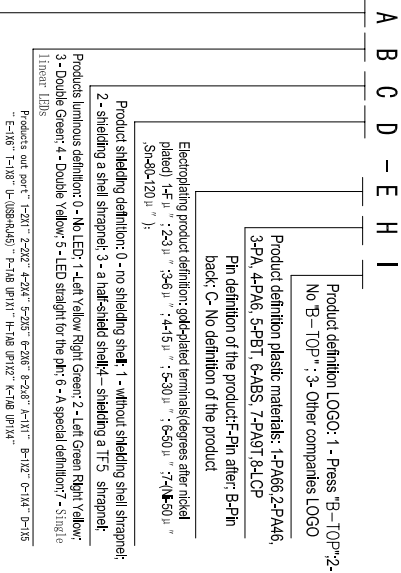
Connectivity: 80: Series that UK; 91: Automotive connector public Block; 92: the head; 94: IBM another Block; 95: SMT series; 96: 88: for switches; SP: SP connector

Family code (sequence id): 1-99

Type of product code: G: Right RJ45 transformer; F: Double RJ45 transformer; M: for transformer RJ45 products; W: Series for board-to-board connections; Series for SP connector

Number of magnetic ring

The No. of circuit



BTOP
东莞市博腾电子科技有限公司
 Dongguan BroadTop Electronic Technology Co., Ltd.

FIRST ANGLE PROJECTION	CUSTOMER MODEL NO.	Designed Checked Approved	MATERIAL		DESCRIPTION	REV.
			SCALE	UNIT		
			1.8:1	mm	BT F4-156	

