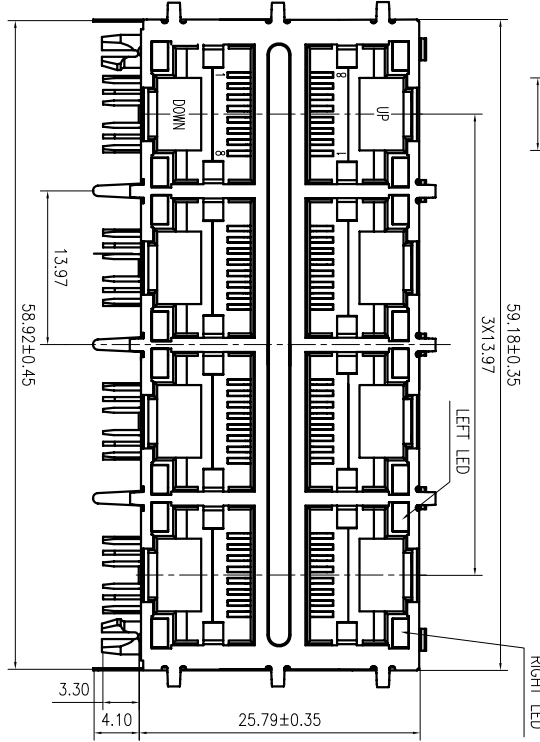
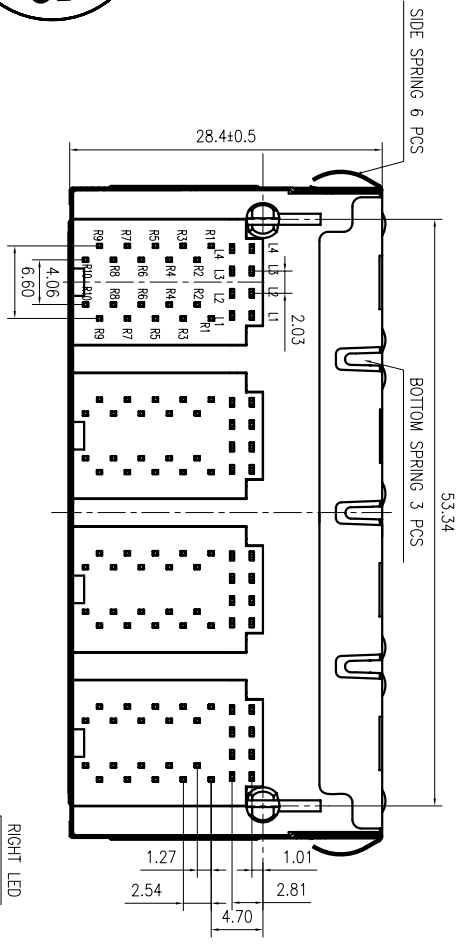
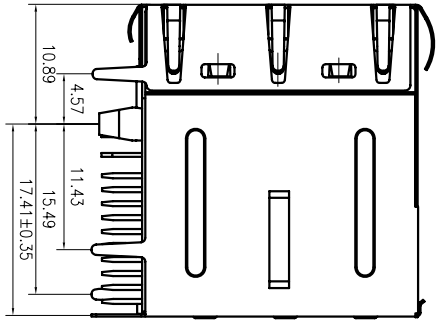
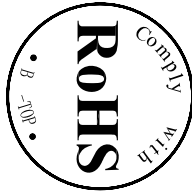


LED Specification

Standard LED Color	LED Wavelength	Forward (V MAX)	Typical (V TYP)	Luminous Intensity
Green	560-580 nm	2.5V	2.1-2.2V	9-25 MCD
Yellow	580-610 nm	2.5V	2.1-2.2V	9-30 MCD
Orange	580-610 nm	2.5V	2.1-2.2V	50-100 MCD

1. LED intensity/wavelength measured with Photo Research PR-650 Colorimeter
2. With a forward current of 20 mA Absolute Maximum Ratings ($T_a=25^\circ\text{C}$)

- 1: TOLERANCES UNLESS OTHERWISE SPECIFIED :
 0~10±0.15, 10~20±0.2, 20~40±0.25,
 40~70±0.3, >70±0.4
- 2: JACK CAVITY CONFORMS TO FCC RULES AND REGULATIONS, PART 68 SUBPART F.



1. LED intensity/wavelength measured with Photo Research PR-650 Colorimeter
 2. With a forward current of 20 mA Absolute Maximum Ratings ($T_a=25^\circ\text{C}$)
- 1: TOLERANCES UNLESS OTHERWISE SPECIFIED :
 0~10±0.15, 10~20±0.2, 20~40±0.25,
 40~70±0.3, >70±0.4
 - 2: JACK CAVITY CONFORMS TO FCC RULES AND REGULATIONS, PART 68 SUBPART F.

STOP
 东莞市博腾电子科技有限公司
 Dongguan BroadTop Electronic Technology Co., Ltd.

FIRST ANGLE PROJECTION
 TEL: 0769-38926198
 FAX: 0769-38926199
 Website: http://www.stoptech.com

Designed	MATERIAL	DESCRIPTION	REV.
Checked	SCALE 1.5:1	B59(123-12)F4-48-4222-C12(2X4 G-Y LED EMI)	
Approved	UNIT mm		
	MODEL NO.		

DESCRIPTION

RJ45 With internal Magnetics Connector

Design to support such applications as: Ethernet Equipment Complex, Switches, Routers, Firewalls, Servers and Hub

Internal magnetics are 100% electrically tested for functionality per IEEE802.3 requirement

RoHS peak wave solder temperature rating 235^ot

High performance for maximum EMI suppression

350uH minimum OCL with 8mA bias current

PoE rating: 15W, 350mA, 48V (For PoE Products only)

JACK CAVITY CONFORMS TO FCC RULES AND REGULATIONS, PART 68 SUBPART F.

INSERTION FORCE: 2 CONTACTS-----350g 4 CONTACTS-----500g

6 CONTACTS-----750g 8 CONTACTS-----900g

10 CONTACTS-----1050g

RETENTION STRENGTH: 7.7kgs BETWEEN JACK AND PLUG

DURABILITY: 750 MATING CYCLES Mini

HOUSING: 1) GLASS FILLED PA66 (UL 94V-0)

2) GLASS FILLED PA46/LCP (UL 94V-0)

3) GLASS FILLED PBT (UL 94V-0)

SPRING WIRE: 1) 0.2-0.45mm DIA PHOSPHOR BRONZE GOLD PLATING OVER NICKEL

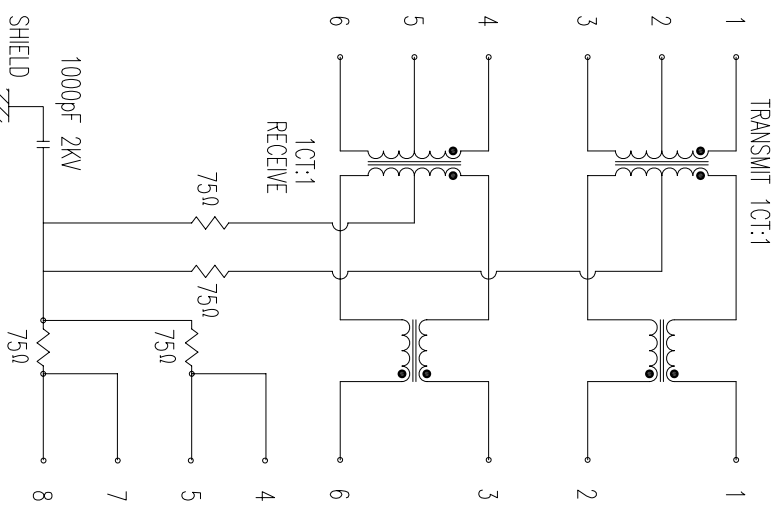
2) 0.2-0.35mm THICKNESS PHOSPHOR BRONZE ALLOY SELECTIVE GOLD PLATING OVER NICKEL

SHIELDING: 0.12-0.24mm THICKNESS COPPER ALLOY WITH TIN PLATED

GOLD PLATING: 3 μ " , 6 μ " , 15 μ " , 30 μ " , 50 μ "

WORKING TEMPERATURE: -20^oc~70^oc

TOLERANCES UNLESS OTHERWISE SPECIFIED : 0~10 \pm 0.15, 10~20 \pm 0.2, 20~40 \pm 0.25, 40~70 \pm 0.3, >70 \pm 0.4



ELECTRICAL SPECIFICATIONS AT 25° C

Insertion Loss dB max	Return Loss dB min	Crosstalk(dB TYP)	Common Mode Rejection (dB TYP)	Hipot(vrms)					
1-100MHz	1-30MHz	30-60MHz	60-100MHz	1-30MHz	30-60MHz	60-100MHz	1-50MHz	50-150MHz	1500/0.5mA
-1.0	-18	-16	-12	-40	-35	-30	-30	-20	

"B" with the company code
 Series of products: 60-Double deck RJ45 connector + transformer series(In shielding footprint); 80-Double deck RJ45 connector + transformer series(In vertical footprint); 50-Single RJ45 + transformer series; 82,83,85,86 LED; 86,87,89; 90-series; RJ45 series; 81C; 100-strip line series; 40; Conversion kit; Connectivity; 80; series that use 91; Automotive connector model DUCK; 90; 100M the head; 100M another block; 90; 50M series; 90; 40s for switches

Family code (sequence id) : 1-199

Type of product code: C: Right RJ45 transformer; F: Double RJ45 transformer; K: no transformer RJ45 products; W: Series for manufacturer code

Number of magnetic ring
 The No. of circuit

Product definition LOGO: 1 - Press 'B - TOP' ; 2 - No 'B - TOP' ; 3 - Other companies LOGO

Product definition plastic materials: 1-PA66 2-PA46, 3-PA 4-PA6, 5-PBT, 6-ABS, 7-PA6T, 8-PC

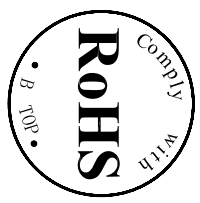
Pin definition of the product: F - Pin after B-Pin back; C - No definition of the product

Electroplating product definition: gold-plated terminals(depress after nickel plated) 1-F μ " ; 2-3 μ " ; 3-5 μ " ; 4-15 μ " ; 5-30 μ " ; 6-50 μ " ; 7-100 μ " ; 8-200 μ " ; 9-

Product shielding definition: 0 - no shielding steel; 1 - without shielding steel; 2 - shielding a steel shrapnel; 3 - a half-shield steel

Product luminous definition: 0 - No LED; 1 - Left Yellow Right Green; 2 - Left Green Right Yellow; 3 - Double Green; 4 - Double Yellow; 5 - LED straight for the pin; 6 - A special definition; 7 - 510nm; 8 - 510nm; 9 - 510nm

Product color definition: 1-201 " 2-202 " 3-203 " 4-204 " 5-205 " 6-206 " 7-110 " 8-112 " 9-114 " 0-115 " 1-108 " 1-109 " 0-108(A) 1-109(A) 1-110(A) 1-111(A) 1-112(A) 0-114(A) 0-115(A)



A

A

B

B



东莞市博腾电子科技有限公司
 Dongguan BroadTop Electronic Technology Co., Ltd.

Designed
 Checked
 Approved

MATERIAL

DESCRIPTION

BT F4-48

FIRST ANGLE
 PROJECTION



CUSTOMER
 MODEL NO.

SCALE 1.8:1
 UNIT mm
 MODEL NO. B80010004811

REV.

2