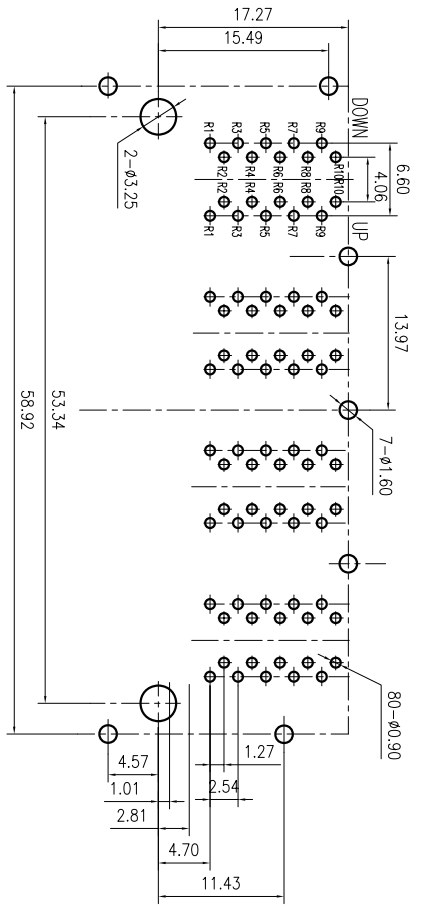
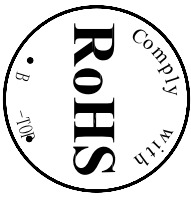
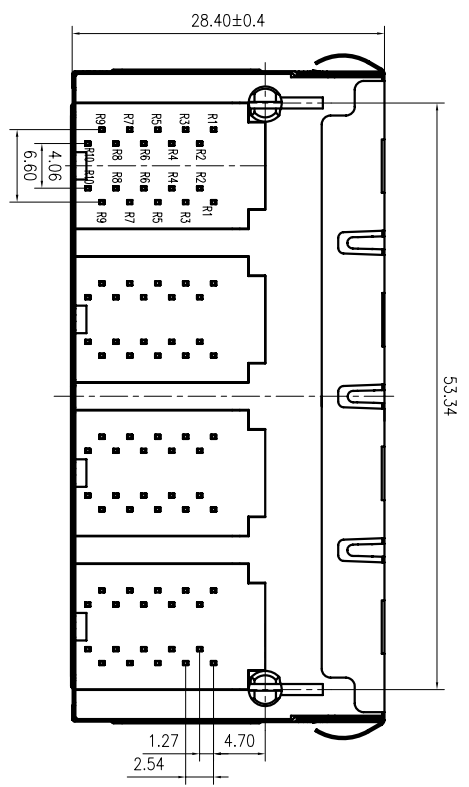


1

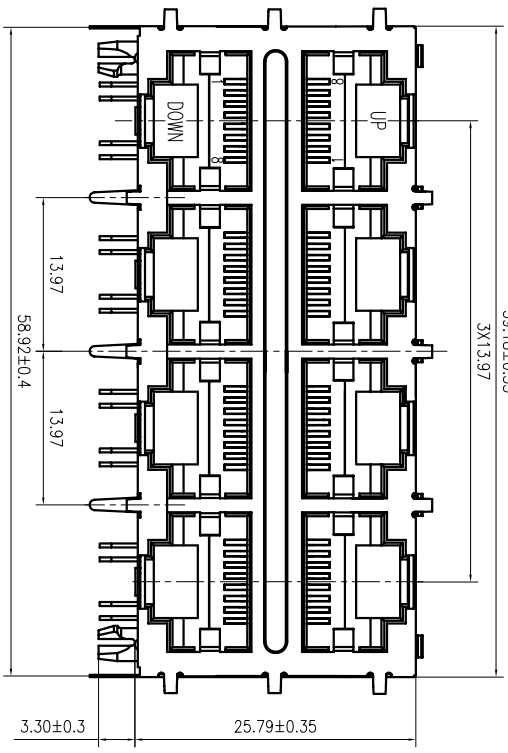
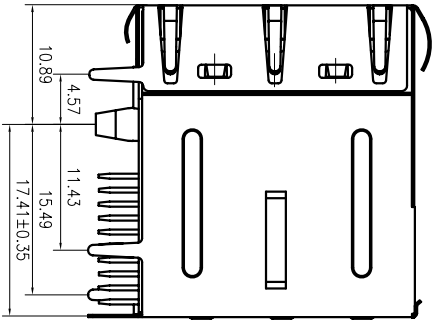


PCB BOARD LAYOUT

2



1:TOLERANCES UNLESS OTHERWISE SPECIFIED :
 0~10±0.15, 10~20±0.2, 20~40±0.25,
 40~70±0.3, >70±0.4
 2:JACK CAVITY CONFORMS TO FCC RULES AND
 REGULATIONS,PART 68 SUBPART F.



东莞市博腾电子科技有限公司
 Dongguan BroadTop Electronic Technology Co., Ltd.

TEL: 0769-38926198
 FAX: 0769-38926199
 Website: <http://www.btoptech.com>

Designed
 Checked
 Approved

MATERIAL

DESCRIPTION
 B59(105-08)G8-28-4023-C12(2X4 EMI)

SCALE

1.5:1

UNIT

mm

MODEL NO.

REV.

B

A

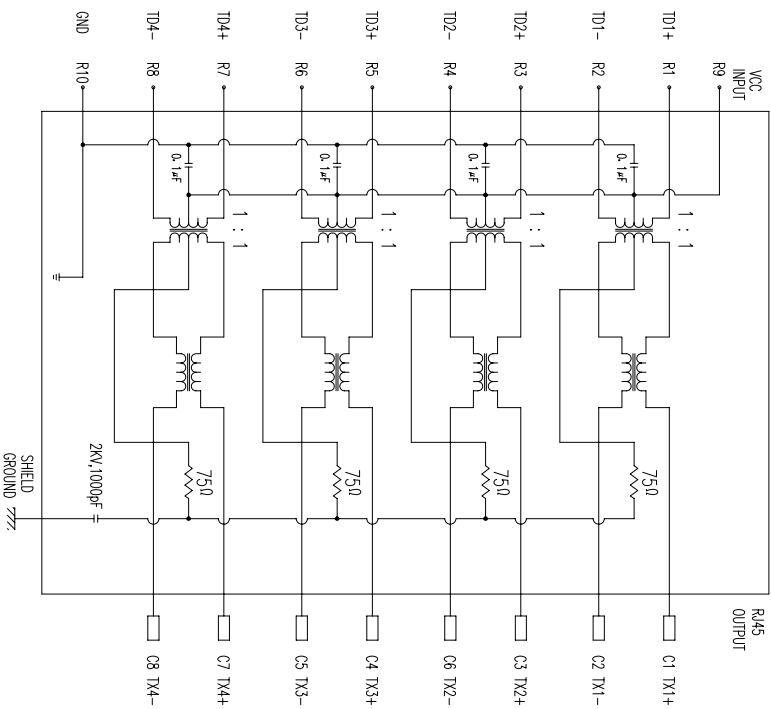
B

A

1

2

SHEMATIC RV1



ELECTRICAL SPECIFICATIONS AT 25°C

Insertion Loss dB max	Return Loss dB min	Crosstalk(dB TYP)	Common Mode Rejection (dB TYP)	Hipot(Vrms)
1-100MHz	1-30MHz 30- 60MHz 60- 100MHz	1-30MHz 30- 60MHz 60- 100MHz 1-50MHz 50-150MHz		1500/0.5mA
-1.0	-18	-16	-12	-40
				-35
				-30
				-20

DESCRIPTION

R45 With internal Magnetics Connector

Designed to support such applications as:Ethernet Equipment Complex,Switches,Routers,Firewalls,Servers and Hub Internal magnetics are 100% electrically tested for functionality per IEEE802.3 requirement

ELECTRICAL: RoHS peak wave solder temperature rating 235°C High performance for maximum EMI suppression 350uH minimum OCL with 8mA bias current PoE rating:15W,350mA,48V (For PoE Products only)

MECHANICAL: JACK CAVITY CONFORMS TO FCC RULES AND REGULATIONS,PART 68 SUBPART F. INSERTION FORCE: 2 CONTACTS-----350g 4 CONTACTS-----500g 6 CONTACTS-----750g 8 CONTACTS-----900g 10 CONTACTS-----1050g

MATERIAL: RETENTION STRENGTH: 7.7kgs BETWEEN JACK AND PLUG DURABILITY: 750 MATING CYCLES Min

HOUSING: 1) GLASS FILLED PA66 (UL 94V-0) 2) GLASS FILLED PA46/LCP (UL 94V-0) 3) GLASS FILLED PBT (UL 94V-0)

SPRING WIRE: 1) 0.2-0.45mm DIA PHOSPHOR BRONZE GOLD PLATING OVER NICKEL 2) 0.2-0.35mm THICKNESS PHOSPHOR BRONZE ALLOY SELECTIVE GOLD PLATING OVER NICKEL 3) 0.12-0.24mm THICKNESS COPPER ALLOY WITH TIN PLATED

SHIELDING: 0.12-0.24mm THICKNESS COPPER ALLOY WITH TIN PLATED GOLD PLATING: 3μ", 6μ", 15μ", 30μ", 50μ"

WORKING TEMPERATURE: -20°C~70°C TOLERANCES UNLESS OTHERWISE SPECIFIED : 0~10±0.15, 10~20±0.2, 20~40±0.25, 40~70±0.3, >70±0.4

"B" with the company code

Series of products: 60:Double deck R45 connector + transformer series;In stations footprint); 80:Double deck R45 connector + transformer series;In vertical footprint); 90: Single R45 + transformer series;52,53,55,56 LED;56/57,59: Ordinary R45 series;3K: that strip line series; 40: Conversion said Connectivity 80: Series that UK; 91: Automotive connector public Block;92: Automotive connector another Block; 93: IHMI the head;94: IHMI another Block; 95: SMT series; 96: RRS for services

Family code (sequence ID): 1-99

Type of product code: G: GigaBit R45 transformer; F: 100base R45 transformer; K: for m transformer R45 products; H: Series for board-on-board code

Number of magnetic ring

The No. of circuit

Product definition LOGO: 1 - Press "B"-TOP"-2- No "B"-TOP"; 3- Other companies LOGO

Product definition plastic materials: 1-PA66 2-PA46, 3-PA, 4-PA6, 5-PBT, 6-ABS, 7-PA9T, 8-PC

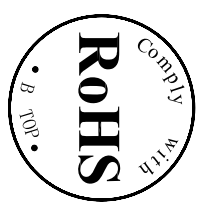
Pin definition of the product-F: Pin after; B: Pin back; C: No definition of the product

Electroplating product definition: gold-plated terminals(depress after nickel plated) 1-4" μ " ; 2-3" μ " ; 3-6" μ " ; 4-15" μ " ; 5-30" μ " ; 6-50" μ " ; 7-75-50" μ " ; 8-90-120" μ " ;

Product shielding definition: 0 - no shielding shell; 1 - without shielding shell strap; 2 - shielding a shell strap; 3 - a half-shield shell

Products luminous definition: 0 - No LED; 1 -Left Yellow Right Green; 2 -Left Green Right Yellow; 3 - Double Green; 4 - Double Yellow; 5 -LED straight for the pin; 6 -A special definition"; -Single Illumer LEDs

Products out port: "-2X1" "2-2X2" "4-2X4" "5-2X5" "6-2X6" "8-2X8" "8-1X11" "8-1X2" "C-1X4" "D-1X5" "E-1X6" "F-1X6" "H-(35x46)" "I-1x8 1pin" "H-8 1pin" "I-8 1pin" "K-1x8 1pin"



BTOP
Dongguan BroadTop Electronic Technology Co., Ltd.

FIRST ANGLE PROJECTION		CUSTOMER MODEL NO.	Checked	Designed
			Approved	

MATERIAL

SCALE	1.8:1	UNIT	mm	MODEL NO.
-------	-------	------	----	-----------

BT G8-28

B80020002811

REV.

B

A

B

A