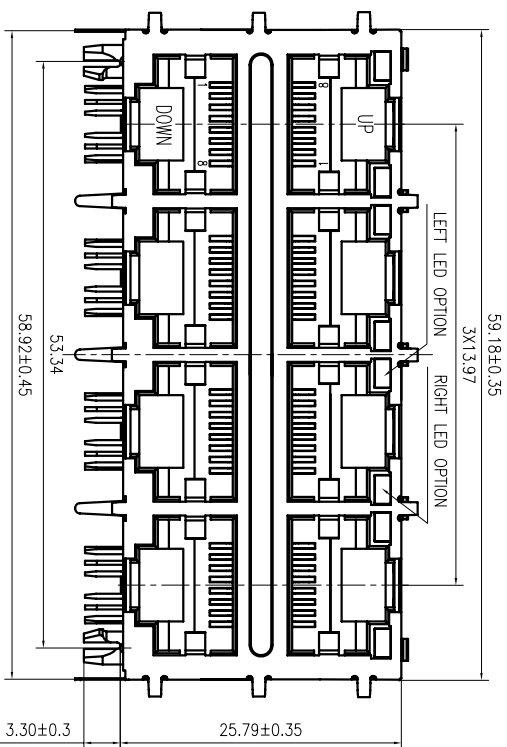
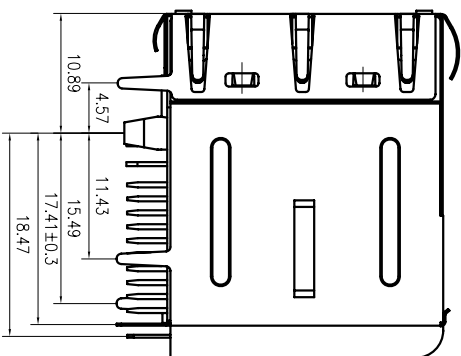


LED Specification

Standard LED Color	LED Wavelength (nm)	Forward (V MAX)	Typical (V TYP)	Luminous Intensity (mcd)
Green	560-580 nm	2.5V	2.1-2.2V	9-25 MCD
Yellow	580-610 nm	2.5V	2.1-2.2V	9-30 MCD
Orange	580-610 nm	2.5V	2.1-2.2V	50-100 MCD

- LED intensity/wavelength measured with Photo Research PR-650 Colormeter
- With a forward current of 20 mA, Absolute Maximum Ratings (To=25°C)

- TOLERANCES UNLESS OTHERWISE SPECIFIED :  
0~10±0.15, 10~20±0.2, 20~40±0.25,  
40~70±0.3, >70±0.4
- JACK CAVITY CONFORMS TO FCC RULES AND REGULATIONS, PART 68 SUBPART F.



东莞市博腾电子科技有限公司  
Dongguan Broadtop Electronic Technology Co., Ltd.

FIRST ANGLE PROJECTION		CUSTOMER	DESIGNED	MATERIAL	DESCRIPTION	REV.
		MODEL NO.	CHECKED	SCALE	B59(103-06)08-10-4723-C12(2X4 EMI LED共阴)	
			APPROVED	1.5:1	UNIT	
				mm	MODEL NO.	

### DESCRIPTION

RJ45 With internal Magnetics Connector

Designed to support such applications as: Ethernet Equipment Complex, Switches, Routers, Firewalls, Servers and Hub Internal magnetics are 100% electrically tested for functionality per IEEE802.3 requirement

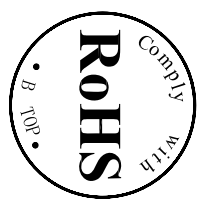
**ELECTRICAL:**  
RoHS peak wave solder temperature rating 235°C  
High performance for maximum EMI suppression  
350uH minimum OCL with 8mA bias current  
PoE rating: 15W, 350mA, 48V (For PoE Products only)

**MECHANICAL:**  
JACK CAVITY CONFORMS TO FCC RULES AND REGULATIONS, PART 68 SUBPART F.  
INSERTION FORCE: 2 CONTACTS-----350g 4 CONTACTS-----500g  
6 CONTACTS-----750g 8 CONTACTS-----900g  
10 CONTACTS-----1050g  
RETENTION STRENGTH: 7.7Kgs BETWEEN JACK AND PLUG  
DURABILITY: 750 MATING CYCLES Mini

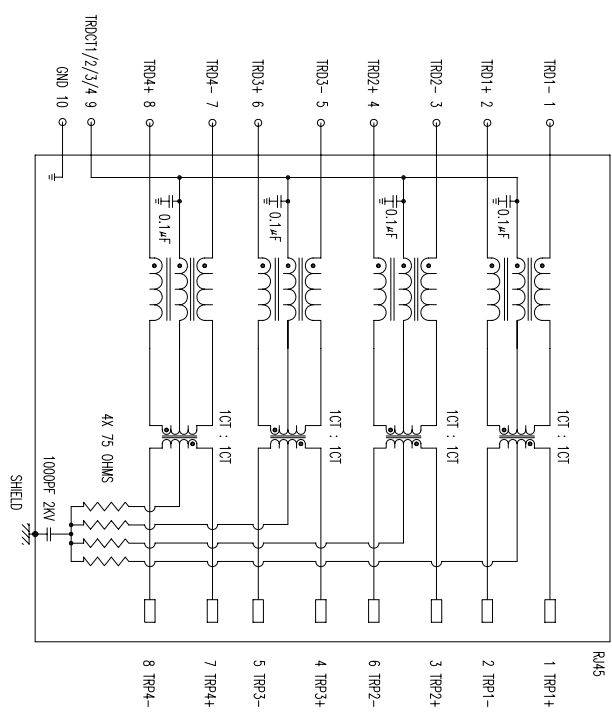
**HOUSING:** 1) GLASS FILLED PA66 (UL 94V-0)  
2) GLASS FILLED PA46/LCP (UL 94V-0)  
3) GLASS FILLED PBT (UL 94V-0)

### MATERIAL:

**SPRING WIRE:** 1) 0.2-0.45mm DIA PHOSPHOR BRONZE GOLD PLATING OVER NICKEL  
2) 0.2-0.35mm THICKNESS PHOSPHOR BRONZE ALLOY SELECTIVE GOLD PLATING OVER NICKEL  
**SHIELDING:** 0.12-0.24mm THICKNESS COPPER ALLOY WITH TIN PLATED  
**GOLD PLATING:** 3µm, 6µm, 15µm, 30µm, 50µm  
**WORKING TEMPERATURE:** -20°C~70°C  
**TOLERANCES UNLESS OTHERWISE SPECIFIED :** 0~10±0.15, 10~20±0.2, 20~40±0.25, 40~70±0.3, >70±0.4



### SCHEMATIC



### ELECTRICAL SPECIFICATIONS AT 25 °C

Insertion Loss dB max	Return Loss dB min	Crosstalk (db TYP)	Common Mode Rejection (dB TYP)	Hypok(Vrms)					
1-100MHz	1-30MHz	30-60MHz	60-100MHz	1-30MHz	30-60MHz	60-100MHz	1-50MHz	50-150MHz	1500/0.5mA
-10	-18	-16	-12	-40	-35	-30	-30	-20	

"g" with the company code  
Series of products: 60/Double deck RJ45 connector + transformer series(In shielding footprint); 80/Double deck RJ45 connector + transformer series(In vertical footprint); 50/Single RJ45 + transformer series; 52/52/56/56 129/56/57/59; Ordinary RJ45 version; 30x; that series; 40; Conversion series; 50; Connectivity; 80; Series that UK; 91; Automotive connector public Block; 92; Automotive connector module Block; 95; HDMI the head; 94; HDMI module Block; 99; SMT series; 96; HBS for services  
**Family code (sequence id) : 1-99**  
Type of product code: C: Gigabit RJ45 transformer; P: PoE RJ45 transformer; R: RoHS transformer; B: Series for back-board code  
**The No. of circuit**

**Product definition LOGO:** 1 - Press "B", 10P\*2- No "B"-10P\*3 - Other companies LOGO  
**Product definition plastic materials:** 1-P:PA66, 2-PA66, 3-PA, 4-PA6, 5-PBT, 6-ABS, 7-PA9T, 8-PC  
**Pin definition of the product:** F-Pin after B-Pin back; C- No definition of this product  
**Electroplating product definition:** gold-plated terminals (degrees after nickel plated) 1-F µm \* 2-3 µm \* 3-5 µm \* 4-15 µm \* 5-30 µm \* 6-50 µm \* 7-4N-50 µm \* 8-80-120 µm \* 9-  
**Product shielding definition:** 0 - no shielding shell; 1 - without shielding shell; 2 - shielding a shell; 3 - a half-shield shell  
**Products luminous definition:** 0 - No LED; 1 - 4N Yellow Right Green; 2 - Left Green Right Yellow; 3 - Double Green; 4 - Double Yellow; 5 - LED straight for the pin; C - A special definition; 7 - Shield; 8 - Litter LEDs  
**Products out part :** "2-01" "2-02" "4-24" "5-23" "6-20" "6-28" "A-1X" "B-1X" "C-1X" "D-1X" "E-1X" "F-1X" "G-1X" "H-1X" "I-1X" "J-1X" "K-1X" "L-1X" "M-1X" "N-1X" "O-1X" "P-1X" "Q-1X" "R-1X" "S-1X" "T-1X" "U-1X" "V-1X" "W-1X" "X-1X" "Y-1X" "Z-1X"



Dongguan BroadTop Electronic Technology Co., Ltd.

FIRST ANGLE PROJECTION	CUSTOMER MODEL NO.	DESIGNED	CHECKED	APPROVED	MATERIAL	DESCRIPTION	SCALE	UNIT	MODEL NO.	REV.
		Checked		Approved		BT G8-10	1.8:1	mm	B80020001011	