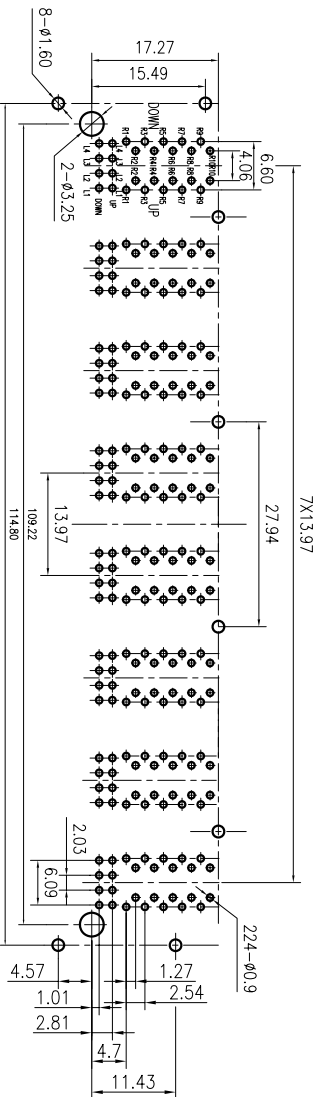
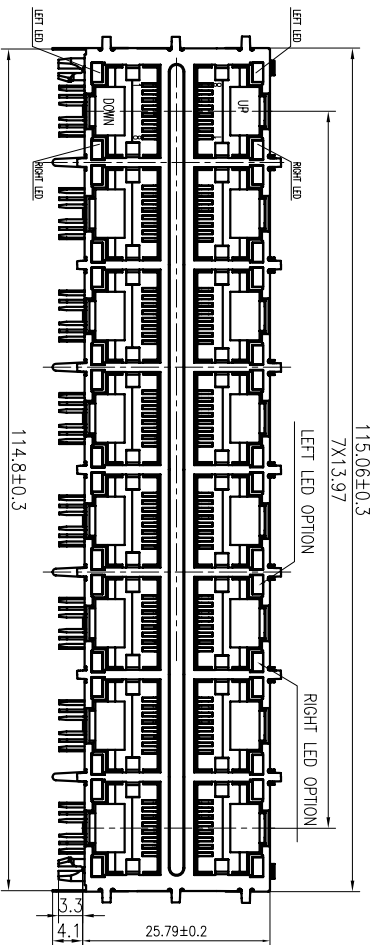
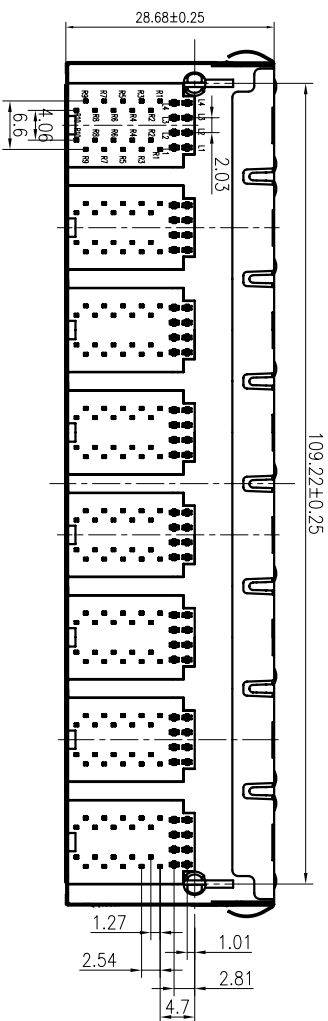
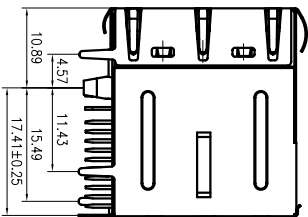


LED Specification

Standard LED Color	LED Wavelength (nm)	Forward Voltage (V MAX)	Typical (V TYP)	Luminous Intensity (mcd)
Green	560-580 nm	2.5V	2.1-2.2V	9-25 MCD
Yellow	580-610 nm	2.5V	2.1-2.2V	9-30 MCD
Orange	580-610 nm	2.5V	2.1-2.2V	50-100 MCD

1. LED Intensity/Wavelength measured with Photo Research PR-650 Colormeter
2. With a forward current of 20 mA, Absolute Maximum Ratings (Ta=25°C)

1: TOLERANCES UNLESS OTHERWISE SPECIFIED :  
 0~10±0.15, 10~20±0.2, 20~40±0.25,  
 40~70±0.3, >70±0.4  
 2: JACK CAVITY CONFORMS TO FCC RULES AND REGULATIONS, PART 68 SUBPART F.



**BTOP**  
 东莞市博腾电子科技有限公司  
 Dongguan BroadTop Electronic Technology Co., Ltd.

FIRST ANGLE PROJECTION		CUSTOMER MODEL NO.	Checked	Approved
------------------------	--	--------------------	---------	----------

SCALE	UNIT	MODEL NO.
1:1	mm	

DESCRIPTION	REV.
B59(190-01)68-28-8622-C12(2X8 EMI GO/GO LED)	V1.0

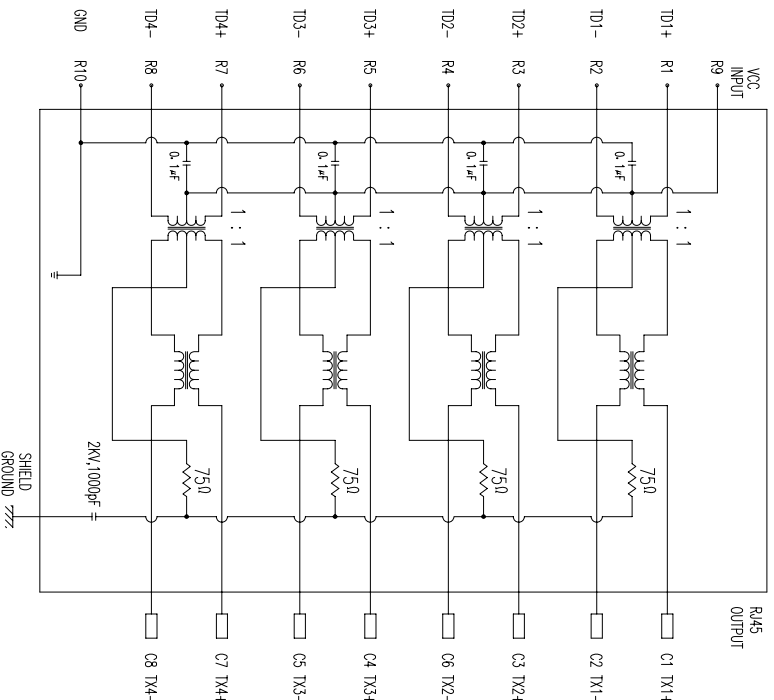
A

A

B

B

SHEMATIC RV1



ELECTRICAL SPECIFICATIONS AT 25°C

Insertion Loss dB max	Return Loss dB min	Crosstalk(db TYP)	Common Mode Rejection (dB TYP)	Hipot(Vrms)
1-100MHz	1-30MHz	30-60MHz	60-100MHz	1-30MHz
-1.0	-18	-16	-12	-40
				-35
				-30
				-20
				1500/0.5mA

DESCRIPTION

R45 With internal Magnetics Connector

Designed to support such applications as: Ethernet Equipment Complex, Switches, Routers, Firewalls, Servers and Hub Internal magnetics are 100% electrically tested for functionality per IEEE802.3 requirement

**ELECTRICAL:**  
RoHS peak wave solder temperature rating 235°C  
High performance for maximum EMI suppression  
350µH minimum OCL with 8mA bias current  
PoE rating: 15W, 350mA, 48V (For PoE Products only)

JACK CAVITY CONFORMS TO FCC RULES AND REGULATIONS, PART 68 SUBPART F.

**MECHANICAL:**  
INSERTION FORCE: 2 CONTACTS-----350g 4 CONTACTS-----500g  
6 CONTACTS-----750g 8 CONTACTS-----900g  
10 CONTACTS-----1050g

RETENTION STRENGTH: 7.7Kgs BETWEEN JACK AND PLUG  
DURABILITY: 750 MATING CYCLES Min

**HOUSING:** 1) GLASS FILLED PA66 (UL 94V-0)  
2) GLASS FILLED PA46/LCP (UL 94V-0)  
3) GLASS FILLED PBT (UL 94V-0)

**SPRING WIRE:** 1) 0.2-0.45mm DIA PHOSPHOR BRONZE GOLD PLATING OVER NICKEL  
2) 0.2-0.35mm THICKNESS PHOSPHOR BRONZE ALLOY SELECTIVE GOLD PLATING OVER NICKEL  
3) 0.12-0.24mm THICKNESS COPPER ALLOY WITH TIN PLATED

**MATERIAL:**

**SHIELDING:** 0.12-0.24mm THICKNESS COPPER ALLOY WITH TIN PLATED  
**GOLD PLATING:** 3µ", 6µ", 15µ", 30µ", 50µ"  
**WORKING TEMPERATURE:** -20°C to 70°C

**TOLERANCES UNLESS OTHERWISE SPECIFIED :** 0-10±0.15, 10-20±0.2, 20-40±0.25, 40-70±0.3, >70±0.4

"B" with the company code  
Series of products: 60 double deck R45 connector + transformer series; In station transformer series; 90 double deck R45 connector + transformer series; In vertical footprint: 50; Single R45 + transformer series; 52/53/55/56 LED/56/57/59; Ordinary R45 series; 1K; that strip Line series; 40; Conversion said Connectivity 80; Series that UK; 91; Automotive connector public Block; 92; Automotive connector another Block; 93; IHMI the head; 94; IHMI another Block; 95; SMT series; 96; SMT for articles

**Family code (sequence ID) : 1-99**  
Type of product code: G: Gridin R45 transformer; F: 1000 Series R45 transformer; H: 1000 Series for board-on-board code  
**Number of magnetic ring**  
**The No. of circuit**

Product definition LOGO: 1 - Press "B-TOP"-2- No "B-TOP"; 3 - Other companies LOGO  
Product definition plastic materials: 1-PA66 2-PA46, 3-PA, 4-PA6, 5-PPBT, 6-ABS, 7-PA9T, 8-PC  
Pin definition of the product: F- Pin after; B- Pin back; C- No definition of the product  
Electroplating product definition: gold-plated terminals (depression after nickel plated) 1-4µ" ; 2-3µ" ; 3-6µ" ; 4-15µ" ; 5-30µ" ; 6-50µ" ; 7-75µ" ; 8-120µ" ; 9-150µ"

Product shielding definition: 0 - no shielding shell; 1 - without shielding shell strap; 2 - shielding a shell strap; 3 - a half-shield shell  
Products luminous definition: 0 - No LED; 1 - Left Yellow Right Green; 2 - Left Green Right Yellow; 3 - Double Green; 4 - Double Yellow; 5 - LED straight for the pin; 6 - A special definition; 7 - Single Illumer LEDs  
Products out port: "20" "292" "424" "525" "626" "828" "11" "B-1" "C-14" "D-15" "E-16" "F-18" "H-(039445)" "I-18 JP1" "K-18 JP2" "L-18 JP3"

**BTOP**

东莞市博腾电子科技有限公司  
Dongguan BroadTop Electronic Technology Co., Ltd.

Designed

Checked

Approved

FIRST ANGLE PROJECTION



CUSTOMER MODEL NO.

MODEL NO.

MATERIAL

SCALE 1.8:1

UNIT mm

MODEL NO.

BT G8-28

B80020002811

REV.