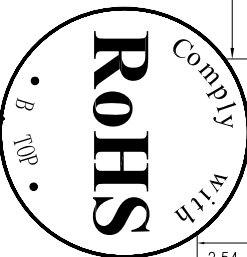
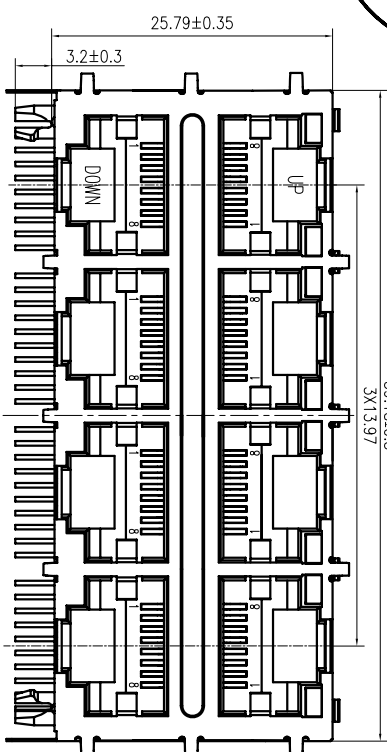
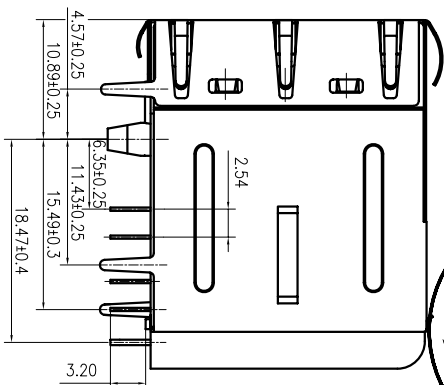


LED Specification

Standard LED Color	LED Wavelength (nm)	Forward (V MAX)	Typical (V TYP)	Luminous Intensity (mcd)
Green	560-580 nm	2.5V	2.1-2.2V	9-25 MCD
Yellow	580-610 nm	2.5V	2.1-2.2V	9-30 MCD
Orange	580-610 nm	2.5V	2.1-2.2V	50-100 MCD

- LED intensity/wavelength measured with Photo Research PR-650 Colormeter
- With a forward current of 20 mA, Absolute Maximum Ratings (Ta=25°C)

- TOLERANCES UNLESS OTHERWISE SPECIFIED :
0~10±0.15, 10~20±0.2, 20~40±0.25, 40~70±0.3, >70±0.4
- JACK CAVITY CONFORMS TO FCC RULES AND REGULATIONS, PART 68 SUBPART F.



BROADTOP 东莞市博腾电子科技有限公司
Dongguan BroadTop Electronic Technology Co., Ltd.

FIRST ANGLE PROJECTION	CUSTOMER MODEL NO.	Checked	Desi gned
		Approved	

MATERIAL	SCALE	UNIT	MODEL NO.	DESCRIPTION	REV.
	1.5:1	mm		B60(115-04)F4-02-4722-C12(2X4 EMI 单脚共脚)	V1.1

DESCRIPTION

RJ45 With internal Magnetics Connector

Design to support such applications as: Ethernet Equipment, Complex Switches, Routers, Firewalls, Servers and Hub

Internal magnetics are 100% electrically tested for functionality per IEEE802.3 requirement

High performance for maximum EMI suppression

350uH minimum OCL with 8mA bias current

PoE rating: 15W, 350mA, 48V (For PoE Products only)

JACK CAVITY CONFORMS TO FCC RULES AND REGULATIONS, PART 68 SUBPART F.

INSERTION FORCE: 2 CONTACTS-----350g 4 CONTACTS-----500g

6 CONTACTS-----750g 8 CONTACTS-----900g

10 CONTACTS-----1050g

RETENTION STRENGTH: 7.7kgs BETWEEN JACK AND PLUG

DURABILITY: 750 MATING CYCLES Mini

HOUSING: 1) GLASS FILLED PA66 (UL 94V-0)

2) GLASS FILLED PA46/LOP (UL 94V-0)

3) GLASS FILLED PBT (UL 94V-0)

SPRING WIRE: 1) 0.2-0.45mm DIA PHOSPHOR BRONZE GOLD PLATING OVER NICKEL

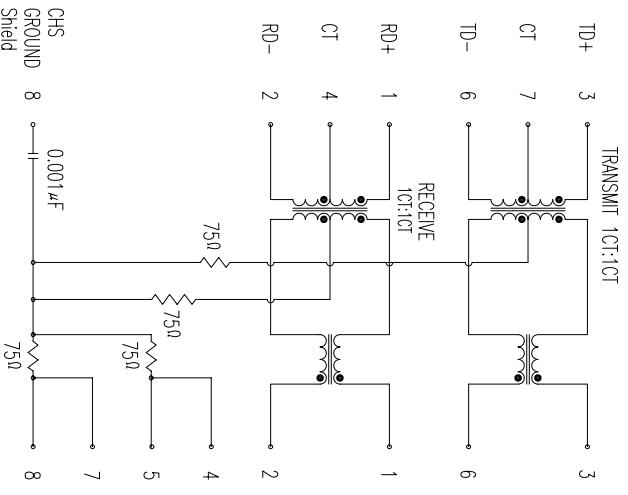
2) 0.2-0.35mm THICKNESS PHOSPHOR BRONZE ALLOY SELECTIVE GOLD PLATING OVER NICKEL

SHIELDING: 0.12-0.24mm THICKNESS COPPER ALLOY WITH TIN PLATED

GOLD PLATING: 3u", 6u", 15u", 30u", 50u"

WORKING TEMPERATURE: -20 to 70°C

TOLERANCES UNLESS OTHERWISE SPECIFIED : 0~10±0.15, 10~20±0.2, 20~40±0.25, 40~70±0.3, >70±0.4



ELECTRICAL SPECIFICATIONS AT 25 °C

Insertion Loss dB max	Return Loss dB min	Cross talk (dB TYP)	Common Mode Rejection (dB TYP)	Hypod (Vrms)						
1-100MHz	1-30MHz	30-60MHz	60-100MHz	1-30MHz	30-60MHz	60-100MHz	1-30MHz	30-60MHz	50-150MHz	1500/0.5mA
-1.0	-18	-16	-12	-40	-35	-30	-30	-20		

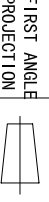


东莞市博腾电子科技有限公司
Dongguan BroadTop Electronic Technology Co., Ltd.

Designed

Checked

Approved



CUSTOMER MODEL NO.
Appr oved

MATERIAL

SCALE 1.8:1

UNIT mm

MODEL NO.

DESCRIPTION

B F4-02

B80010000211

REV.

B N (Z) G X - M - A B C D - E H I

*B" with the company code

Series of products: 60 Double deck RJ45 connector + transformer series (in shielding footprint); 59 Double deck RJ45 connector + transformer series (in vertical footprint); 50 Single RJ45 + transformer series; 53/55/56 EBU/66/57/59 ordinary RJ45 series; DIX, their strip line series; 40 Conversion said Connectivity 80 Series that UK; 91 Automotive connector public Block; 93; 100M1 this head; 94; 100M number Block; 95; SMT series; 96; BHS for surface

Family code (sequence id): 1-99

Type of product code: G: Gigabit RJ45 transformer; F: 100base RJ45 transformer; K: for transformer RJ45 products; R: series for thumb-forward code

Number of magnetic ring

Linear LIBS

Product definition: 0 - no shielding shell; 1 - without shielding shell; 2 - shielding a shell; 3 - a half-shielded shell; 4 - No LED; 1 - Left Yellow Right Green; 2 - Left Green Right Yellow; 3 - Double Green; 4 - Double Yellow; 5 - LED straight for the pin; 6 - A special definition; * - Single

Product definition: 1 - 5A1T; 2 - 2X2T; 4 - 4X4T; 5 - 2G5T; 6 - 2A6T; 7 - A1T; 8 - A2T; 9 - A3T; E - 1A6T; F - 1A8T; G - 1A8H(A5T); H - 1A8H (A11); I - 1A8H (A12); K - 1A8H (A13A)

Product definition LOGO: 1 - Press "B"-TOP"2- No "B"-TOP"3 - Other companies LOGO

Product definition plastic materials: 1-P,PA66,2-P,PA66,3-PA,4-PA6,5-P,BT,6-ABS,7-P,AGT,8-PC

Pin definition of the product: F- Pin after; B- Pin back; C- No definition of the product

Electroplating product definition: gold-plated terminals (e.g. silver nickel plated) 1-Fu; 2-A3; 3-5u; 4-15u; 5-50u; 6-50u; 7-40-50u; 8-80u-120u; 9-

Product definition: 0 - no shielding shell; 1 - without shielding shell; 2 - shielding a shell; 3 - a half-shielded shell; 4 - No LED; 1 - Left Yellow Right Green; 2 - Left Green Right Yellow; 3 - Double Green; 4 - Double Yellow; 5 - LED straight for the pin; 6 - A special definition; * - Single