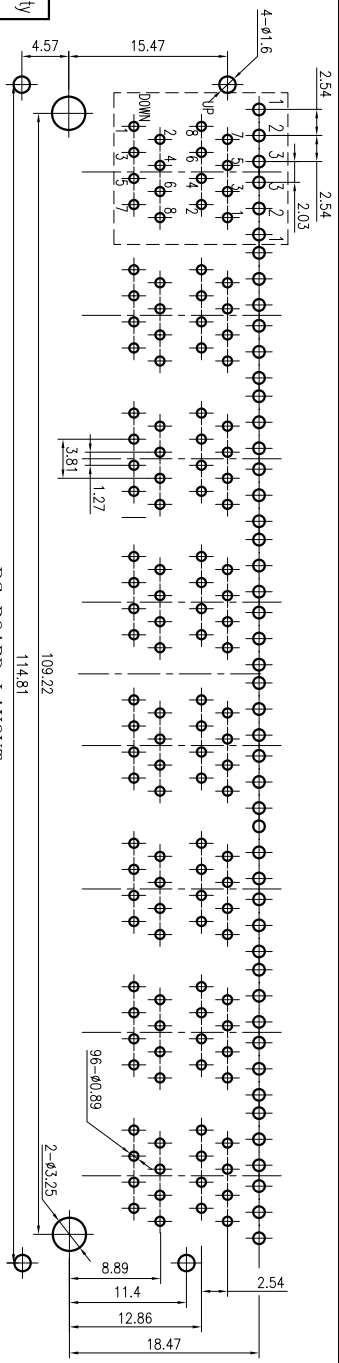
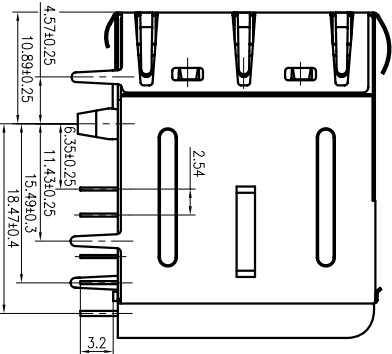
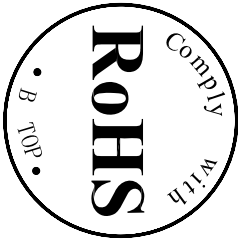


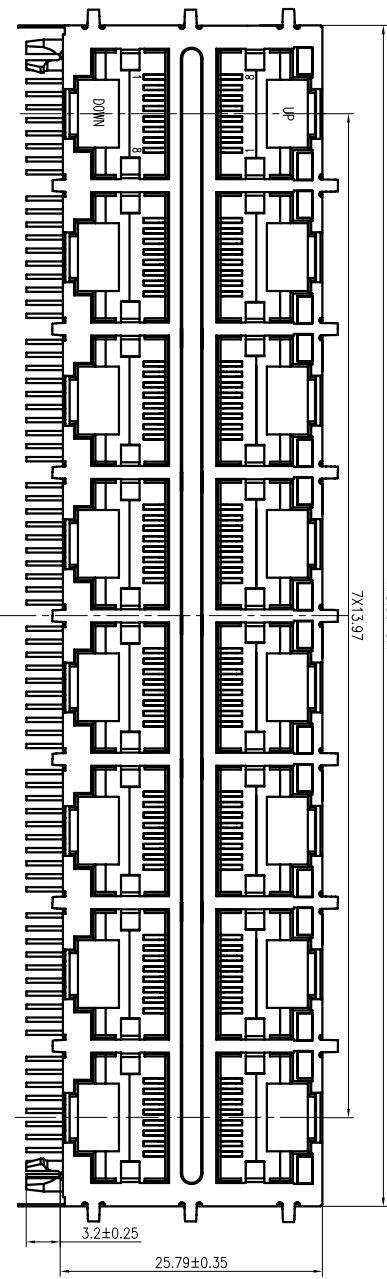
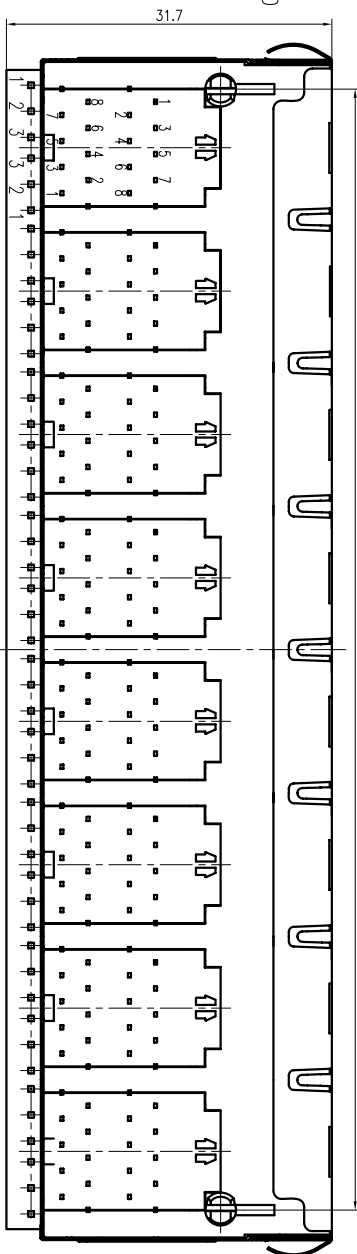
### LED Specification

Standard LED Color	LED Wavelength (nm)	Forward (V MAX)	Typical (V TYP)	Luminous Intensity (mcd)
Green	560-580 nm	2.5V	2.1-2.2V	9-25 MCD
Yellow	580-610 nm	2.5V	2.1-2.2V	9-30 MCD
Orange	580-610 nm	2.5V	2.1-2.2V	50-100 MCD

- LED intensity/wavelength measured with Photo Research PR-650 Colormeter
  - With a forward current of 20 mA, Absolute Maximum Ratings ( $t_a=25^\circ\text{C}$ )
- 1: TOLERANCES UNLESS OTHERWISE SPECIFIED :  
 0~10 $\pm$ 0.15, 10~20 $\pm$ 0.2, 20~40 $\pm$ 0.25,  
 40~70 $\pm$ 0.3,  $\geq$ 70 $\pm$ 0.4
- 2: JACK CAVITY CONFORMS TO FCC RULES AND REGULATIONS, PART 68 SUBPART F.



### PC BOARD LAYOUT



**东莞市博腾电子科技有限公司**  
 Dongguan BroadTop Electronic Technology Co., Ltd.

FIRST ANGLE PROJECTION	CUSTOMER MODEL NO.

Designed	MATERIAL	DESCRIPTION	REV.
Checked	SCALE 1.4:1	B60(210-01)F4-02-8722-C12(2X8 EMI 共轭半排LED)	
Approved	UNIT mm	MODEL NO.	

### DESCRIPTION

RJ45 With internal Magnetics Connector

Design to support such applications as: Ethernet Equipment, Complex Switches, Routers, Firewalls, Servers and Hub

Internal magnetics are 100% electrically tested for functionality per IEEE802.3 requirement

High performance for maximum EMI suppression

350uH minimum OCL with 8mA bias current

PoE rating: 15W, 350mA, 48V (For PoE Products only)

JACK CAVITY CONFORMS TO FCC RULES AND REGULATIONS, PART 68 SUBPART F.

INSERTION FORCE: 2 CONTACTS-----350g 4 CONTACTS-----500g

6 CONTACTS-----750g 8 CONTACTS-----900g

10 CONTACTS-----1050g

RETENTION STRENGTH: 7.7kgs BETWEEN JACK AND PLUG

DURABILITY: 750 MATING CYCLES Mini

HOUSING: 1) GLASS FILLED PA66 (UL 94V-0)

2) GLASS FILLED PA46/LCP (UL 94V-0)

3) GLASS FILLED PBT (UL 94V-0)

SPRING WIRE: 1) 0.2-0.45mm DIA PHOSPHOR BRONZE GOLD PLATING OVER NICKEL

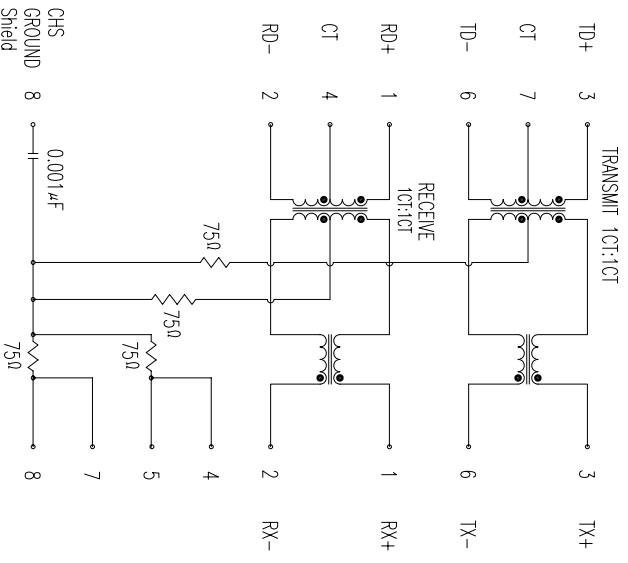
2) 0.2-0.35mm THICKNESS PHOSPHOR BRONZE ALLOY SELECTIVE GOLD PLATING OVER NICKEL

SHIELDING: 0.12-0.24mm THICKNESS COPPER ALLOY WITH TIN PLATED

GOLD PLATING: 3u", 6u", 15u", 30u", 50u"

WORKING TEMPERATURE: -20 to 70°C

TOLERANCES UNLESS OTHERWISE SPECIFIED : 0~10±0.15, 10~20±0.2, 20~40±0.25, 40~70±0.3, >70±0.4



### ELECTRICAL SPECIFICATIONS AT 25 °C

Insertion Loss dB max	Return Loss dB min	Cross talk (dB TYP)	Common Mode Rejection (dB TYP)	Hypod (Vrms)								
1-100MHz	1-30MHz	30-60MHz	60-100MHz	1-30MHz	30-60MHz	60-100MHz	1-30MHz	30-60MHz	60-100MHz	1-30MHz	50-150MHz	1500/0.5mA
-1.0	-18	-16	-12	-40	-35	-30	-30	-20				

"B" with the company code  
 Series of products: 60 Double deck RJ45 connector + transformer series (in shielding footprint); 59 Double deck RJ45 connector + transformer series (in vertical footprint); 50 Single RJ45 + transformer series; 53/55/56 EBU/66/57/59 ordinary RJ45 series; DIX, their strip line series; 40 Conversion said Connectivity 80 Series that UK; 91 Automotive connector public Block; 92; 100M the head; 94; JMI number Block; 95; SMT series; 96; BHS for surface

Family code (sequence id): 1-99  
 Type of product code: G: Gigabit RJ45 transformer; F: 100base RJ45 transformer; K: for transformer RJ45 products; R: series for thumb-forward code

Number of magnetic ring  
 The No. of circuit

Product definition LOGO: 1-Press "B"-TOP"2- No "B"-TOP"; 3-Other companies LOGO

Product definition plastic materials: 1-P,PA66,2-P,PA6,3-PA,4-PA6,5-P,BT,6-ABS,7-PA9T,8-PC

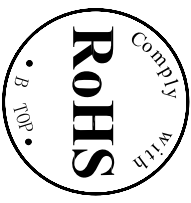
Pin definition of the product: F-Ph after; B-Ph back; C- No definition of the product

Electroplating product definition: gold-plated terminals (e.g. silver nickel plated) 1-F; 2-23; 3-50; 4-15; 5-50; 6-50; 7-40; 8-50; 9-120; 10-1

Product shielding definition: 0 - no shielding shell; 1 - without shielding shell; 2 - shielding a shell; 3 - a half-shielded shell

Products luminous definition: 0 - No LED; 1 - Left Yellow Right Green; 2 - Left Green Right Yellow; 3 - Double Green; 4 - Double Yellow; 5 - LED straight for the pin; 6 - A special definition; 7 - Single

Linear LEDs  
 Products with part: 1-50T 2-20T 4-24T 5-20T 6-20T 7-24T 8-14T 9-14T 0-10T  
 F-100 F-140 U-100M(A5) F-140 U(X) F-140 U(X) K-140 U(X)



**BroadTop**  
 东莞市博腾电子科技有限公司  
 Dongguan BroadTop Electronic Technology Co., Ltd.

FIRST ANGLE PROJECTION	CUSTOMER	DESIGNED	MATERIAL	DESCRIPTION	REV.
	MODEL NO.	Checked	SCALE 1.8:1	UNIT mm	MODEL NO. B80010000211
		Approved			