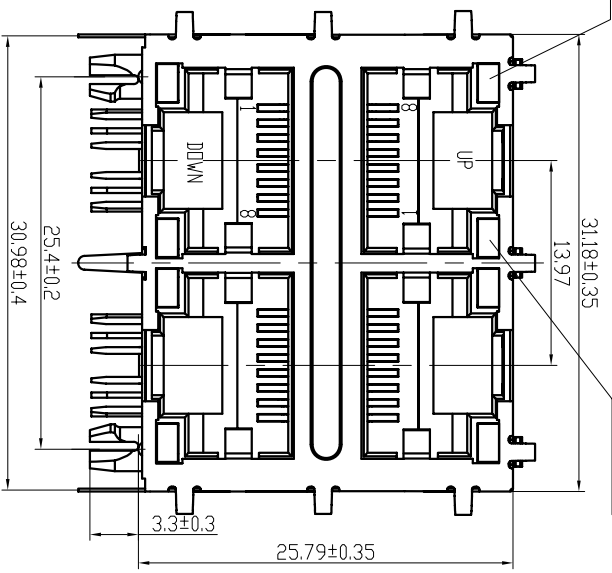
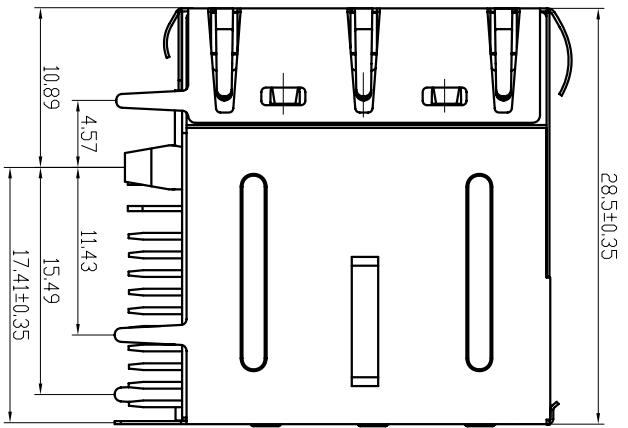


**LED Specification**

Standard LED Color	LED Wavelength (nm)	Forward (V MAX)	Typical (V TYP)	Luminous Intensity
Green	560-580 nm	2.5V	2.1-2.2V	9-25 MCD
Yellow	580-610 nm	2.5V	2.1-2.2V	9-30 MCD
Orange	580-610 nm	2.5V	2.1-2.2V	50-100 MCD

1. LED Intensity/wavelength measured with Photo Research PR-650 Colorimeter  
 2. With a forward current of 20 mA, Absolute Maximum Ratings (Ta=25°C)

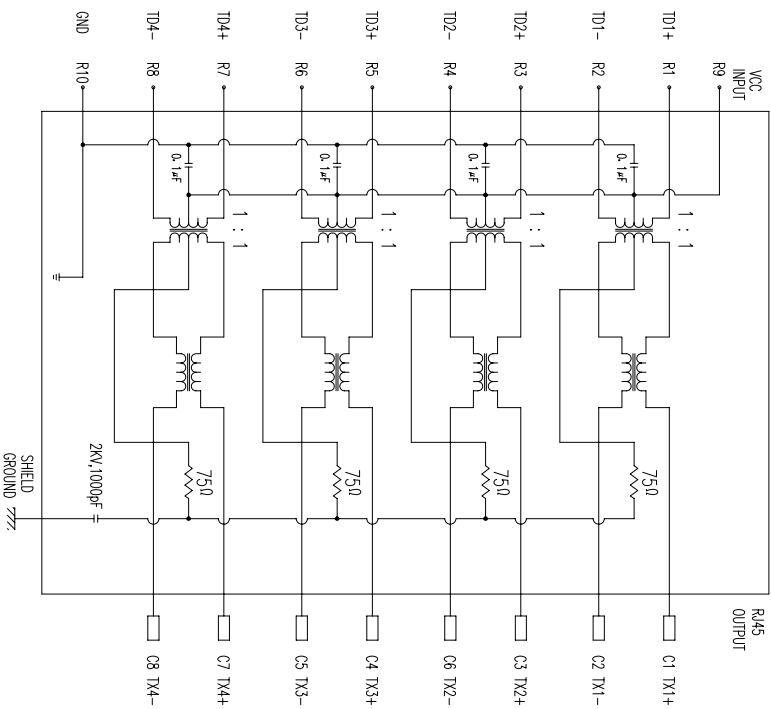
1: TOLERANCES UNLESS OTHERWISE SPECIFIED :  
 0~10±0.15, 10~20±0.2, 20~40±0.25,  
 40~70±0.3, >70±0.4  
 2: JACK CAVITY CONFORMS TO FCC RULES AND REGULATIONS, PART 68 SUBPART F,



**BTOP**  
 东莞市博腾电子科技有限公司  
 Dongguan BroadTop Electronic Technology Co., Ltd.

FIRST ANGLE PROJECTION		CUSTOMER	Designed	MATERIAL	SCALE	UNIT	MODEL NO.	DESCRIPTION	REV.
		MODEL NO.	Checked						
			Approved						

SHEMATIC RV1



ELECTRICAL SPECIFICATIONS AT 25°C

Insertion Loss dB max	Return Loss dB min	Crosstalk(dB TYP)	Common Mode Rejection (dB TYP)	Hipot(Vrms)
1-100MHz	1-30MHz 30- 60MHz 60- 100MHz	1-30MHz 30- 60MHz 60- 100MHz 1-50MHz 50-150MHz		
-1.0	-18	-16	-12	-40
			-35	-30
			-30	-20
				1500/0.5mA

DESCRIPTION

R45 With internal Magnetics Connector

Design to support such applications as:Ethernet Equipment Complex,Switches,Routers,Firewalls,Servers and Hub Internal magnetics are 100% electrically tested for functionality per IEEE802.3 requirement

ELECTRICAL: RoHS peak wave solder temperature rating 235°C High performance for maximum EMI suppression 350uH minimum OCL with 8mA bias current PoE rating:15W,350mA,48V (For PoE Products only)

JACK CAVITY CONFORMS TO FCC RULES AND REGULATIONS,PART 68 SUBPART F.

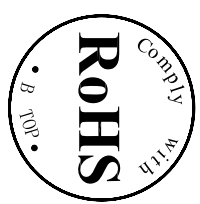
INSERTION FORCE: 2 CONTACTS-----350g 4 CONTACTS-----500g 6 CONTACTS-----750g 8 CONTACTS-----900g 10 CONTACTS-----1050g

MECHANICAL: RETENTION STRENGTH: 7.7Kgs BETWEEN JACK AND PLUG DURABILITY: 750 MATING CYCLES Min

HOUSING: 1) GLASS FILLED PA66 (UL 94V-0) 2) GLASS FILLED PA46/LCP (UL 94V-0) 3) GLASS FILLED PBT (UL 94V-0)

SPRING WIRE: 1) 0.2-0.45mm DIA PHOSPHOR BRONZE GOLD PLATING OVER NICKEL 2) 0.2-0.35mm THICKNESS PHOSPHOR BRONZE ALLOY SELECTIVE GOLD PLATING OVER NICKEL 3) 0.12-0.24mm THICKNESS COPPER ALLOY WITH TIN PLATED

MATERIAL: SHIELDING: 0.12-0.24mm THICKNESS COPPER ALLOY WITH TIN PLATED GOLD PLATING: 3u", 6u", 15u", 30u", 50u" WORKING TEMPERATURE: -20°C~70°C TOLERANCES UNLESS OTHERWISE SPECIFIED : 0~10±0.15, 10~20±0.2, 20~40±0.25, 40~70±0.3, >70±0.4



B N (Z) G X - M - A B C D - E H I

"B" with the company code

Series of products: 60:Double deck R45 connector + transformer series;In stations footprint); 80:Double deck R45 connector + transformer series;In vertical footprint); 90: Single R45 + transformer series;52,53,55,56 LED;56/57,59: Ordinary R45 series;3K: that scrip line series; 40: Conversion said Connectivity 80: Series that UK; 91: Automotive connector public Block; 92: Automotive connector another Block; 93: IHMI the head;94: IHMI another Block; 95: SMT series; 96: RRS for services

Family code (sequence ID): 1-99

Type of product code: G: GigaBit R45 transformer; F: 100Base R45 transformer; K: for m transformer R45 products; H: Series for hood-chose code

Number of magnetic ring

The No. of circuit

Product definition LOGO: 1 - Press "B-TOP"-2 No "B-TOP"; 3 - Other companies LOGO

Product definition plastic materials: 1-PA66 2-PA46, 3-PA, 4-PA6, 5-PBT, 6-ABS, 7-PA9T, 8-PC

Pin definition of the product-F: Pin after; B: Pin back; C: No definition of the product

Electroplating product definition: gold-plated terminals(depress after nickel plated) 1-4" " " 2-3" " " 3-6" " " 4-15" " " 5-30" " " 6-50" " " 7-N/50" " " 8-80" " " 9-120" " "

Product shielding definition: 0 - no shielding shell; 1 - without shielding shell strap; 2 - shielding a shell strap; 3 - a half-shield shell

Products luminous definition: 0 - No LED; 1 -Left Yellow Right Green; 2 -Left Green Right Yellow; 3 - Double Green; 4 - Double Yellow; 5 - LED straight for the pin; 6 - A special definition; \* -Single Illumer LEDs

Products out port: "20" "20Z" "42M" "52M" "62M" "82M" "11" "B-12" "C-14" "D-15" "E-18" "F-18" "G-18M" "H-18" "I-18" "J-18" "K-18" "L-18" "M-18" "N-18" "O-18" "P-18" "Q-18" "R-18" "S-18" "T-18" "U-18" "V-18" "W-18" "X-18" "Y-18" "Z-18"

BTOP 东莞市博腾电子科技有限公司 Dongguan BroadTop Electronic Technology Co., Ltd.

FIRST ANGLE PROJECTION		CUSTOMER	Checked	DESIGN	Designed	MATERIAL	SCALE	UNIT	MODEL NO.	DESCRIPTION	REV.
		MODEL NO.	Approved				1.8:1	mm	B80020002811	BT G8-28	