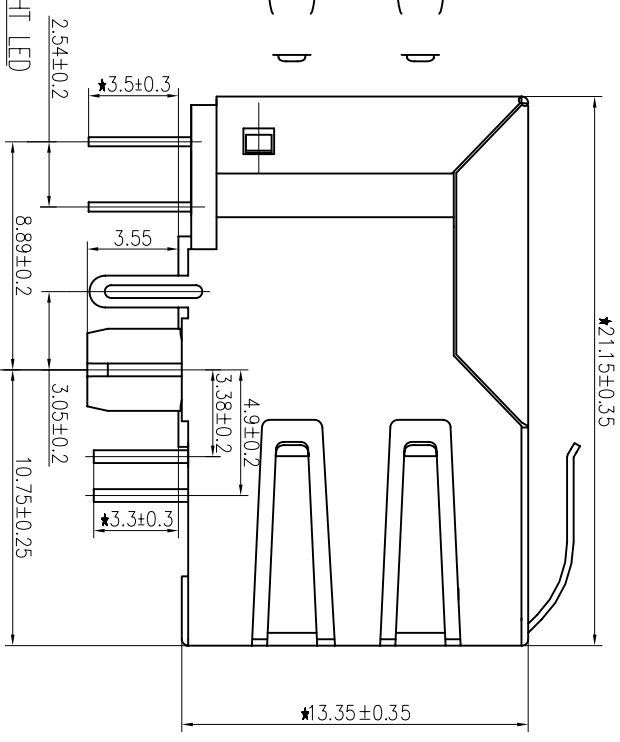
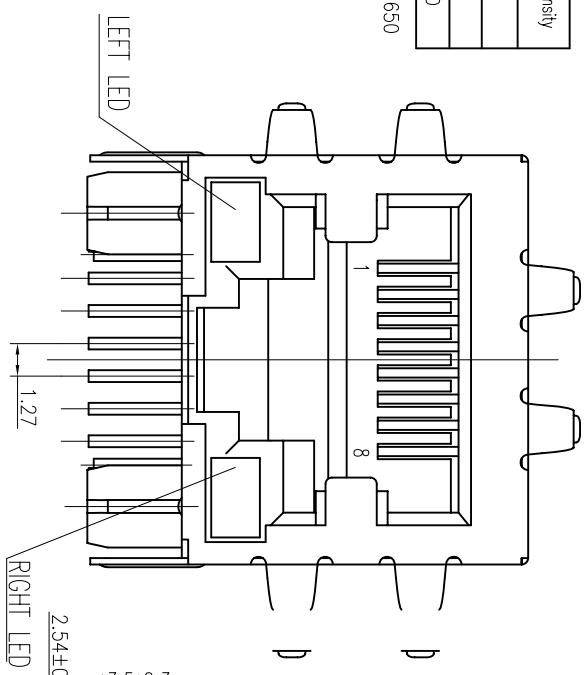
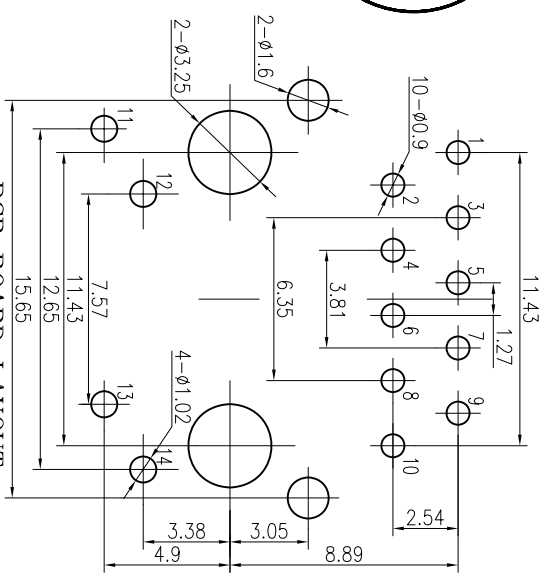


**LED Specification**

Standard LED Color	LED Wavelength	Forward (V MAX)	Typical (V TYP)	Luminous Intensity
Green	560-580 nm	2.5V	2.1-2.2V	9-25 MCD
Yellow	580-610 nm	2.5V	2.1-2.2V	9-30 MCD
Orange	580-610 nm	2.5V	2.1-2.2V	50-100 MCD

1. LED intensity/wavelength measured with Photo Research PR-650 Colormeter
2. With a forward current of 20 mA, Absolute Maximum Ratings ( $T_a=25^\circ\text{C}$ )

1. TOLERANCES UNLESS OTHERWISE SPECIFIED :  
0~10±0.15, 10~20±0.2, 20~40±0.25,  
40~70±0.3, >70±0.4
2. JACK CAVITY CONFORMS TO FCC RULES AND REGULATIONS, PART 68 SUBPART F.



**B-TOP® 东莞市博腾电子科技有限公司**  
Dongguan BroadTop Electronic Technology Co., Ltd.

TEL: 0769-38926198  
FAX: 0769-38926199  
www.BtopTech.com  
Website: www.BtopTech.com

FIRST ANGLE PROJECTION

2017/09/19

Designed

Checked

Approved

MATERIAL

SCALE

3.5:1

UNIT

mm

MODEL NO.

DESCRIPTION B50(27-11)FP4-151-A623-B52(1X1 B LED EMI)

REV.

V1.1

### DESCRIPTION

**ELECTRICAL:** RJ45 With internal Magnetics Connector

Designed to support such applications as: Ethernet Equipment Complex, Switches, Routers, Firewalls, Servers and Hub  
Internal magnetics are 100% electrically tested for functionality per IEEE802.3 requirement  
RoHS peak wave solder temperature rating 235°C  
High performance for maximum EMI suppression  
350uH minimum OCL with 8mA bias current

POE rating: 15W 350mA, 48V, PoE+ rating: 30W, 750mA, 57V, PoE++ rating: 60W, 1000mA, 57V (For PoE Products only)

**MECHANICAL:** JACK CAVITY CONFORMS TO FCC RULES AND REGULATIONS, PART 68 SUBPART F.

**INSERTION FORCE:** 8 CONTACTS--900g, 10 CONTACTS--1050g

**RETENTION STRENGTH:** 7.7Kgs BETWEEN JACK AND PLUG

**DURABILITY:** 750 MATING CYCLES Mini

- MATERIAL:**
- 1) GLASS FILLED PA66 (UL 94V-0)
  - 2) GLASS FILLED PA46/PA6T/PA9T/ICP(265°C) (UL 94V-0)
  - 3) GLASS FILLED PBT/PA/ABS/PC (UL 94V-0)

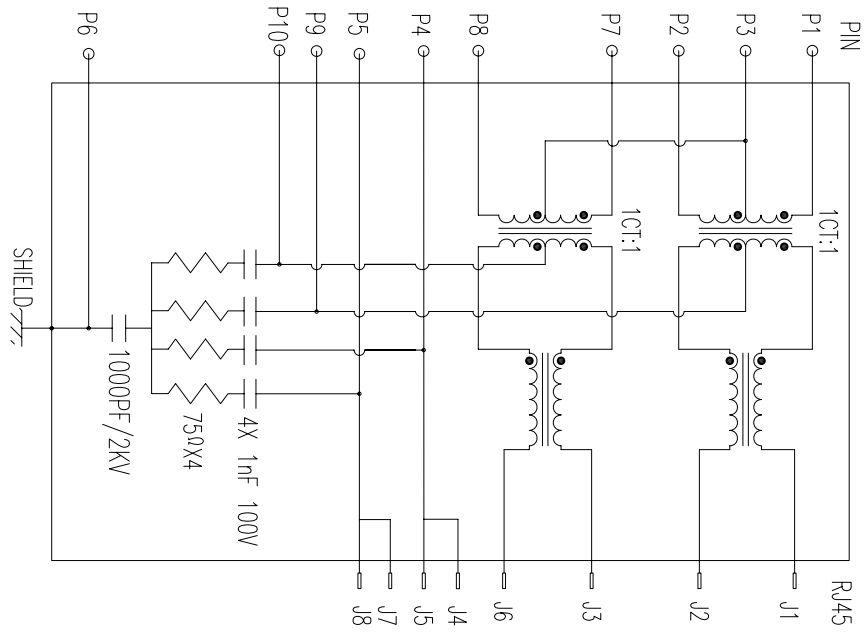
**SPRING WIRE:** 0.25-0.35mm THICKNESS PHOSPHOR BRONZE ALLOY SELECTIVE GOLD PLATING OVER NICKEL(50-80µ" ) OVER TINK(60-120µ" )

**GOLD PLATING:** 3µ" , 6µ" , 15µ" , 30µ" , 50µ"

**SHIELDING:** 0.2-0.24mm THICKNESS COPPER ALLOY WITH NICKEL(50-100µ" ) PLATED

**Storage:** -40°C~85°C Relative Humidity<70%

**Operating:** -20°C~+70°C



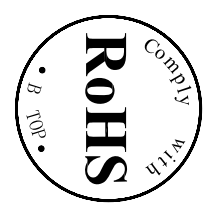
### ELECTRICAL SPECIFICATIONS AT 25°C

Insertion Loss dB max	Return Loss dB min	Crosstalk(dB TYP)	Common Mode Rejection (dB TYP)	Hipot(Vrms)
1-125MHz	1-30MHz	30- 80MHz	1- 100MHz	1-100MHz
-1.2	-18	-18+20log(f/30MHz)	-30	-30

**"B" with the company code**  
Series of products: 80-double deck RJ45 connector + transformer series(In sliding footprint); 80-double deck RJ45 connector + transformer series(In vertical footprint);50: Single RJ45 + transformer series;52:59:59:58 LED;86:57:89: ordinary RJ45 series;10X: that strip line series; 40: conversion said Connectivity 80: Series that D: 91: Automotive connector public block;92: HDM the head;94: HDM mother block; 95: SMT series; 96: MHS for strikers

**Family code (sequence id): 1-99**  
Type of product code: 16-digit first transformer: F; 10-digit RJ45 transformer: P; 10-digit connector: R; 16-digit series: S; 10-digit material: M; 10-digit color: C; 10-digit length: L; 10-digit number of magnetic ring

**Product definition LOGO:** 1-Press "B"-TOP"2-No "B"-TOP"-3-Other companies LOGO  
Product definition plastic materials: 1-PA66,2-PPA6,3-PA,4-PA6,5-PBT,6-ABS,7-PA9T,8-PC  
Pin definition of the product:F-Pin after "B-Pin back; C- No definition of the product  
Electroplating product definition: gold-plated terminals(degree after nickel plated) 1-Fin " : <math>2-3\mu\text{"}</math> ; 3-e" : <math>4-15\mu\text{"}</math> ; 5-50µ" : <math>6-50\mu\text{"}</math> ; 7-(Ni-50µ" ; 5n-80-120µ" ) ;  
Product shielding definition: 0 - no shielding shield 1 - without shielding shield shiranone; 2 - shielding a shell shiranone; 3 - a half-shield shell  
Product luminous definition: 0 - No LED 1-Left Yellow Right Green 2 -Left Green Right Yellow 3 -Double Green 4 -Double Yellow 5 -LED straight for the pin 6 -A special definition" - Single  
Literat LEDs  
Product out part "2X1" 2-2X2 "4-4X4" 5-2X5" 6-2X6" 8-2X8" A-X1" B-X1" C-X1" D-X1  
"E-X8" "E-X8" U-(08X4x5)" "I-108 U"V1" "I-108 U"V2" "I-108 U"V2" "I-108 U"V4"



**B-TOP®** 东莞市博腾电子科技有限公司  
Dongguan BroadTop Electronic Technology Co., Ltd.

FIRST ANGLE PROJECTION		TEL: 0769-38926198	Designed	MATERIAL	SCALE 1.8:1	UNIT mm	MODEL NO.	DESCRIPTION	REV.
		FAX: 0769-38926199	Checked						
		Website: www.BroadTopTech.com	Approved						

BT FP4-151

B

A

B

A