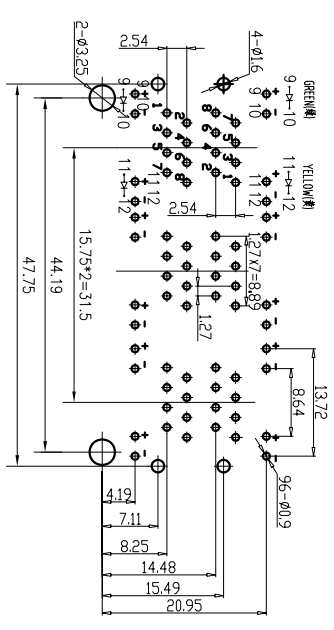
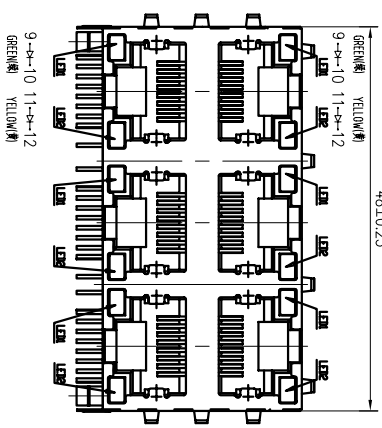
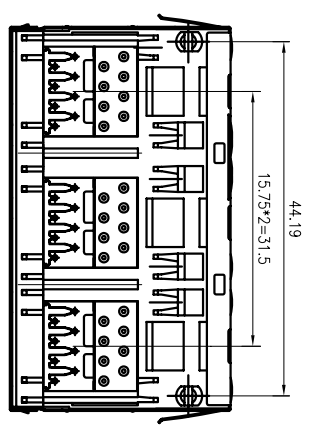
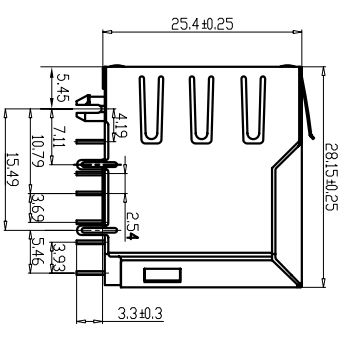


A

A

GREEN(绿) YELLOW(黄)

LED1 10 LED2 12



PC Board Layout

NOTICE

**ELECTRICAL:**  
 CURRENT RATING: 1.5A VOLTAGE RATING: 125V AC INSULATION RESISTANCE: 500MΩ Mini  
 WITHSTAND VOLTAGE: AC 1500 V RMS 50HZ OR 60Hz 1 Min CONTACT RESISTANCE: 20mΩ Max

**MECHANICAL:**  
 INSERTION FORCE: 2 CONTACTS-----3500g, 4 CONTACTS-----5000g,  
 6 CONTACTS-----7500g, 8 CONTACTS-----9000g, 10 CONTACTS-----10500g ;  
 RETENTION STRENGTH: 7.7kg BETWEEN JACK AND PLUG  
 DURABILITY: 750 MATING CYCLES Mini;

**MATERIAL:**  
 HOUSING: 1) GLASS FILLED PA66 (UL 94V-0), 2) GLASS FILLED PA46 (UL 94V-0)  
 3) GLASS FILLED PBT (UL 94V-0)  
 SPRING WIRE: 1) 0.45mm DIA PHOSPHOR BRONZE GOLD PLATING OVER NICKEL  
 2) 0.35mm THICKNESS PHOSPHOR BRONZE ALLOY SELECTIVE GOLD PLATING OVER NICKEL  
 SHIELDING: 0.25mm THICKNESS COPPER ALLOY WITH TIN PLATED  
 GOLD PLATING: 3μ", 6μ", 15μ", 30μ", 50μ"  
 WORKING TEMPERATURE: -40℃~70℃

B N Z G - A B C D - E H I



"B" with the company code  
 Series of products: 30: Double RJ45 + transformer series; 50: Single RJ45 + transformer series; 52, 53, 55, 56 LED/56/57/59: Ordinary RJ45 series; 10K: thin strip line series; 40: Conversion said connectivity; 80: Series that the; 91: Automotive connector public Block; 92: Automotive connector Block; 93: HDMI the head; 94: HDMI another Block; 95: SIM series; 96: BMS for sensitive

**Family code (sequence id): 1-99**

Product definition: 0 - no shielding shell; 1 - without shielding shell strap; 2 - shielding a shell strap; 3 - a half-shield shell

Product definition LOGO: 1 - Press "B" - TOP  
 "2" - No "B" - TOP ; 3 - Other companies LOGO

Product definition plastic materials: 1 - PA66, 2 - PA46, 3 - PA, 4 - PA6, 5 - PBT, 6 - ABS, 7 - PA6T, 8 - PC

Pin definition of the product: F - Pin after "B" - Pin back; C - No definition of the product

Electroplating product definition: gold-plated terminals (degress after nickel plated) 1-F μ" : 2.3μ" ; 3-F μ" : 4.15μ" ; 4-F μ" : 5.30μ" ; 5-F μ" : 7.4(N±50 μ" ; Sn-90(±20 μ" ) ;



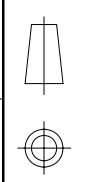
东莞市博腾电子科技有限公司  
 Dongguan BROADTOP Electronic Technology Co., Ltd.

Designed 杨国  
 Checked 吴礼刚  
 Approved 祝咏虹

MATERIAL

DESCRIPTION B59101-061WA-3222-C12U59 2X3 (G-Y)LED EMI

FIRST ANGLE PROJECTION



TEL: 0769-38928198  
 FAX: 0769-38928199  
 Website: http://www.btoptech.com

SCALE 1:1

UNIT mm

MODEL NO.

REV

B

B