

Specification

1:TOLERANCES UNLESS OTHERWISE SPECIFIED:
 0~10±0.15、10~20±0.2、20~40±0.25、
 40~70±0.3、≥70±0.4

2:JACK CAVITY CONFORMS TO FCC RULES AND
 REGULATIONS,PART 68 SUBPART F.



东莞市博腾电子科技有限公司
 Dongguan BROADTOP Electronic Technology Co., Ltd.

TEL: 0769-33928198
 FAX: 0769-33928199
 Website: <http://www.btoptech.com>

Designed: [Blank]
 Checked: [Blank]
 Approved: [Blank]

MATERIAL: [Blank]
 SCALE: 1:2:1
 UNIT: mm

DESCRIPTION: B59(163-07)58-10-6022-C12(2X6 EMI无前脚)
 REV: [Blank]

DESCRIPTION

RJ45 With internal Magnetics Connector

Designate to support such applications as:Ethernet Equipment Complex,Switches,Routers,Firewalls,Servers and Hub Internal magnetics are 100% electrically tested for functionality per IEEE802.3 requirement

ELECTRICAL:
RoHS peak wave solder temperature rating 235°C
High performance for maximum EMI suppression
350uH minimum OCL with 8mA bias current
PoE rating:15W,350mA,48V (For PoE Products only)

MECHANICAL:
JACK CAVITY CONFORMS TO FCC RULES AND REGULATIONS,PART 68 SUBPART F.
INSERTION FORCE: 2 CONTACTS-----350g 4 CONTACTS-----500g
6 CONTACTS-----750g 8 CONTACTS-----900g
10 CONTACTS-----1050g
RETENTION STRENGTH: 7.7Kgs BETWEEN JACK AND PLUG
DURABILITY: 750 MATING CYCLES Mini

HOUSING: 1) GLASS FILLED PA66 (UL 94V-0)
2) GLASS FILLED PA46/LCP (UL 94V-0)

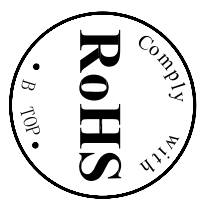
SPRING WIRE: 1) 0.2-0.45mm DIA PHOSPHOR BRONZE GOLD PLATING OVER NICKEL
2) 0.2-0.35mm THICKNESS PHOSPHOR BRONZE ALLOY SELECTIVE GOLD PLATING OVER NICKEL

SHIELDING: 0.12-0.24mm THICKNESS COPPER ALLOY WITH TIN PLATED

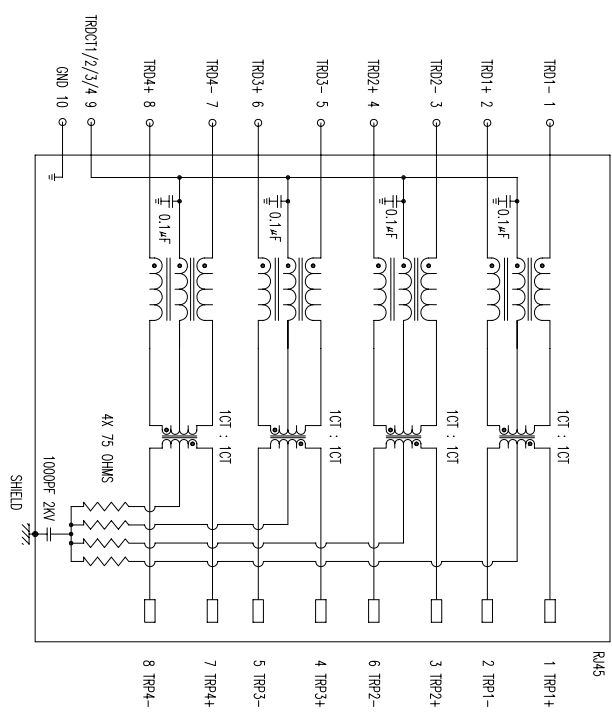
GOLD PLATING: 3μm, 6μm, 15μm, 30μm, 50μm

WORKING TEMPERATURE: -20°C~70°C

TOLERANCES UNLESS OTHERWISE SPECIFIED : 0~10±0.15, 10~20±0.2, 20~40±0.25, 40~70±0.3, >70±0.4



SCHEMATIC



ELECTRICAL SPECIFICATIONS AT 25 °C

Insertion Loss dB max	Return Loss dB min	Crosstalk (db TYP)	Common Mode Rejection (dB TYP)	Hypok(Vrms)
1-100MHz	1-30MHz 30-60MHz 60-100MHz	1-30MHz 30-60MHz 60-100MHz	1-50MHz 50-150MHz	1500/0.5mA
-10	-18	-16	-12	-40
				-35
				-30
				-30
				-20

"g" with the company code
Series of products: 60/Double deck RJ45 connector + transformer series(In shielding footprint); 80/Double deck RJ45 connector + transformer series(In vertical footprint); 50/Single RJ45 + transformer series;52/55/56/59/56/59; 0/Ordinary RJ45 series;3X: that series; 40: Conversion series; 50: Automotive connector Block;52: Automotive connector Block; 55: HDMI the head;56: HDMI moduler Block; 59: SMT series; 96: HHS for services

Family code (sequence id) : 1-99

Type of product code: C: Gigabit RJ45 transformer; P: PoEuse RJ45 transformer; R: for no transformer RJ45 products; B: Series for back-board code

Number of magnetic ring
The No. of circuit

Product definition LOGO: 1 - Press "B", 10P*2- No "B"-10P*3- Other companies LOGO

Product definition plastic materials: 1-P,PA66,2-P,PA6,3-PA,4-PA6,5-PBET,6-ABS,7-P,AGT,8-P,PC

Pin definition of the product:F-Pin after B-Pin back; C- No definition of this product

Electroplating product definition: gold-plated terminals(degree after nickel plated) 1-F μ" : 2-3 μ" : 3-5 μ" : 4-15 μ" : 5-30 μ" : 6-50 μ" : 7-4N-50 μ" : 8-80-120 μ")

Product shielding definition: 0 - no shielding shell; 1 - without shielding shell; 2 - shielding a shell; 3 - a half-shield shell

Products luminous definition: 0 - No LED; 1 - 4N Yellow Right Green; 2 - Left Green Right Yellow; 3 - Double Green; 4 - Double Yellow; 5 - LED straight for the pin; 6 - A special definition; 7 - Shield; 8 - Litter LEDs

Products out part : "2-01" "2-02" "4-04" "5-03" "6-20" "6-26" "A-1X" "B-1X" "C-1X" "D-1X" "E-1X" "F-1X" "G-1X" "H-1X" "I-1X" "J-1X" "K-1X" "L-1X" "M-1X" "N-1X" "O-1X" "P-1X" "Q-1X" "R-1X" "S-1X" "T-1X" "U-1X" "V-1X" "W-1X" "X-1X" "Y-1X" "Z-1X"



Dongguan BroadTop Electronic Technology Co., Ltd.

FIRST ANGLE PROJECTION	CUSTOMER MODEL NO.	DESIGNED	MATERIAL	DESCRIPTION	REV.
		Checked		BT G8-10	
	Approved		SCALE 1.8:1	UNIT mm	MODEL NO. B80020001011