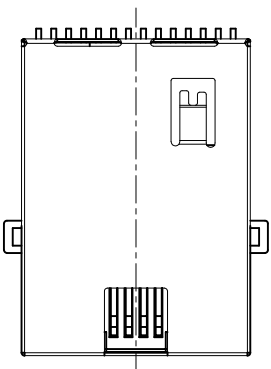
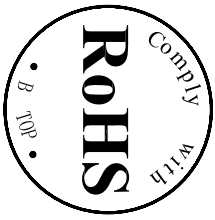



LED Specification

Standard LED Color	LED Wavelength (nm)	Forward Voltage (V MAX)	Typical Voltage (V TYP)	Luminous Intensity (mcd)
Green	560-580 nm	2.5V	2.1-2.2V	9-25 MCD
Yellow	580-610 nm	2.5V	2.1-2.2V	9-30 MCD
Orange	580-610 nm	2.5V	2.1-2.2V	50-100 MCD

1. LED intensity/wavelength measured with Photo Research PR-650 Colormeter
 2. With a forward current of 20 mA, Absolute Maximum Ratings (To=25°C)
- Specification
- 1: TOLERANCES UNLESS OTHERWISE SPECIFIED :
 0~10±0.15, 10~20±0.2, 20~40±0.25,
 40~70±0.3, >70±0.4
- 2: JACK CAVITY CONFORMS TO FCC RULES AND REGULATIONS, PART 68 SUBPART F.



B-TOP [®] 东莞市博腾电子科技有限公司
 Dongguan BroadTop Electronic Technology Co., Ltd.

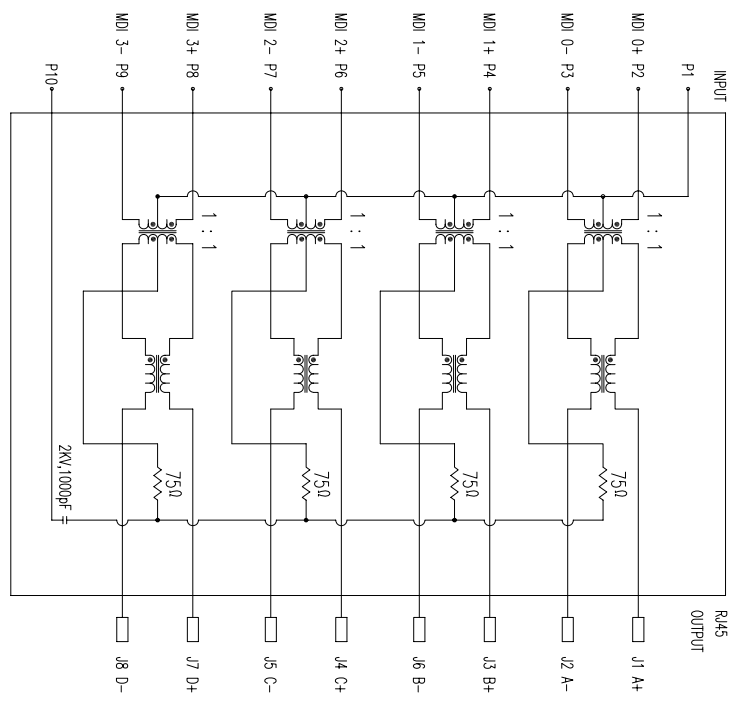
FIRST ANGLE PROJECTION

 TEL: 0769-38926198
 FAX: 0769-38926199
 Website: www.BroadTopTech.com

Designed
 Onechecked
 Approved

MATERIAL
 SCALE 2:1
 UNIT mm
 MODEL NO.

DESCRIPTION
 B50SMT(29-81)08-81-P113-B92(TAB UP Y-G SMT 规格2.6)
 REV.

SHEMATIC RV1



DESCRIPTION

ELECTRICAL: RJ45 With internal Magnetics Connector

Design to support such applications as: Ethernet Equipment Complex, Switches, Routers, Firewalls, Servers and Hub
 Internal magnetics are 100% electrically tested for functionality per IEEE802.3 requirement
 RoHS peak wave solder temperature rating 235 \pm 5
 High performance for maximum EMI suppression
 350uH minimum OCL with 8mA bias current

MECHANICAL: JACK CAVITY CONFORMS TO FCC RULES AND REGULATIONS, PART 68 SUBPART F.

INSERTION FORCE: 8 CONTACTS--900g, 10 CONTACTS--1050g
 RETENTION STRENGTH: 7.7kgs BETWEEN JACK AND PLUG
 DURABILITY: 750 MATING CYCLES Min

MATERIAL:

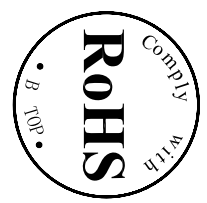
HOUSING: 1) GLASS FILLED PA66 (UL 94V-0)
 2) GLASS FILLED PA46/PA6T/PA9T/LCP (UL 94V-0)
 3) GLASS FILLED PBT/PA/ABS/PC (UL 94V-0)

SPRING WIRE: 0.25-0.35mm THICKNESS(50-80 μ) PHOSPHOR BRONZE ALLOY SELECTIVE GOLD PLATING OVER NICKEL
 SHIELDING: 0.2-0.24mm THICKNESS(50-80 μ) COPPER ALLOY WITH TIN PLATED

GOLD PLATING: 3 μ , 6 μ , 15 μ , 30 μ , 50 μ

Storage: -40 \pm 85 \pm Relative Humidity<70%
 Operating: 0 \pm 70 \pm

TOLERANCES UNLESS OTHERWISE SPECIFIED: 0-10 \pm 0.2, 10-20 \pm 0.25, 20-40 \pm 0.340-70 \pm 0.35, >70 \pm 0.4.



ELECTRICAL SPECIFICATIONS AT 25 \pm 0 \pm C

Insertion Loss dB max	1-125MHz	Return Loss dB min	30- 80MHz	Crosstalk(dB TYP)	1- 100MHz	Common Mode Rejection (dB TYP)	1-100MHz	HiPot(kVrms)
	-1.2	-18	-18+20log(f/300MHz)	-30	-30	-30	1500/0.5mA OR 22500C/0.1mA	

*"B" with the company code
 Series of products: 60:Double deck RJ45 connector + transformer series; In stations footprint); 80:Double deck RJ45 connector + transformer series; In vertical footprint); 50: Single RJ45 + transformer series; 52/53/55/56 LED/56/57/59; Ordinary RJ45 series; 1K: that scrip line series; 40: Conversion said Connectivity 80: Series that UK; 91: Automotive connector module Block; 92: Automotive connector module Block; 93: IHMI the head; 94: IHMI another Block; 95: SMT series; 96: RRS for articles
Family code (sequence ID): 1-99
 Type of product code: G: GigaBit RJ45 transformer; F: 100Base RJ45 transformer; K: for m transformer RJ45 products; B: Series for board-level code
Number of magnetic ring
 The No. of circuit

Product definition LOGO: 1 - Press "B-TOP" 2- No "B-TOP"; 3- Other companies LOGO
 Product definition plastic materials: 1-PA66 2-PA46 3-PA 4-PA6 5-PBT 6-ABS 7-PA9T 8-PC 9-LCP
 Pin definition of the product: F-Pin after; B-Pin back; C- No definition of the product
 Electroplating product definition: gold-plated terminals(depress after nickel plated) 14F μ " 23 μ " 34 μ " 44-15 μ " 50 μ " 650 μ " 74-50 μ " 8 μ 9 μ 120 μ ")
 Product shielding definition: 0 - no shielding shell; 1 - without shielding shell strap; 2 - shielding a shell strap; 3 - a half-shield shell
 Products luminous definition: 0 - No LED; 1 -Left Yellow Right Green; 2 -Left Green Right Yellow; 3 - Double Green; 4 - Double Yellow; 5 - LED straight for the pin; 6 - A special definition; * -Single Illumer LEDs
 Products out port: "20" "20Z" "424" "520S" "620S" "824S" "111" "B-17Z" "C-14" "D-15 " "E-18" "F-18" "H-(38/44/5) " "I-18 1P1M " "H-18 1P1Z " "K-18 1P1X "

B-TOP 东莞市博腾电子科技有限公司
 Dongguan BroadTop Electronic Technology Co., Ltd.

FIRST ANGLE PROJECTION		TEL: 0769-38926198	Checked	DESIGNATION	BT G8-81		REV.
		FAX: 0769-38926199	Appr oved	MATERIAL	SCALE 1.8:1	UNIT mm	MODEL NO. B80020008111
		Website www.BroadTopTech.com					