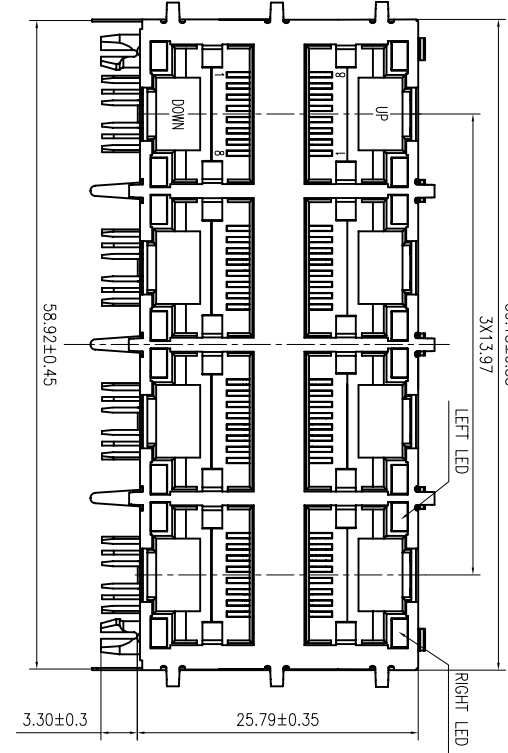
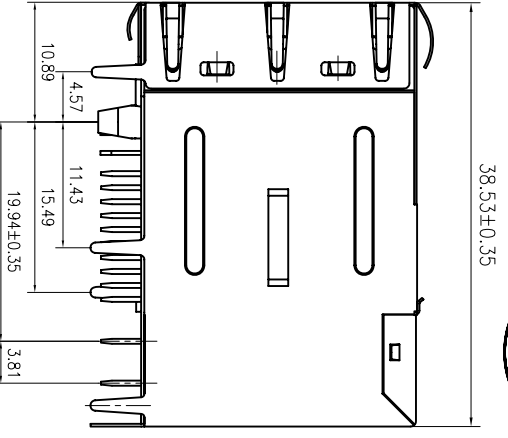
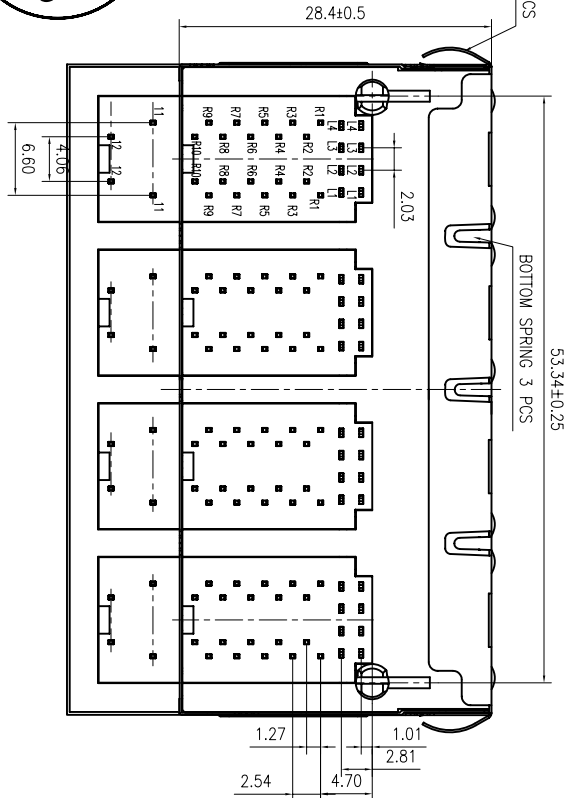
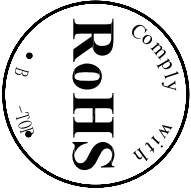


LED Specification

Standard LED Color	LED Wavelength (nm)	Forward Voltage (V MAX)	Typical Current (V TYP)	Luminous Intensity (mcd)
Green	560-580 nm	2.5V	2.1-2.2V	9-25 MCD
Yellow	580-610 nm	2.5V	2.1-2.2V	9-30 MCD
Orange	580-610 nm	2.5V	2.1-2.2V	50-100 MCD

1. LED intensity/wavelength measured with Photo Research PR-650 Colorimeter
 2. With a forward current of 20 mA, Absolute Maximum Ratings (Ta=25°C)
- 1: TOLERANCES UNLESS OTHERWISE SPECIFIED :
- 0~10±0.15, 10~20±0.2, 20~40±0.25, 40~70±0.3, >70±0.4
- 2: JACK CAVITY CONFORMS TO FCC RULES AND REGULATIONS, PART 68 SUBPART F.



B-TOP 东莞市博腾电子科技有限公司
Dongguan BroadTop Electronic Technology Co., Ltd.

FIRST ANGLE PROJECTION		TEL: 0769-38926198	Checked	Designed
		FAX: 0769-38926199	Approved	
		Website: www.broadtop.com		

MATERIAL	SCALE	UNIT	MODEL NO.	DESCRIPTION	REV.
	1.5:1	mm		B59(118-43)P8-139-4223-C12(2X4 POE EMI G-Y LED)	

B

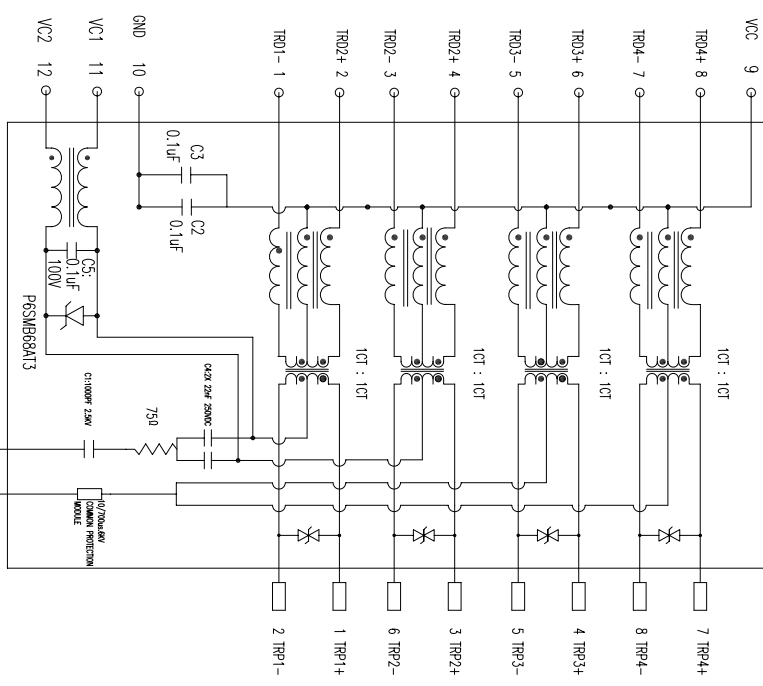
B

A

A

PIN

RJ45



DESCRIPTION

RJ45 With internal Magnetics Connector

Designed to support such applications as: Ethernet Equipment, Complex Switches, Routers, Firewalls, Servers and Hub. Internal magnetics are 100% electrically tested for functionality per IEEE802.3of/at requirement.

ELECTRICAL:

RJ45 peak wave solder temperature rating 235 \pm 5
High performance for maximum EMI suppression

350 μ H minimum OCL with 8mA bias current; DCR: 1.4 Ohms Max

HIPOUT: 1.5kVrms MIN; 60S; TURN RATIO: 1:1 \pm 3%

PoE rating: 15W, 350mA, 48V (for PoE Products only)

JACK CAVITY CONFORMS TO FCC RULES AND REGULATIONS, PART 68 SUBPART F.

MECHANICAL:

INSERTION FORCE: 2 CONTACTS-----350g 4 CONTACTS-----500g
6 CONTACTS-----750g 8 CONTACTS-----900g
10 CONTACTS-----1050g

RETENTION STRENGTH: 7.7Kgs BETWEEN JACK AND PLUG

DURABILITY: 750 MATING CYCLES Mini

HOUSING: 1) GLASS FILLED PA66 (UL 94V-0)
2) GLASS FILLED PA46/LCP (UL 94V-0)

MATERIAL: 3) GLASS FILLED PBT (UL 94V-0)

SPRING WIRE: 1) 0.2-0.45mm DIA PHOSPHOR BRONZE GOLD PLATING OVER NICKEL
2) 0.2-0.35mm THICKNESS PHOSPHOR BRONZE ALLOY SELECTIVE GOLD PLATING OVER NICKEL
3) 0.12-0.24mm THICKNESS COPPER ALLOY WITH TIN PLATED

SHIELDING: 3 μ " , 6 μ " , 15 μ " , 30 μ " , 50 μ "

GOLD PLATING: 3 μ " , 6 μ " , 15 μ " , 30 μ " , 50 μ "

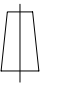
WORKING TEMPERATURE: -40 \pm 85 \pm

TOLERANCES UNLESS OTHERWISE SPECIFIED : 0~10 \pm 0.15, 10~20 \pm 0.2, 20~40 \pm 0.25, 40~70 \pm 0.3, >70 \pm 0.4

ELECTRICAL SPECIFICATIONS AT 25 \pm 0 \circ C

Insertion Loss dB max	Return Loss dB min	Crosstalk (dB TRP)	Common Mode Rejection (dB TRP)	Hypock (Vrms)
1-125MHz	1-30MHz	30-80MHz	1-100MHz	1500/0.5mA OR 22500C/0.1mA
-1.2	-18	-18+20log(f/30MHz)	-30	-30

B-TOP  **东莞博腾电子科技有限公司**
Dongguan BroadTop Electronic Technology Co., Ltd.

FIRST ANGLE PROJECTION 	TEL: 0769-38926198	Designed
	FAX: 0769-38926199	
Website: www.BroadTech.com	Approved	

MATERIAL

DESCRIPTION

SCALE	1.8:1	UNIT	mm	MODEL NO.	BT GP8-139
REV.	B80020013911				

B N (Z) G X M - A B C D - E H I

"g" with the company code

Series of products: 60 Double deck RJ45 connector + transformer series (In shielding footprint); 80 Double deck RJ45 connector + transformer series (In vertical footprint); 30 Single RJ45 + transformer series; 52/55/56 129/56/57/59; Ordinary RJ45 series; 58; that STRIP line series; 40 Conversion series; 80; Series that UK 91; Automotive connector public Block; 92; Automotive connector module Block; 95; 100M the head; 94; 100M module Block; 95; SMT series; 96; MS for series

Family code (sequence id): 1-99

Type of product code: G: Giant RJ45 transformer; P: Middle RJ45 transformer; R: for no transformer RJ45 products; B: Series for non-reversed side

Number of magnetic ring

The No. of circuit

Product definition LOGO: 1 - Press 'B', 'TOP' * 2 - No 'B' - 'TOP' * 3 - Other companies LOGO

Product definition plastic materials: 1-P:PA66, 2-P:PA6, 3-PA, 4-PA6, 5-PBT, 6-ABS, 7-PAGT, 8-PC, 9-LCP

Pin definition of the product: F-Pin after; B-Pin back; C- No definition of the product

Electroplating product definition: gold-plated terminals (depress after nickel plated) 1-F μ " : 2-3 μ " : 3-5 μ " : 4-15 μ " : 5-30 μ " : 6-50 μ " : 7-4N-50 μ " : 8-80-120 μ ")

Product shielding definition: 0 - no shielding shell; 1 - without shielding shell; 2 - shielding a shell; 3 - a half-shield shell

Products luminous definition: 0 - No LED; 1 - 4-in Yellow Right Green; 2 - Left Green Right Yellow; 3 - Double Green; 4 - Double Yellow; 5 - LED straight for the pin; C - A special definition; 7 - 5 in 6 in 8 in

Literal LEDs

Products out part: "20T" "20Z" "42M" "52M" "62M" "A31T" "B12Z" "C13Z" "D13S" "E18" "1-18" "U-(888888)" "1-18" "UPN1" "1-18" "UPN2" "1-18" "UPN4"

