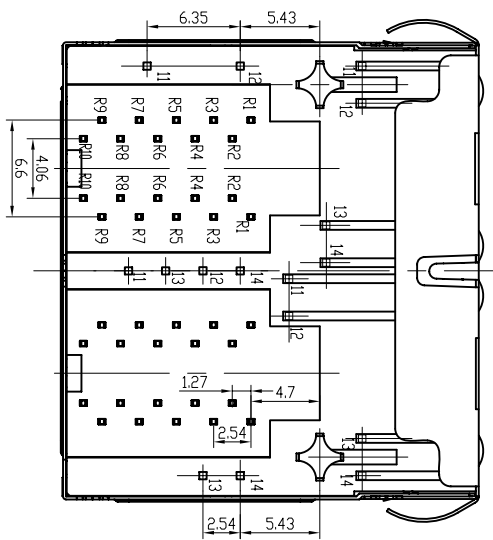
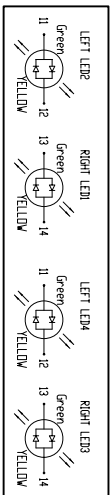
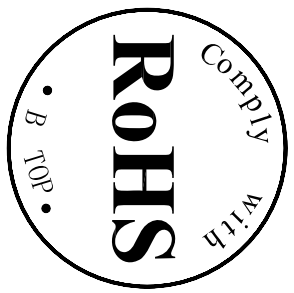


PCB BOARD LAYOUT



LEFT LED2

RIGHT LED1

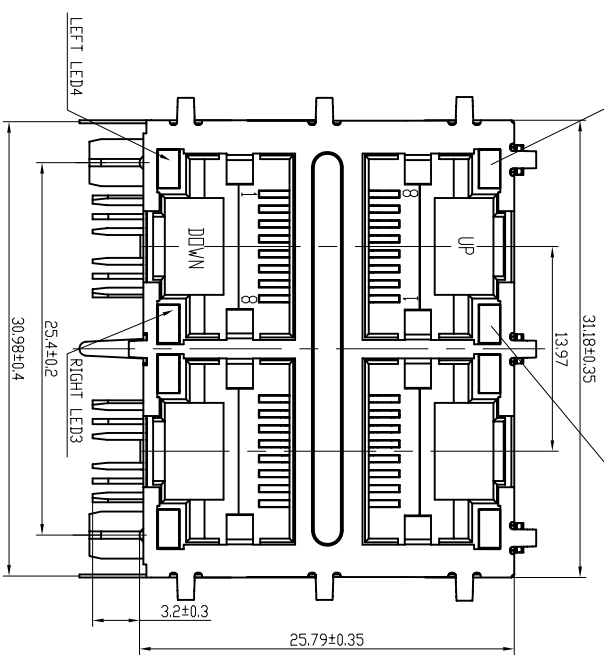
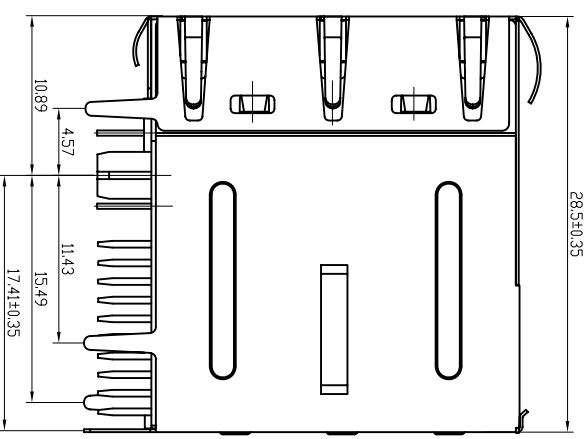


LED Specification

Standard LED Color	LED Wavelength (nm)	Forward Typical (V TYP)	Luminous Intensity (V MAX)
Green	560-580 nm	2.5V	21-22V
Green	560-580 nm	2.5V	21-22V
Yellow	580-610 nm	2.5V	21-22V
Orange	580-610 nm	2.5V	21-22V
			50-100 MCD

1. LED Intensity/wavelength measured with Photo Research PR-650 Colorimeter
 2. With a forward current of 20 mA, Absolute Maximum Ratings (I_a=25v)

1. TOLERANCES UNLESS OTHERWISE SPECIFIED :
 0~10±0.15, 10~20±0.2, 20~40±0.25,
 40~70±0.3, >70±0.4
 2. JACK CAVITY CONFORMS TO FCC RULES AND REGULATIONS, PART 68 SUBPART F.



B-TOP® 东莞博腾电子科技有限公司
 Dongguan BroadTop Electronic Technology Co., Ltd.

TEL: 0769-38926198
 FAX: 0769-38926199
 www.BroadTech.com
 Website: www.BroadTech.com

Designed	Checked	Appr.oved
MATERIAL	SCALE 2:1	UNIT mm
DESCRIPTION	MODEL NO.	

B59K312-06V68-56-2623-C12X2 GY-GY LED EMI

REV.

DESCRIPTION

RJ45 With internal Magnetics Connector

Designed to support such applications as: Ethernet Equipment Complex, Switches, Routers, Firewalls, Servers and Hub Internal magnetics are 100% electrically tested for functionality per IEEE802.3 requirement

ELECTRICAL:
 High performance for maximum EMI suppression
 350uH minimum OCL with 8mA bias current
 PoE rating: 15W, 350mA, 48V (For PoE Products only)

JACK CAVITY CONFORMS TO FCC RULES AND REGULATIONS, PART 68 SUBPART F.

INSERTION FORCE:
 2 CONTACTS-----350g
 4 CONTACTS-----500g
 6 CONTACTS-----750g
 8 CONTACTS-----900g

MECHANICAL:
 RETENTION STRENGTH: 7.7Kgs BETWEEN JACK AND PLUG
 DURABILITY: 750 MATING CYCLES Mini

HOUSING:
 1) GLASS FILLED PA66 (UL 94V-0)
 2) GLASS FILLED PA46/LCP (UL 94V-0)
 3) GLASS FILLED PBT (UL 94V-0)

SPRING WIRE:
 1) 0.2-0.45mm DIA PHOSPHOR BRONZE GOLD PLATING OVER NICKEL
 2) 0.2-0.35mm THICKNESS PHOSPHOR BRONZE ALLOY SELECTIVE GOLD PLATING OVER NICKEL
 3) 0.12-0.24mm THICKNESS COPPER ALLOY WITH TIN PLATED

MATERIAL:

SHIELDING: 0.12-0.24mm THICKNESS COPPER ALLOY WITH TIN PLATED
GOLD PLATING: 3µ", 6µ", 15µ", 30µ", 50µ"
WORKING TEMPERATURE: -20°C~70°C
TOLERANCES UNLESS OTHERWISE SPECIFIED: 0~10±0.15, 10~20±0.2, 20~40±0.25, 40~70±0.3, >70±0.4

"g" with the company code

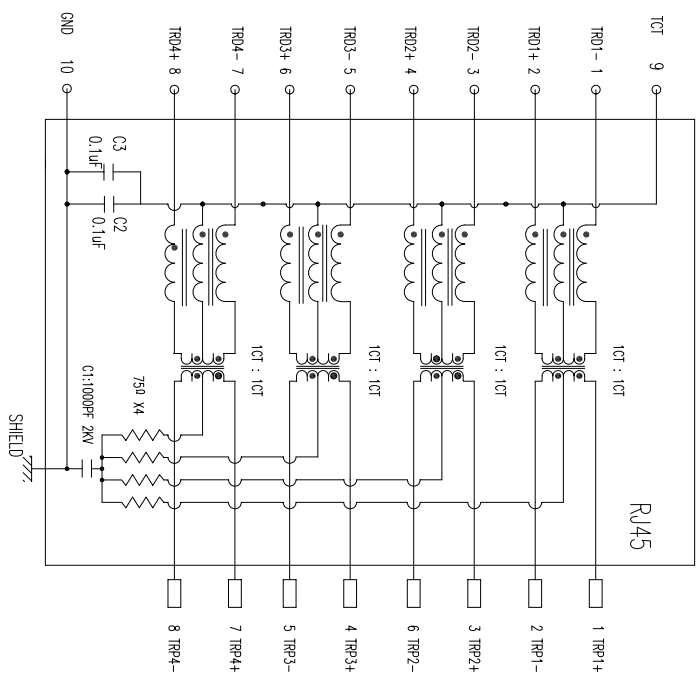
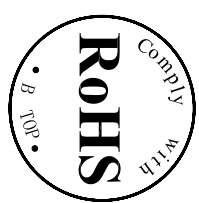
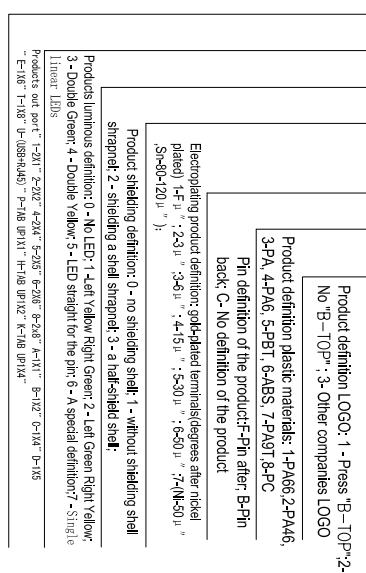
Series of products: 60-double deck RJ45 connector + transformer series (in side long footprint); 50-double deck RJ45 connector + transformer series (in vertical footprint); 50- Single RJ45 + transformer series; 52/53/55/56 (EU/56/57/59; Ordinary RJ45 series); IDC; that strip line series; 40; Conversion said Connectivity 80; Series that UK; 91; Automotive connector public Block-92; Automotive connector mother Block; 93; IBM1 the head; 94; IBM1 mother Block; 95; SWT series; 96; R15 for services

Family code (sequence id): 1-99

Type of product code: G: Right RJ45 transformer; F: Inverse RJ45 transformer;
 K: for a transformer RJ45 product; H: Series for head-oriented code

Number of magnetic ring

Product definition LOGO:



ELECTRICAL SPECIFICATIONS AT 25°C

Insertion Loss dB max	Return Loss dB min				Crosslink(dB TYP)				Common Mode Rejection (dB TYP)		HipoI(Vrms)
	1-100MHz	1-30MHz	30-60MHz	60-100MHz	1-30MHz	30-60MHz	60-100MHz	1-50MHz	50-150MHz	1500/0.5mA	
-1.0	-18	-16	-12	-40	-35	-30	-30	-20			

B-TOP

东莞博腾电子科技有限公司
 Dongguan BroadTop Electronic Technology Co., Ltd.

Designed
 Checked
 Approved

MATERIAL

SCALE 1.8:1
 UNIT mm
 MODEL NO.

DESCRIPTION
 BT G8-56

REV.
 B80020005611

FIRST ANGLE PROJECTION



TEL: 0769-38926198
 FAX: 0769-38926199
 www.BroadTopTech.com
 Website: www.BroadTopTech.com

Approved

SCALE

1.8:1
 UNIT mm
 MODEL NO.

DESCRIPTION
 BT G8-56

REV.
 B80020005611