

DESCRIPTION

RJ45 With internal Magnetics Connector

Designed to support such applications as: Ethernet Equipment Complex, Switches, Routers, Firewalls, Servers and Hub Internal magnetics are 100% electrically tested for functionality per IEEE802.3 requirement

ELECTRICAL: RoHS peak wave solder temperature rating 235°C

High performance for maximum EMI suppression
350uH minimum OCL with 8mA bias current
PoE rating: 15W, 350mA, 48V (For PoE Products only)

JACK CAVITY CONFORMS TO FCC RULES AND REGULATIONS, PART 68 SUBPART F.

INSERTION FORCE: 2 CONTACTS-----350g 4 CONTACTS-----500g
6 CONTACTS-----750g 8 CONTACTS-----900g
10 CONTACTS-----1050g

RETENTION STRENGTH: 7.7Kgs BETWEEN JACK AND PLUG
DURABILITY: 750 MATING CYCLES Mini

HOUSING: 1) GLASS FILLED PA66 (UL 94V-0)
2) GLASS FILLED PA46/LCP (UL 94V-0)
3) GLASS FILLED PBT (UL 94V-0)

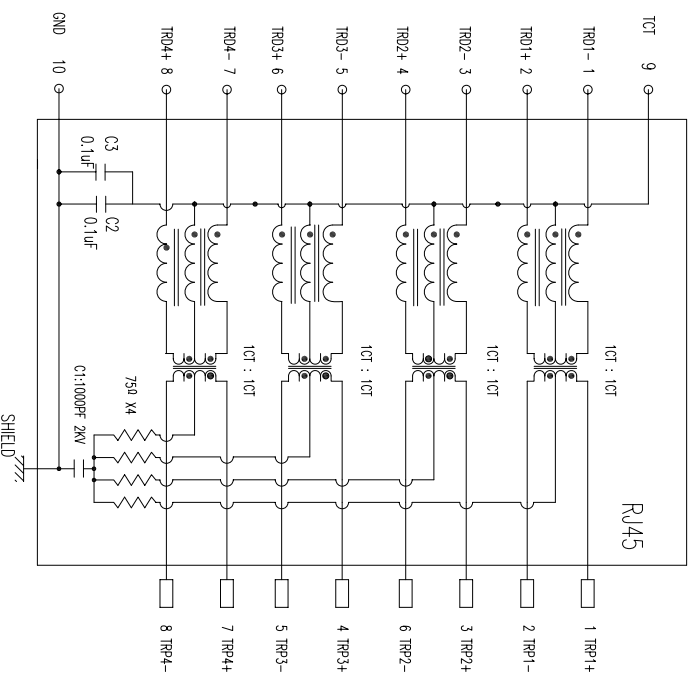
SPRING WIRE: 1) 0.2-0.45mm DIA PHOSPHOR BRONZE GOLD PLATING OVER NICKEL
2) 0.2-0.35mm THICKNESS PHOSPHOR BRONZE ALLOY SELECTIVE GOLD PLATING OVER NICKEL
3) 0.12-0.24mm THICKNESS COPPER ALLOY WITH TIN PLATED

GOLD PLATING: 3µ", 6µ", 15µ", 30µ", 50µ"

WORKING TEMPERATURE: -20°C~70°C

TOLERANCES UNLESS OTHERWISE SPECIFIED : 0~10±0.15, 10~20±0.2, 20~40±0.25, 40~70±0.3, 70±0.4

B N (Z) G X - M - A B C D - E H I



ELECTRICAL SPECIFICATIONS AT 25°C

Insertion Loss dB max	Return Loss dB min		Crosslink(dB TYP)		Common Mode Rejection (dB TYP)		Hipol(Vrms)		
	1-100MHz	1-30MHz	30-60MHz	60-100MHz	1-30MHz	30-60MHz		60-100MHz	1-50MHz
-1.0	-18	-16	-12	-40	-35	-30	-30	-20	1500/0.5mA

"g" with the company code

Series of products: 60-double deck RJ45 connector + transformer series(In side long footprint); 50-double deck RJ45 connector + transformer series(In vertical footprint); 50- Single RJ45 + transformer series; 50/55/56 (EU/56/57/59; Ordinary RJ45 series); 40-strip line series; 40: Conversion said Connectivity 80: Series that UK; 91: Automotive connector public Block; 92: Automotive connector mother Block; 93: IMI the head; 94: IMI mother Block; 95: SWT series; 96: RIS for services

Family code (sequence id): 1-99

Type of product code: G: Right RJ45 transformer; F: Double RJ45 transformer; K: for a transformer RJ45 products; H: Series for head-extended code

Number of magnetic ring

The No. of circuit

Product definition LOGO: 1 - Press "B"-TOP"-2- No "B"-TOP"; 3 - Other companies LOGO

Product definition plastic materials: 1-PA66, 2-PA46, 3-PA, 4-PA6, 5-PBT, 6-ABS, 7-PA9T, 8-PC

Pin definition of the product: B-Pin back C- No definition of the product

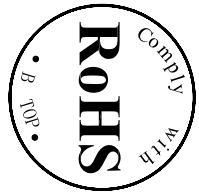
Electroplating product definition: gold-plated terminals/degrees after nickel plated) 1-F µ" : 2-3µ" : 3-5µ" : 4-15µ" : 5-30µ" : 6-50µ" : 7-40µ-50µ" 8-80-120µ")

Product shielding definition: 0 - no shielding shell; 1 - without shielding shell straplet; 2 - shielding a small straplet; 3 - a half-shield shell

Products luminous definition: 0 - No LED; 1 - Left Yellow Right Green; 2 - Left Green Right Yellow; 3 - Double Green; 4 - Double Yellow; 5 - LED straight for the pin; 6 - A special definition; 7 - Shine the

Lineart LEDs

Products out port: 1-24T 2-24Z 4-24X 5-25S 6-20R 6-24R 7-13T 8-12Z 9-14T 10-15S 11-16R 12-18R 13-18T 14-18R 15-18T 16-18R 17-18T 18-18R 19-18T 20-18R 21-18T 22-18R 23-18T 24-18R



B-TOP® 东莞博腾电子科技有限公司
Dongguan BroadTop Electronic Technology Co., Ltd.

TEL: 0769-38926198
FAX: 0769-38926199
www.BroadTopTech.com
Website: www.BroadTopTech.com

DESIGNED	CHECKED	APPROVED	SCALE	UNIT	MODEL NO.	REV.
			1.8:1	mm	B80020005611	