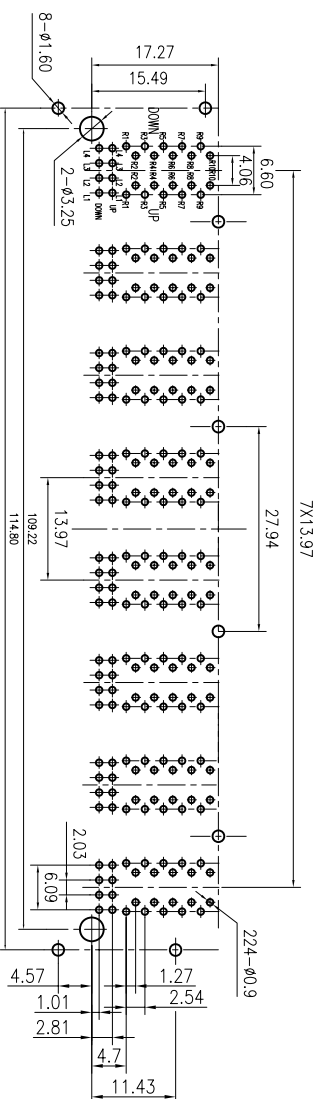
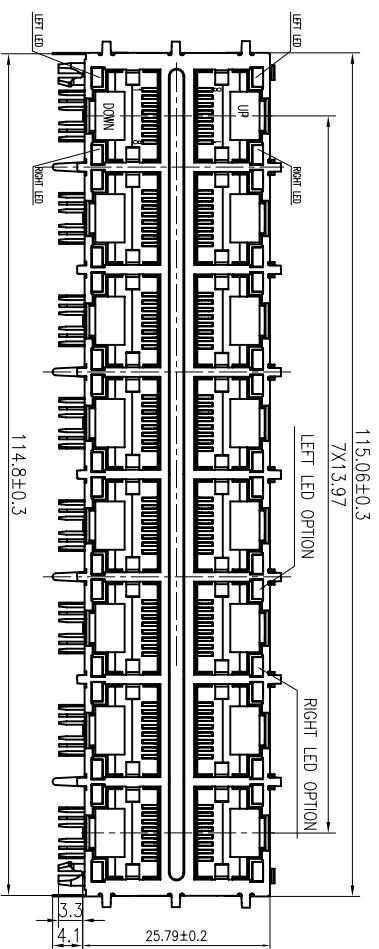
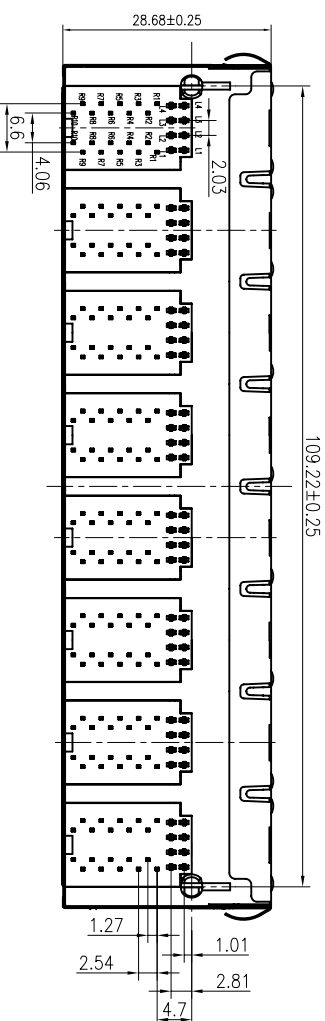
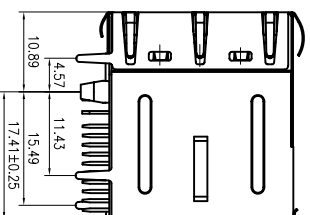


LED Specification

Standard LED Color	LED Wavelength	Forward Voltage (V MAX)	Typical (V TYP)	Luminous Intensity
Green	560-580 nm	2.5V	2.1-2.2V	9-25 MCD
Yellow	580-610 nm	2.5V	2.1-2.2V	9-30 MCD
Orange	580-610 nm	2.5V	2.1-2.2V	50-100 MCD

1. LED Intensity/Wavelength measured with Photo Research PR-650 Colorimeter
2. With a forward current of 20 mA Absolute Maximum Ratings (Ta=25°C)

- 1: TOLERANCES UNLESS OTHERWISE SPECIFIED :  
 0~10±0.15, 10~20±0.2, 20~40±0.25,  
 40~70±0.3, >70±0.4  
 2: JACK CAVITY CONFORMS TO FCC RULES AND REGULATIONS, PART 68 SUBPART F.



**B-TOP** **东莞博腾电子科技有限公司**  
 Dongguan BoardTop Electronic Technology Co., Ltd.

FIRST ANGLE PROJECTION		TEL: 0769-38926199	Checked
		FAX: 0769-38926199	Approved
		Website: www.boardtop.com	

Designed	Checked	Approved
----------	---------	----------

MATERIAL	SCALE	UNIT	MODEL NO.
	1:1	mm	

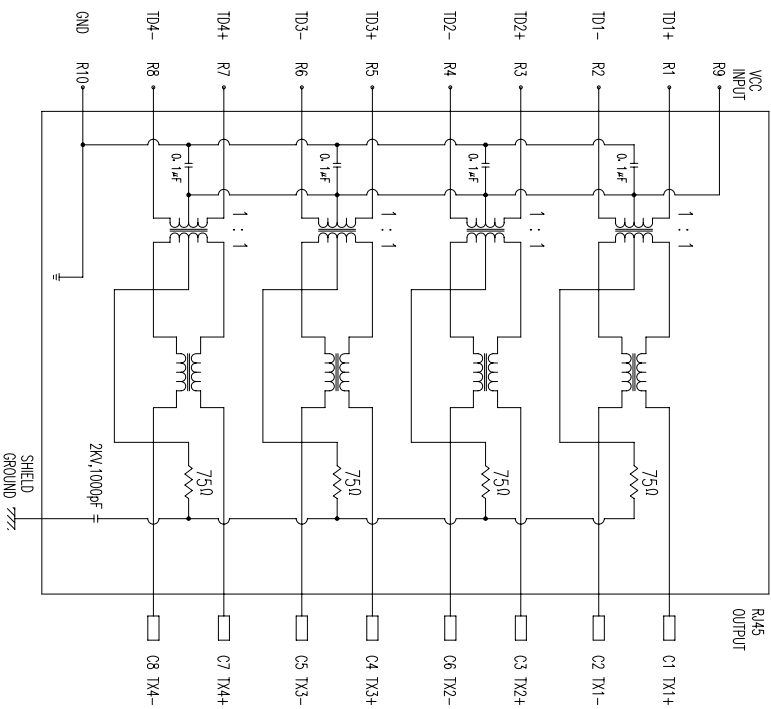
DESCRIPTION	REV.
B59(190-12)08-28-8223-C12(2X8 G-Y LED EMI)	V1.0

PCB BOARD LAYOUT

1

2

SHEMATIC RV1



ELECTRICAL SPECIFICATIONS AT 25°C

Insertion Loss dB max	Return Loss dB min	Crosstalk(dB TYP)	Common Mode Rejection (dB TYP)	Hipot(Vrms)
1-100MHz	1-30MHz 30- 60MHz 60- 100MHz	1-30MHz 30- 60MHz 60- 100MHz 1-50MHz 50-150MHz		
-1.0	-18	-16	-12	-40
			-35	-30
			-30	-20
				1500/0.5mA

DESCRIPTION

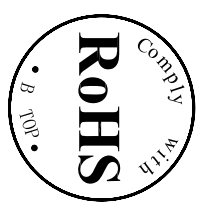
R45 With internal Magnetics Connector  
 Designed to support such applications as: Ethernet Equipment Complex, Switches, Routers, Firewalls, Servers and Hub  
 Internal magnetics are 100% electrically tested for functionality per IEEE802.3 requirement  
 ELECTRICAL: RoHS peak wave solder temperature rating 235°C  
 High performance for maximum EMI suppression  
 350uH minimum OCL with 8mA bias current  
 PoE rating: 15W, 350mA, 48V (For PoE Products only)

JACK CAVITY CONFORMS TO FCC RULES AND REGULATIONS, PART 68 SUBPART F.  
 INSERTION FORCE: 2 CONTACTS-----350g 4 CONTACTS-----500g  
 6 CONTACTS-----750g 8 CONTACTS-----900g  
 10 CONTACTS-----1050g  
 RETENTION STRENGTH: 7.7Kgs BETWEEN JACK AND PLUG  
 DURABILITY: 750 MATING CYCLES Min

MECHANICAL:  
 HOUSING: 1) GLASS FILLED PA66 (UL 94V-0)  
 2) GLASS FILLED PA46/LCP (UL 94V-0)  
 3) GLASS FILLED PBT (UL 94V-0)  
 SPRING WIRE: 1) 0.2-0.45mm DIA PHOSPHOR BRONZE GOLD PLATING OVER NICKEL  
 2) 0.2-0.35mm THICKNESS PHOSPHOR BRONZE ALLOY SELECTIVE GOLD PLATING OVER NICKEL  
 3) 0.12-0.24mm THICKNESS COPPER ALLOY WITH TIN PLATED  
 SHIELDING: 3µ", 6µ", 15µ", 30µ", 50µ"  
 GOLD PLATING: 3µ", 6µ", 15µ", 30µ", 50µ"  
 WORKING TEMPERATURE: -20°C~70°C  
 TOLERANCES UNLESS OTHERWISE SPECIFIED : 0~10±0.15, 10~20±0.2, 20~40±0.25, 40~70±0.3, >70±0.4

MATERIAL:

"B" with the company code  
 Series of products: 60 double deck R45 connector + transformer series; In stations footprint: 30 double deck R45 connector + transformer series; In vertical footprint: 30: Single R45 + transformer series: 52, 53, 55, 56 LED, 56/57, 59; Ordinary R45 series: 3K; that strip line series: 40; Conversion said Connectivity: 80; Series that UK: 91; Automotive connector male Block: 3K; IHMI the head: 94; IHMI another Block: 95; SMT series: 96; RRS for articles  
**Family code (sequence ID): 1-99**  
 Type of product code: G: GigaBit R45 transformer; F: 100base R45 transformer; K: for no transformer R45 products; R: Series for board-to-board code  
**Number of magnetic ring**  
**The No. of circuit**



**BTOP**  
 Dongguan BroadTop Electronic Technology Co., Ltd.

FIRST ANGLE PROJECTION		CUSTOMER	Checked	DESIGN	Designed	MATERIAL	SCALE	UNIT	MODEL NO.	DESCRIPTION	REV.
		MODEL NO.	Approved				1.8:1	mm	B80020002811	BT G8-28	