

**LED Specification**

Standard LED Color	LED Wavelength (nm)	Forward (V MAX)	Typical (V TYP)	Luminous Intensity
Green	560-580 nm	2.5V	2.1-2.2V	9-25 MCD
Yellow	580-610 nm	2.5V	2.1-2.2V	9-30 MCD
Orange	580-610 nm	2.5V	2.1-2.2V	50-100 MCD

1. LED Intensity/wavelength measured with Photo Research PR-650 Colorimeter
  2. With a forward current of 20 mA, Absolute Maximum Ratings (Ta=25°C)
- 1: TOLERANCES UNLESS OTHERWISE SPECIFIED :**  
 0~10±0.15, 10~20±0.2, 20~40±0.25,  
 40~70±0.3, >70±0.4
- 2: JACK CAVITY CONFORMS TO FCC RULES AND REGULATIONS, PART 68 SUBPART F.**

**BTOP**  
 Dongguan BroadTop Electronic Technology Co., Ltd.

**FIRST ANGLE PROJECTION**

TEL: 0769-38926198  
 FAX: 0769-38926199  
 Website: http://www.btotech.com

Designed	Checked	Approved	MATERIAL	SCALE	UNIT	MODEL NO.	DESCRIPTION	REV.
				2:1	mm		B59(94-01)F4-156-2222-C12(2X)2 G-Y LED EMI	

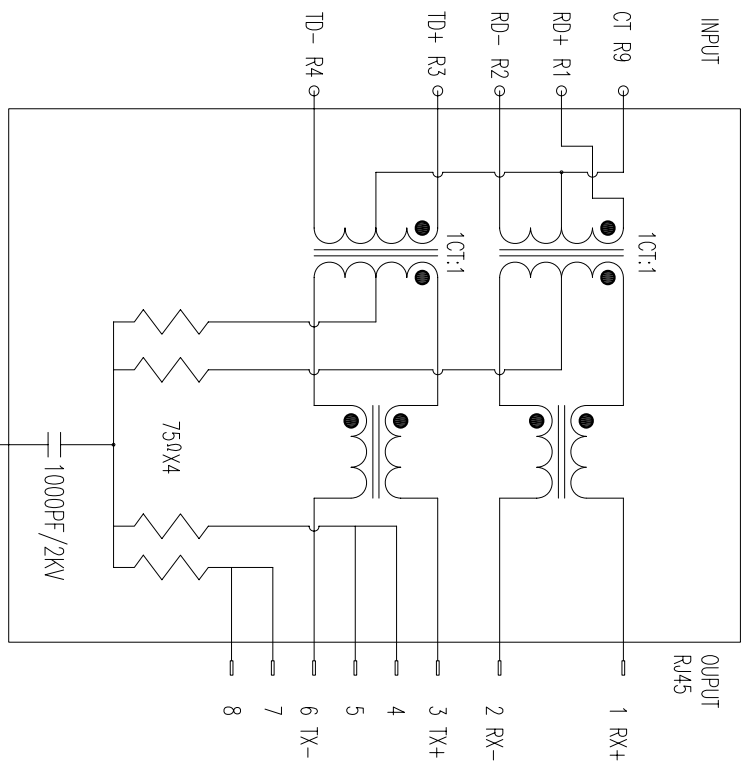
DESCRIPTION

RJ45 With internal Magnetics Connector  
 Designe to support such applications as:Ethernet Equipment Complex,Switches,Routers,Firewalls,Servers and Hub  
 Internal magnetics are 100% electrically tested for functionality per IEEE802.3 requirement  
 RoHS peak wave solder temperature rating 235±  
 High performance for maximum EMI suppression  
 350uH minimum OCL with 8mA bias current  
 PoE rating:15W,350mA,48V (For PoE Products only)

JACK CAVITY CONFORMS TO FCC RULES AND REGULATIONS,PART 68 SUBPART F.  
 INSERTION FORCE: 2 CONTACTS-----350g 4 CONTACTS-----500g  
 6 CONTACTS-----750g 8 CONTACTS-----900g  
 10 CONTACTS-----1050g  
 RETENTION STRENGTH: 7.7kgs BETWEEN JACK AND PLUG  
 DURABILITY: 750 MATING CYCLES Mini  
 HOUSING: 1) GLASS FILLED PA66 (UL 94V-0)  
 2) GLASS FILLED PA46/LCP (UL 94V-0)  
 3) GLASS FILLED PBT (UL 94V-0)

MECHANICAL:  
 SPRING WIRE: 1) 0.2-0.45mm DIA PHOSPHOR BRONZE GOLD PLATING OVER NICKEL  
 2) 0.2-0.35mm THICKNESS PHOSPHOR BRONZE ALLOY SELECTIVE GOLD PLATING OVER NICKEL  
 3) 0.12-0.24mm THICKNESS COPPER ALLOY WITH TIN PLATED  
 SHIELDING: 0.12-0.24mm THICKNESS COPPER ALLOY WITH TIN PLATED  
 GOLD PLATING: 3μm, 6μm, 15μm, 30μm, 50μm  
 WORKING TEMPERATURE: -20°C~70°C

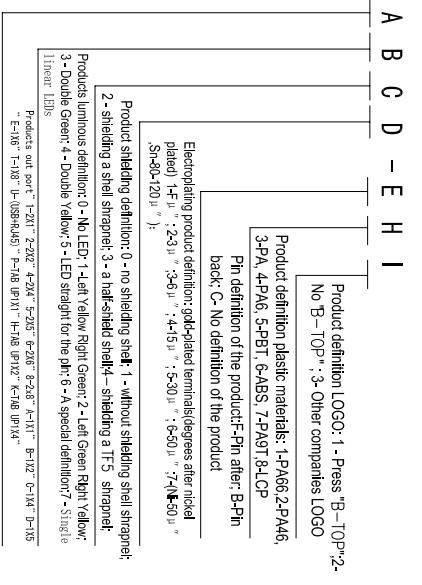
TOLERANCES UNLESS OTHERWISE SPECIFIED : 0~10±0.15; 10~20±0.2; 20~40±0.25; 40~70±0.3; >70±0.4



ELECTRICAL SPECIFICATIONS AT 25°C

Insertion Loss	Return Loss db min	Crosstalk(db TR)	Common Mode Rejection (db TR)	Hipot(Vrms)
1-100MHz	1-30MHz	60-100MHz	1-30MHz	1-50MHz
-1.0	-18	-16	-12	-40
				-35
				-30
				-20
				1500/0.5mA

**"B"** with the company code  
 Series of products: 60double deck RJ45 connector + transformer series(In standard footprint); 38double deck RJ45 connector + transformer series(In vertical footprint);30: Shield RJ45 + transformer series;32;33;33/36 LED;36;37;38; Ordinary RJ45 series;39: that strip line series; 40: conversion said  
 Connectivity: 80: Series that UK; 91: Automotive connector public Block;92: the head;94: 10MM another Block; 95: SMT series; 96: 8MS for switches;SPR:SPR connector  
 Family code (sequence id): 1-99  
 Type of product code: G: Right RJ45 transformer; F: 10base RJ45 transformer; K: for no transformer RJ45 products; W: Series for board-to-board connections;Series for SPR connector  
 Number of magnetic ring  
 The No. of circuit



Product definition LOGO: 1 - Press "B"-TOP-2- No "B" -TOP"; 3- Other companies LOGO  
 Product definition plastic materials: 1-PA66 2-PA46, 3-PA, 4-PA6, 5-PBT, 6-ABS, 7-PA9T, 8-LCP  
 Pin definition of the product:F-Pin after B-Pin back; C- No definition of the product  
 Electroplating product definition: gold-plated terminals/steeps after nickel plated: 1-F μ " 1-2.3 μ " 3-5 μ " 4-15 μ " 5-30 μ " 6-50 μ " 7-4~50 μ " 8~80-120 μ " )  
 Product shielding definition: 0 - no shielding shell; 1 - without shielding shell strapnet; 2- shielding a shell strapnet; 3- a half-shield shell; 4- shielding a TF5 strapnet.  
 Products luminous definition: 0 - No LED; 1 -Left Yellow Right Green; 2 -Left Green Right Yellow; 3 - Double Green; 4 - Double Yellow; 5 -LED straight for the pin; 6 - A special definition; 7 - Single Inner LEDs  
 Products out port: " 1-2X1 " 2-2X2 " 4-2X4 " 5-2X5 " 6-2X6 " 8-2X8 " 1-1X1 " B-1X2 " C-1X4 " D-1X5 " E-1X6 " F-1X8 " G- (USB-RJ45) " H-1X8 (RJ45) " I-1X8 (RJ45) " J-1X8 (RJ45)  
 Product definition LOGO: 1 - Press "B"-TOP-2- No "B" -TOP"; 3- Other companies LOGO



东莞市博腾电子科技有限公司  
Dongguan BroadTop Electronic Technology Co., Ltd.

Designed  
Checked  
Approved

DESCRIPTION

BT F4-156

FIRST ANGLE PROJECTION	CUSTOMER MODEL NO.	APPROVED	SCALE	UNIT	MODEL NO.	REV.
			1:8:1	mm		