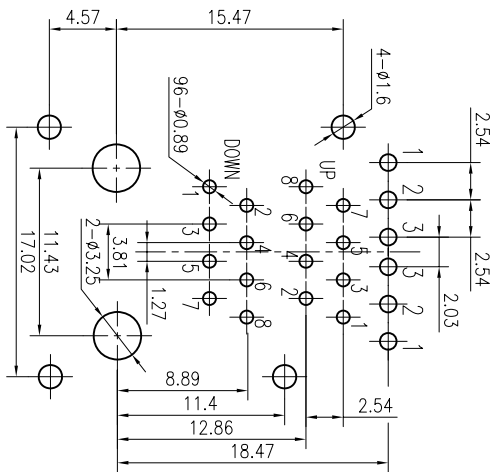


**LED Specification**

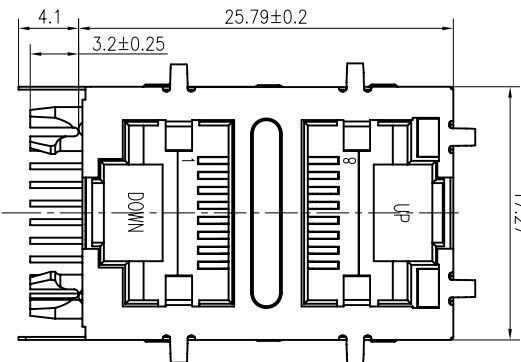
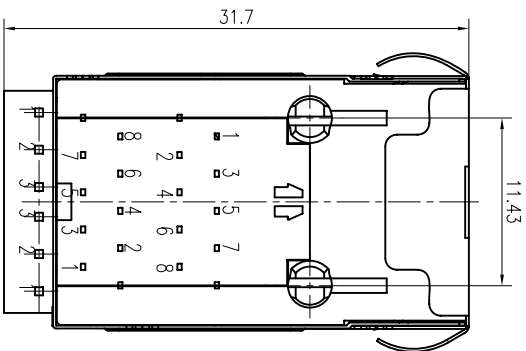
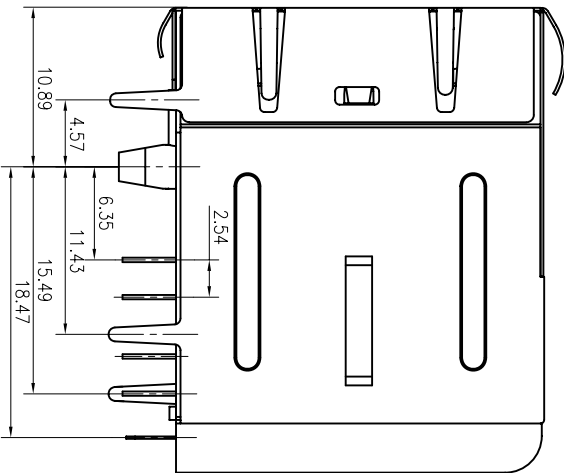
Standard LED Color	LED Wavelength	Forward (V MAX)	Typical (V TYP)	Luminous Intensity
Green	560-580 nm	2.5V	2.1-2.2V	9-25 MCD
Yellow	580-610 nm	2.5V	2.1-2.2V	9-30 MCD
Orange	580-610 nm	2.5V	2.1-2.2V	50-100 MCD

1. LED intensity/wavelength measured with Photo Research PR-650 Colormeter
2. With a forward current of 20 mA, Absolute Maximum Ratings (T<sub>0</sub>=25°C)

1. TOLERANCES UNLESS OTHERWISE SPECIFIED :  
 0~10±0.15, 10~20±0.2, 20~40±0.25,  
 40~70±0.3, >70±0.4
2. JACK CAVITY CONFORMS TO FCC RULES AND REGULATIONS, PART 68 SUBPART F.



**POE BOARD LAYOUT**



**B-TOP® 东莞博腾电子科技有限公司**  
 Dongguan BroadTop Electronic Technology Co., Ltd.

TEL: 0769-38926198  
 FAX: 0769-38926199  
 Website: www.BroadTechni.com  
 www.BroadTech.com

Designed  
 Checked  
 Approved

MATERIAL

DESCRIPTION

B60(57)F4-02-1722-C12(2X1 EMI LED)

SCALE

2:1

UNIT

mm

MODEL NO.

B01041008611

REV.

### DESCRIPTION

RJ45 With internal Magnetics Connector

Design to support such applications as: Ethernet Equipment, Complex Switches, Routers, Firewalls, Servers and Hub

Internal magnetics are 100% electrically tested for functionality per IEEE802.3 requirement

High performance for maximum EMI suppression

350uH minimum OCL with 8mA bias current

PoE rating: 15W, 350mA, 48V (For PoE Products only)

JACK CAVITY CONFORMS TO FCC RULES AND REGULATIONS, PART 68 SUBPART F.

INSERTION FORCE: 2 CONTACTS-----350g 4 CONTACTS-----500g

6 CONTACTS-----750g 8 CONTACTS-----900g

10 CONTACTS-----1050g

RETENTION STRENGTH: 7.7kgs BETWEEN JACK AND PLUG

DURABILITY: 750 MATING CYCLES Mini

HOUSING: 1) GLASS FILLED PA66 (UL 94V-0)

2) GLASS FILLED PA46/LOP (UL 94V-0)

3) GLASS FILLED PBT (UL 94V-0)

SPRING WIRE: 1) 0.2-0.45mm DIA PHOSPHOR BRONZE GOLD PLATING OVER NICKEL

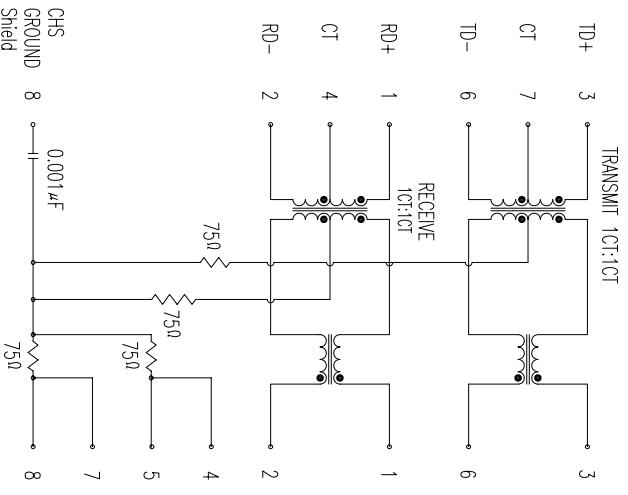
2) 0.2-0.35mm THICKNESS PHOSPHOR BRONZE ALLOY SELECTIVE GOLD PLATING OVER NICKEL

SHIELDING: 0.12-0.24mm THICKNESS COPPER ALLOY WITH TIN PLATED

GOLD PLATING: 3u", 6u", 15u", 30u", 50u"

WORKING TEMPERATURE: -20 to 70°C

TOLERANCES UNLESS OTHERWISE SPECIFIED : 0~10±0.15, 10~20±0.2, 20~40±0.25, 40~70±0.3, >70±0.4



### ELECTRICAL SPECIFICATIONS AT 25 °C

Insertion Loss dB max	Return Loss dB min	Cross talk (dB TYP)	Common Mode Rejection (dB TYP)	Hypod (Vrms)							
1-100MHz	1-30MHz	30-60MHz	60-100MHz	1-30MHz	30-60MHz	60-100MHz	1-30MHz	30-60MHz	60-100MHz	50-150MHz	1500/0.5mA
-1.0	-18	-16	-12	-40	-35	-30	-30	-20			

"B" with the company code  
 Series of products: 60 Double deck RJ45 connector + transformer series (in shielding footprint); 59 Double deck RJ45 connector + transformer series (in vertical footprint); 50 Single RJ45 + transformer series; 53/55/56 EBU/66/57/59 ordinary RJ45 series; DIX, their strip line series; 40 Conversion said Connectivity 80 Series that UK; 91 Automotive connector public Block; 93; 100M1 the head; 94; 100M number Block; 95; SMT series; 96; BHS for surface

Family code (sequence id): 1-99  
 Type of product code: G: Gigabit RJ45 transformer; F: 100base RJ45 transformer; K: for transformer RJ45 product; R: series for thumb-locked code

Number of magnetic ring  
 The No. of circuit

Product definition LOGO: 1-Press "B"-TOP"2- No "B"-TOP"; 3-Other companies LOGO

Product definition plastic materials: 1-P,PA66,2-P,PA6,3-PA,4-PA6,5-P,BT,6-ABS,7-PA9T,8-PC

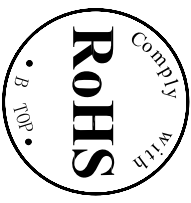
Pin definition of the product: F-Pin after; B-Pin back; C- No definition of the product

Electroplating product definition: gold-plated terminals (e.g. silver nickel plated) 1-F; 2-23µ; 3-50µ; 4-15µ; 5-50µ; 6-50µ; 7-40/50µ; 8-80µ; 9-20µ; 10-1µ

Product shielding definition: 0 - no shielding shell; 1 - without shielding shell; 2 - shielding a shell; 3 - a half-shielded shell; 4 - shielded shell

Products luminous definition: 0 - No LED; 1 - Left Yellow Right Green; 2 - Left Green Right Yellow; 3 - Double Green; 4 - Double Yellow; 5 - LED straight for the pin; 6 - A special definition; 7 - Single Linear LEDs

Products wire part: 1-50T; 2-20T; 4-24T; 5-20T; 6-20T; 7-24T; 8-14T; 9-14T; 10-14T; 11-14T; 12-14T; 13-14T; 14-14T; 15-14T; 16-14T; 17-14T; 18-14T; 19-14T; 20-14T; 21-14T; 22-14T; 23-14T; 24-14T; 25-14T; 26-14T; 27-14T; 28-14T; 29-14T; 30-14T; 31-14T; 32-14T; 33-14T; 34-14T; 35-14T; 36-14T; 37-14T; 38-14T; 39-14T; 40-14T; 41-14T; 42-14T; 43-14T; 44-14T; 45-14T; 46-14T; 47-14T; 48-14T; 49-14T; 50-14T



**BPTOP**  
 东莞市博腾电子科技有限公司  
 Dongguan BroadTop Electronic Technology Co., Ltd.

FIRST ANGLE PROJECTION		CUSTOMER MODEL NO.	DESIGNED	CHECKED	APPROVED	MATERIAL	SCALE	UNIT	MODEL NO.	DESCRIPTION	REV.
							1.8:1	mm	B80010000211	B F4-02	