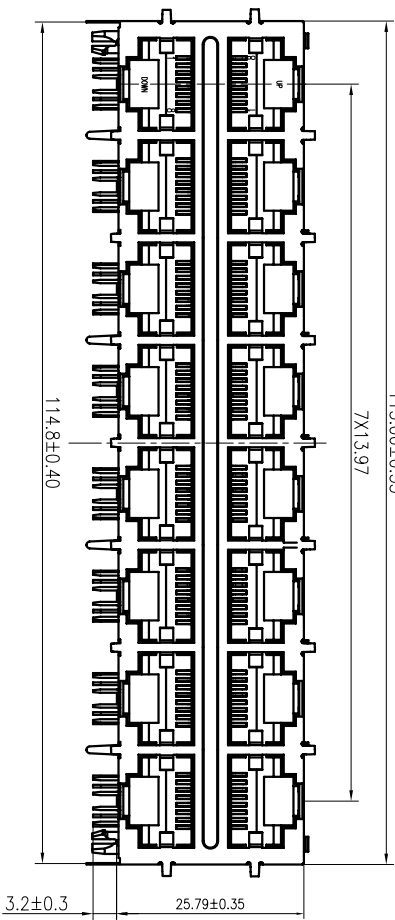
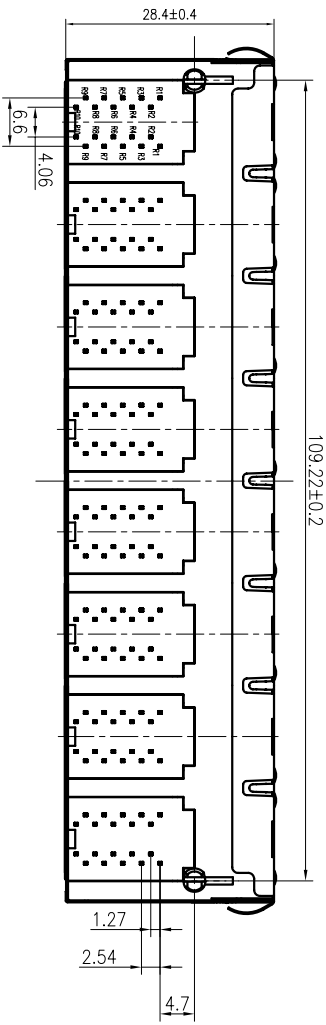
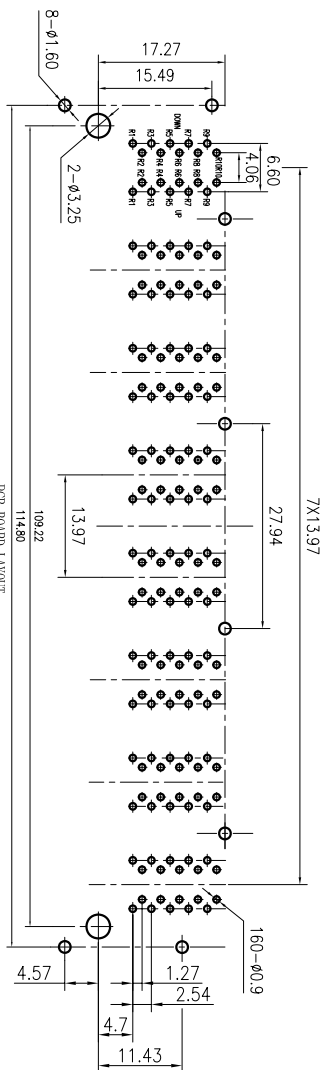
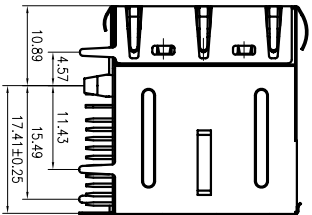


Specification  
 1-TOLERANCES UNLESS OTHERWISE SPECIFIED :  
 0~10±0.15, 10~20±0.2, 20~40±0.25,  
 40~70±0.3, ≥70±0.4  
 2-JACK CAVITY CONFORMS TO FCC RULES AND  
 REGULATIONS,PART 68 SUBPART F.



**东莞市博腾电子科技有限公司**  
 Dongguan BroadTop Electronic Technology Co., Ltd.

FIRST ANGLE PROJECTION		CUSTOMER MODEL NO.	Checked	Designed
			Approved	

Checked	Designed
Approved	

MATERIAL	SCALE	UNIT	MODEL NO.
	1:1	mm	

DESCRIPTION	REV.
B59(190-21)G8-10-8022-C12(2X8 EMI 无LED)	V1.0

PCB BOARD LAYOUT

### DESCRIPTION

RJ45 With internal Magnetics Connector

Design to support such applications as: Ethernet Equipment Complex, Switches, Routers, Firewalls, Servers and Hub Internal magnetics are 100% electrically tested for functionality per IEEE802.3 requirement

**ELECTRICAL:**  
RoHS peak wave solder temperature rating 235°C  
High performance for maximum EMI suppression  
350uH minimum OCL with 8mA bias current  
PoE rating: 15W, 350mA, 48V (For PoE Products only)

**MECHANICAL:**  
JACK CAVITY CONFORMS TO FCC RULES AND REGULATIONS, PART 68 SUBPART F.  
INSERTION FORCE: 2 CONTACTS-----350g 4 CONTACTS-----500g  
6 CONTACTS-----750g 8 CONTACTS-----900g  
10 CONTACTS-----1050g  
RETENTION STRENGTH: 7.7Kgs BETWEEN JACK AND PLUG  
DURABILITY: 750 MATING CYCLES Mini

**HOUSING:** 1) GLASS FILLED PA66 (UL 94V-0)  
2) GLASS FILLED PA46/LCP (UL 94V-0)

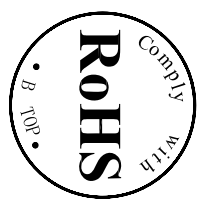
**SPRING WIRE:** 1) 0.2-0.45mm DIA PHOSPHOR BRONZE GOLD PLATING OVER NICKEL  
2) 0.2-0.35mm THICKNESS PHOSPHOR BRONZE ALLOY SELECTIVE GOLD PLATING OVER NICKEL

**SHIELDING:** 0.12-0.24mm THICKNESS COPPER ALLOY WITH TIN PLATED

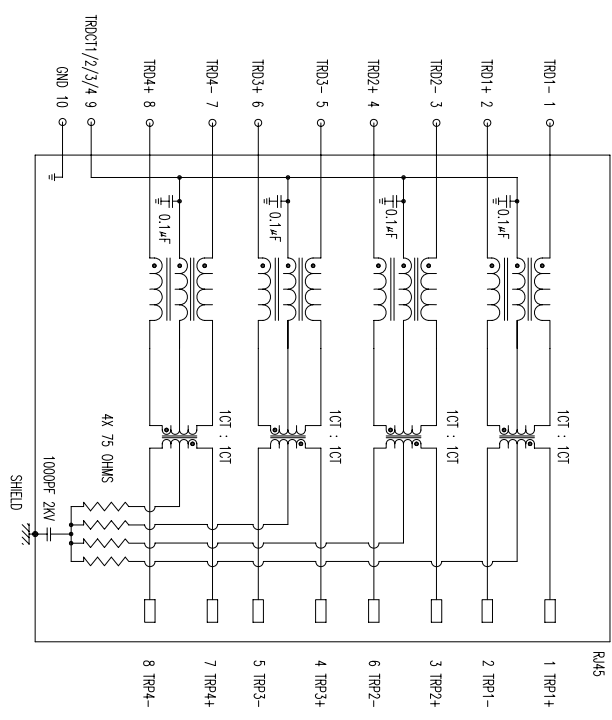
**GOLD PLATING:** 3µm, 6µm, 15µm, 30µm, 50µm

**WORKING TEMPERATURE:** -20°C~70°C

**TOLERANCES UNLESS OTHERWISE SPECIFIED :** 0~10±0.15, 10~20±0.2, 20~40±0.25, 40~70±0.3, >70±0.4



### SCHEMATIC



### ELECTRICAL SPECIFICATIONS AT 25 °C

Insertion Loss dB max	Return Loss dB min	Crosstalk (db TYP)	Common Mode Rejection (dB TYP)	Hypok(Vrms)					
1-100MHz	1-30MHz	30-60MHz	60-100MHz	1-30MHz	30-60MHz	60-100MHz	1-50MHz	50-150MHz	1500/0.5mA
-10	-18	-16	-12	-40	-35	-30	-30	-20	

**"g"** with the company code  
Series of products: 60/Double deck RJ45 connector + transformer series(In shielding footprint); 80/Double deck RJ45 connector + transformer series(In vertical footprint); 50/Single RJ45 + transformer series; 52/52/56/56 129/56/57/59; Ordinary RJ45 version; 3X; that series; 40; Conversion series; 40; Automotive connector public Block; 52; Automotive connector module Block; 55; 10MM the head; 54; 10MM module Block; 55; 5MT series; 56; 10MS for series

**Family code (sequence id) : 1-99**  
Type of product code: G: Gigabit RJ45 transformer; P: PoE RJ45 transformer; R: RoHS transformer; B: Series for back-board code

**Number of magnetic ring**  
**The No. of circuit**

**Product definition LOGO:** 1 - Press "B", 10P\*2- No "B" - 10P\*3 - Other companies LOGO  
**Product definition plastic materials:** 1-P,PA66,2-PA66,3-PA,4-PA6,5-PBT,6-ABS,7-PA9T,8-PC  
**Pin definition of the product:** F-Pin after B-Pin back; C- No definition of this product

**Electroplating product definition:** gold-plated terminals (degrees after nickel plated) 1-F µm ; 2-3 µm ; 3-5 µm ; 4-15 µm ; 5-30 µm ; 6-50 µm ; 7-4N-50 µm ; 8-80-120 µm ; 9- ;

**Product shielding definition:** 0 - no shielding shell; 1 - without shielding shell; 2 - shielding a shell; 3 - a half-shield shell

**Products luminous definition:** 0 - No LED; 1 - 4N Yellow Right Green; 2 - Left Green Right Yellow; 3 - Double Green; 4 - Double Yellow; 5 - LED straight for the pin; 6 - A special definition; 7 - Shield; 8 - Litter LEDs

**Products out part :** "201" "202" "4-24" "5-25" "6-26" "8-28" "A-31" "B-12" "C-14" "D-15" "E-18" "F-18" "G-(88/94/5)" "H-18" "J-18" "K-18" "L-18" "M-18" "N-18" "O-18" "P-18"



Dongguan BroadTop Electronic Technology Co., Ltd.

FIRST ANGLE PROJECTION	CUSTOMER MODEL NO.	Designed Checked Approved	MATERIAL	DESCRIPTION	REV.
			SCALE 1.8:1	UNIT mm	MODEL NO. B80020001011