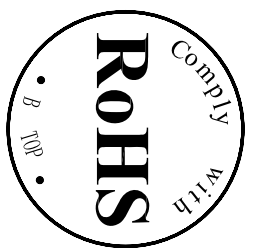
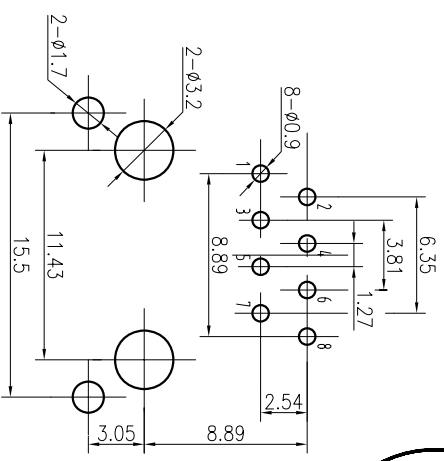
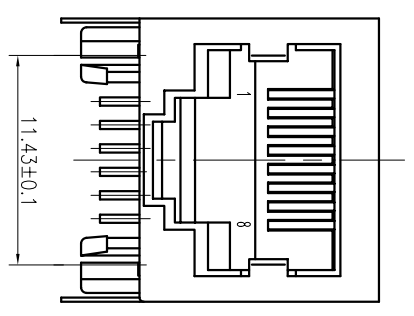
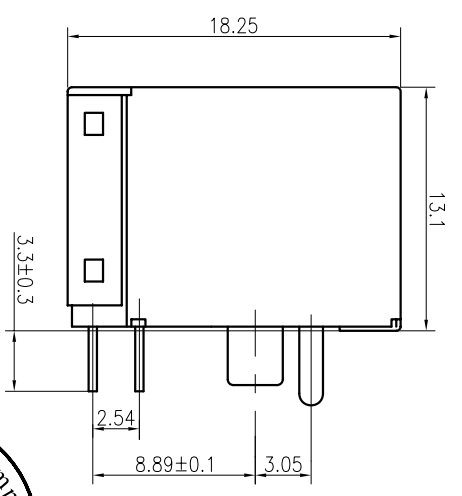
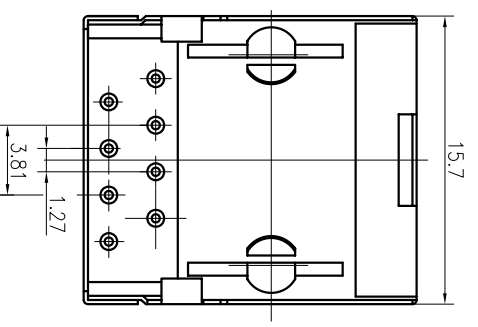


1

2



### SPECIFICATIONS

CURRENT RATING: 125V AC  
 VOLTAGE RATING: 125V AC  
 INSULATION RESISTANCE: 500MΩ Mini  
 WITHSTAND VOLTAGE: AC 1500 V RMS 50Hz OR 60Hz 1Min  
 CONTACT RESISTANCE: 20mΩ Max  
 INSERTION FORCE: 2 CONTACTS---350g 4 CONTACTS---500g  
 6 CONTACTS---750g 8 CONTACTS---900g  
 10 CONTACTS---1050g

RETENTION STRENGTH: 7.7kg BETWEEN JACK AND PLUG  
 DURABILITY: 750 MATING CYCLES Mini  
 HOUSING: 1) GLASS FILLED PA66 (UL 94V-0)  
 2) GLASS FILLED PA46 (UL 94V-0)  
 3) GLASS FILLED PBT (UL 94V-0)

SPRING WIRE: 1) 0.45mm DIA PHOSPHOR BRONZE GOLD PLATING OVER NICKEL  
 2) 0.35mm THICKNESS PHOSPHOR BRONZE ALLOY SELECTIVE GOLD PLATING OVER NICKEL  
 SHIELDING: 0.24mm THICKNESS COPPER ALLOY WITH TIN PLATED  
 GOLD PLATING: 3μ", 6μ", 15μ", 30μ", 50μ"  
 WORKING TEMPERATURE: -40°C~70°C  
 TOLERANCES UNLESS OTHERWISE SPECIFIED: 0~10±0.15, 10~20±0.2, 20~40±0.25,  
 40~70±0.3, ≥70±0.4

B N Z G - A B C D - E H I

"B" with the company code  
 Series of products: 99: Double RH45 + transformer series; 90: Single RH45 + transformer series; 82/53/55/56 LED/56/57/59: Ordinary RH45 series; X: that strip line series; 40: Conversion said connectivity 80: public Block; 92: Automotive connector Block; 93: IBM1 the head; 94: IBM1 another Block; 95: SMT series; 96: RRS for switches

Family code (sequence id): 1-99

Type of product code: G: Original RH45 transformer; F: Tolerance RH45 transformer; 1: not an transformer RH45 products; 1 series for board-mounted code; B: Series for board-mounted code

Product out part: 1-24E 1-24Z 1-24A 1-24B 1-24C 1-24D 1-24E 1-24F 1-24G 1-24H 1-24I 1-24J 1-24K 1-24L 1-24M 1-24N 1-24O 1-24P 1-24Q 1-24R 1-24S 1-24T 1-24U 1-24V 1-24W 1-24X 1-24Y 1-24Z

Product unique identifier: 0 - no LED; 1 - LED; 2 - LED; 3 - LED; 4 - LED; 5 - LED; 6 - LED; 7 - LED; 8 - LED; 9 - LED; 10 - LED; 11 - LED; 12 - LED; 13 - LED; 14 - LED; 15 - LED; 16 - LED; 17 - LED; 18 - LED; 19 - LED; 20 - LED; 21 - LED; 22 - LED; 23 - LED; 24 - LED; 25 - LED; 26 - LED; 27 - LED; 28 - LED; 29 - LED; 30 - LED; 31 - LED; 32 - LED; 33 - LED; 34 - LED; 35 - LED; 36 - LED; 37 - LED; 38 - LED; 39 - LED; 40 - LED; 41 - LED; 42 - LED; 43 - LED; 44 - LED; 45 - LED; 46 - LED; 47 - LED; 48 - LED; 49 - LED; 50 - LED; 51 - LED; 52 - LED; 53 - LED; 54 - LED; 55 - LED; 56 - LED; 57 - LED; 58 - LED; 59 - LED; 60 - LED; 61 - LED; 62 - LED; 63 - LED; 64 - LED; 65 - LED; 66 - LED; 67 - LED; 68 - LED; 69 - LED; 70 - LED; 71 - LED; 72 - LED; 73 - LED; 74 - LED; 75 - LED; 76 - LED; 77 - LED; 78 - LED; 79 - LED; 80 - LED; 81 - LED; 82 - LED; 83 - LED; 84 - LED; 85 - LED; 86 - LED; 87 - LED; 88 - LED; 89 - LED; 90 - LED; 91 - LED; 92 - LED; 93 - LED; 94 - LED; 95 - LED; 96 - LED; 97 - LED; 98 - LED; 99 - LED; 100 - LED

Product definition LOGO: 1 - Press "B"-TOP  
 "2 - No "B"-TOP"; 3 - Other companies LOGO

Product definition plastic materials: 1-PA66 2-PA46, 3-PA 4-PA6 5-PBT, 6-ABS, 7-PA9T 8-PC

Pin definition of the product: Pin after: B-Pin back; C - No definition of the product.

Electroplating product definition: gold-plated terminals (degrees after nickel plated) 1-F μ" 2-3 μ" 3-6 μ" 4-15 μ" 5-30 μ" 6-50 μ" 7-100 μ" 8-120 μ" 9-150 μ" 10-200 μ"

Product shielding definition: 0 - no shielding shell; 1 - without shielding shell shrink; 2 - shielding a shell shrink; 3 - a half-shield shell;

<b>东莞市博腾电子科技有限公司</b> Dongguan Brotop Electronic Technology Co., Ltd.		Designed	MATERIAL		DESCRIPTION	
TEL: 0769-33928198 FAX: 0769-33928199 Website: http://www.btoptech.com		Checked			B56(06)W-A012-F52(5621 1X1 8P8C)	
FIRST ANGLE PROJECTION		Approved	SCALE	UNIT	MODEL NO.	REV.
			2.5:1	mm	B03011005611	V10

1

2

A

B