

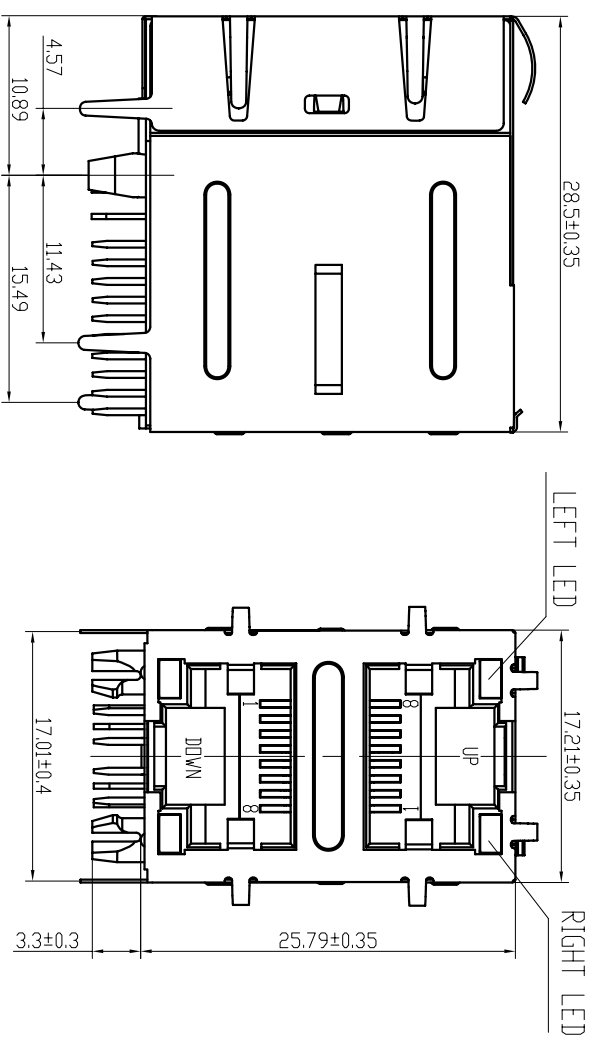
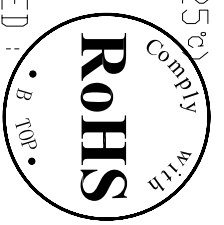
### LED Specification

Standard LED Color	LED Wavelength	Forward (V MAX)	Typical (V TYP)	Luminous Intensity
Green	560-580 nm	2.5V	2.1-2.2V	9-25 MCD
Yellow	580-610 nm	2.5V	2.1-2.2V	9-30 MCD
Orange	580-610 nm	2.5V	2.1-2.2V	50-100 MCD

1. LED intensity/wavelength measured with Photo Research PR-650 Colormeter
2. With a forward current of 20 mA, Absolute Maximum Ratings (T<sub>a</sub>=25°C)

### Specification:

- 1:TOLERANCES UNLESS OTHERWISE SPECIFIED :  
 0~10±0.15, 10~20±0.2, 20~40±0.25,  
 40~70±0.3, >70±0.4
- 2:JACK CAVITY CONFORMS TO FCC RULES AND REGULATIONS,PART 68 SUBPART F.



**BTOP**  
 Dongguan BroadTop Electronic Technology Co., Ltd.

Designed: \_\_\_\_\_  
 Checked: \_\_\_\_\_  
 Approved: \_\_\_\_\_

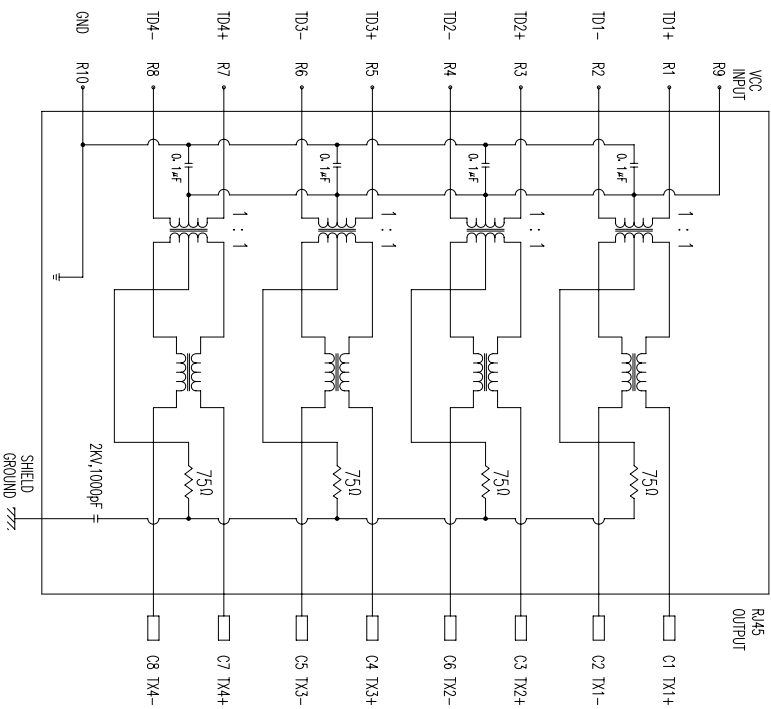
MATERIAL: \_\_\_\_\_  
 DESCRIPTION: D59(45-26)68-28-1623-C12(X1 EMI 60-60 LED无铅)

FIRST ANGLE PROJECTION: \_\_\_\_\_  
 CUSTOMER: \_\_\_\_\_  
 MODEL NO.: \_\_\_\_\_

SCALE: 2:1 UNIT: mm MODEL NO.: \_\_\_\_\_

REV. V1.0

SHEMATIC RV1



ELECTRICAL SPECIFICATIONS AT 25°C

Insertion Loss dB max	Return Loss dB min	Crosstalk(dB TYP)	Common Mode Rejection (dB TYP)	Hipot(Vrms)
1-100MHz	1-30MHz 30- 60MHz 60- 100MHz	1-30MHz 30- 60MHz 60- 100MHz 1-50MHz 50-150MHz		
-1.0	-18	-16	-12	-40
			-35	-30
			-30	-20
				1500/0.5mA

DESCRIPTION

R45 With internal Magnetics Connector

Design to support such applications as:Ethernet Equipment Complex,Switches,Routers,Firewalls,Servers and Hub Internal magnetics are 100% electrically tested for functionality per IEEE802.3 requirement

ELECTRICAL: RoHS peak wave solder temperature rating 235°C High performance for maximum EMI suppression 350uH minimum OCL with 8mA bias current PoE rating:15W,350mA,48V (For PoE Products only)

JACK CAVITY CONFORMS TO FCC RULES AND REGULATIONS,PART 68 SUBPART F.

INSERTION FORCE: 2 CONTACTS-----350g 4 CONTACTS-----500g 6 CONTACTS-----750g 8 CONTACTS-----900g 10 CONTACTS-----1050g

MECHANICAL:

RETENTION STRENGTH: 7.7Kgs BETWEEN JACK AND PLUG DURABILITY: 750 MATING CYCLES Min

HOUSING: 1) GLASS FILLED PA66 (UL 94V-0) 2) GLASS FILLED PA46/LCP (UL 94V-0) 3) GLASS FILLED PBT (UL 94V-0)

MATERIAL:

SPRING WIRE: 1) 0.2-0.45mm DIA PHOSPHOR BRONZE GOLD PLATING OVER NICKEL 2) 0.2-0.35mm THICKNESS PHOSPHOR BRONZE ALLOY SELECTIVE GOLD PLATING OVER NICKEL 3) GLASS FILLED PBT (UL 94V-0)

SHIELDING: 0.12-0.24mm THICKNESS COPPER ALLOY WITH TIN PLATED GOLD PLATING: 3µ", 6µ", 15µ", 30µ", 50µ"

WORKING TEMPERATURE: -20°C~70°C TOLERANCES UNLESS OTHERWISE SPECIFIED : 0~10±0.15, 10~20±0.2, 20~40±0.25, 40~70±0.3, >70±0.4

"B" with the company code  
 Series of products: 60:Double deck R45 connector + transformer series;In stations footprint); 80:Double deck R45 connector + transformer series;In vertical footprint); 90: Single R45 + transformer series;52,53,55,56 LED;56/57,59; Ordinary R45 series;3K; that scrip line series; 40: Conversion said Connectivity 80: Series that UK; 91: Automotive connector public Block;92: Automotive connector another Block; 93: IHMI the head;94: IHMI another Block; 95: SMT series; 96: RRS for services  
 Family code (sequence ID): 1-99  
 Type of product code: G: GigaBit R45 transformer; F: 100Base R45 transformer; K: for no transformer R45 products; H: Series for board-on-board code  
 Number of magnetic ring  
 The No. of circuit

Product definition LOGO: 1 - Press "B"-TOP"-2- No "B"-TOP"; 3- Other companies LOGO  
 Product definition plastic materials: 1-PA66 2-PA46, 3-PA, 4-PA6, 5-PBT, 6-ABS, 7-PA9T, 8-PC  
 Pin definition of the product-F: Pin after; B: Pin back; C: No definition of the product  
 Electroplating product definition: gold-plated terminals(depress after nickel plated) 1-4"µ" \* 2-3"µ" \* 3-6"µ" \* 4-15"µ" \* 5-30"µ" \* 6-50"µ" \* 7-75-50"µ" \* 8-80-120"µ" \*  
 Product shielding definition: 0 - no shielding shell; 1 - without shielding shell strap; 2 - shielding a shell strap; 3 - a half-shield shell  
 Products luminous definition: 0 - No LED; 1 -Left Yellow Right Green; 2 -Left Green Right Yellow; 3 - Double Green; 4 - Double Yellow; 5 - LED straight for the pin; 6 - A special definition; \* -Single Illumer LEDs  
 Products out port: "-2X1" \* 2-2X2" \* 4-2X4" \* 5-2X5" \* 6-2X6" \* 8-2X8" \* 1-1X1" \* 1-1X2" \* 1-1X4" \* 1-1X5" \* 1-1X6" \* 1-1X8" \* 1-1X9 \* 1-1X10 \* 1-1X12 \* 1-1X16 \* 1-1X18 \* 1-1X20 \* 1-1X24 \* 1-1X28 \* 1-1X32 \* 1-1X36 \* 1-1X40 \* 1-1X44 \* 1-1X48 \* 1-1X52 \* 1-1X56 \* 1-1X60 \* 1-1X64 \* 1-1X68 \* 1-1X72 \* 1-1X76 \* 1-1X80 \* 1-1X84 \* 1-1X88 \* 1-1X92 \* 1-1X96 \* 1-1X100 \* 1-1X104 \* 1-1X108 \* 1-1X112 \* 1-1X116 \* 1-1X120 \* 1-1X124 \* 1-1X128 \* 1-1X132 \* 1-1X136 \* 1-1X140 \* 1-1X144 \* 1-1X148 \* 1-1X152 \* 1-1X156 \* 1-1X160 \* 1-1X164 \* 1-1X168 \* 1-1X172 \* 1-1X176 \* 1-1X180 \* 1-1X184 \* 1-1X188 \* 1-1X192 \* 1-1X196 \* 1-1X200 \* 1-1X204 \* 1-1X208 \* 1-1X212 \* 1-1X216 \* 1-1X220 \* 1-1X224 \* 1-1X228 \* 1-1X232 \* 1-1X236 \* 1-1X240 \* 1-1X244 \* 1-1X248 \* 1-1X252 \* 1-1X256 \* 1-1X260 \* 1-1X264 \* 1-1X268 \* 1-1X272 \* 1-1X276 \* 1-1X280 \* 1-1X284 \* 1-1X288 \* 1-1X292 \* 1-1X296 \* 1-1X300 \* 1-1X304 \* 1-1X308 \* 1-1X312 \* 1-1X316 \* 1-1X320 \* 1-1X324 \* 1-1X328 \* 1-1X332 \* 1-1X336 \* 1-1X340 \* 1-1X344 \* 1-1X348 \* 1-1X352 \* 1-1X356 \* 1-1X360 \* 1-1X364 \* 1-1X368 \* 1-1X372 \* 1-1X376 \* 1-1X380 \* 1-1X384 \* 1-1X388 \* 1-1X392 \* 1-1X396 \* 1-1X400 \* 1-1X404 \* 1-1X408 \* 1-1X412 \* 1-1X416 \* 1-1X420 \* 1-1X424 \* 1-1X428 \* 1-1X432 \* 1-1X436 \* 1-1X440 \* 1-1X444 \* 1-1X448 \* 1-1X452 \* 1-1X456 \* 1-1X460 \* 1-1X464 \* 1-1X468 \* 1-1X472 \* 1-1X476 \* 1-1X480 \* 1-1X484 \* 1-1X488 \* 1-1X492 \* 1-1X496 \* 1-1X500 \* 1-1X504 \* 1-1X508 \* 1-1X512 \* 1-1X516 \* 1-1X520 \* 1-1X524 \* 1-1X528 \* 1-1X532 \* 1-1X536 \* 1-1X540 \* 1-1X544 \* 1-1X548 \* 1-1X552 \* 1-1X556 \* 1-1X560 \* 1-1X564 \* 1-1X568 \* 1-1X572 \* 1-1X576 \* 1-1X580 \* 1-1X584 \* 1-1X588 \* 1-1X592 \* 1-1X596 \* 1-1X600 \* 1-1X604 \* 1-1X608 \* 1-1X612 \* 1-1X616 \* 1-1X620 \* 1-1X624 \* 1-1X628 \* 1-1X632 \* 1-1X636 \* 1-1X640 \* 1-1X644 \* 1-1X648 \* 1-1X652 \* 1-1X656 \* 1-1X660 \* 1-1X664 \* 1-1X668 \* 1-1X672 \* 1-1X676 \* 1-1X680 \* 1-1X684 \* 1-1X688 \* 1-1X692 \* 1-1X696 \* 1-1X700 \* 1-1X704 \* 1-1X708 \* 1-1X712 \* 1-1X716 \* 1-1X720 \* 1-1X724 \* 1-1X728 \* 1-1X732 \* 1-1X736 \* 1-1X740 \* 1-1X744 \* 1-1X748 \* 1-1X752 \* 1-1X756 \* 1-1X760 \* 1-1X764 \* 1-1X768 \* 1-1X772 \* 1-1X776 \* 1-1X780 \* 1-1X784 \* 1-1X788 \* 1-1X792 \* 1-1X796 \* 1-1X800 \* 1-1X804 \* 1-1X808 \* 1-1X812 \* 1-1X816 \* 1-1X820 \* 1-1X824 \* 1-1X828 \* 1-1X832 \* 1-1X836 \* 1-1X840 \* 1-1X844 \* 1-1X848 \* 1-1X852 \* 1-1X856 \* 1-1X860 \* 1-1X864 \* 1-1X868 \* 1-1X872 \* 1-1X876 \* 1-1X880 \* 1-1X884 \* 1-1X888 \* 1-1X892 \* 1-1X896 \* 1-1X900 \* 1-1X904 \* 1-1X908 \* 1-1X912 \* 1-1X916 \* 1-1X920 \* 1-1X924 \* 1-1X928 \* 1-1X932 \* 1-1X936 \* 1-1X940 \* 1-1X944 \* 1-1X948 \* 1-1X952 \* 1-1X956 \* 1-1X960 \* 1-1X964 \* 1-1X968 \* 1-1X972 \* 1-1X976 \* 1-1X980 \* 1-1X984 \* 1-1X988 \* 1-1X992 \* 1-1X996 \* 1-1X1000 \* 1-1X1004 \* 1-1X1008 \* 1-1X1012 \* 1-1X1016 \* 1-1X1020 \* 1-1X1024 \* 1-1X1028 \* 1-1X1032 \* 1-1X1036 \* 1-1X1040 \* 1-1X1044 \* 1-1X1048 \* 1-1X1052 \* 1-1X1056 \* 1-1X1060 \* 1-1X1064 \* 1-1X1068 \* 1-1X1072 \* 1-1X1076 \* 1-1X1080 \* 1-1X1084 \* 1-1X1088 \* 1-1X1092 \* 1-1X1096 \* 1-1X1100 \* 1-1X1104 \* 1-1X1108 \* 1-1X1112 \* 1-1X1116 \* 1-1X1120 \* 1-1X1124 \* 1-1X1128 \* 1-1X1132 \* 1-1X1136 \* 1-1X1140 \* 1-1X1144 \* 1-1X1148 \* 1-1X1152 \* 1-1X1156 \* 1-1X1160 \* 1-1X1164 \* 1-1X1168 \* 1-1X1172 \* 1-1X1176 \* 1-1X1180 \* 1-1X1184 \* 1-1X1188 \* 1-1X1192 \* 1-1X1196 \* 1-1X1200 \* 1-1X1204 \* 1-1X1208 \* 1-1X1212 \* 1-1X1216 \* 1-1X1220 \* 1-1X1224 \* 1-1X1228 \* 1-1X1232 \* 1-1X1236 \* 1-1X1240 \* 1-1X1244 \* 1-1X1248 \* 1-1X1252 \* 1-1X1256 \* 1-1X1260 \* 1-1X1264 \* 1-1X1268 \* 1-1X1272 \* 1-1X1276 \* 1-1X1280 \* 1-1X1284 \* 1-1X1288 \* 1-1X1292 \* 1-1X1296 \* 1-1X1300 \* 1-1X1304 \* 1-1X1308 \* 1-1X1312 \* 1-1X1316 \* 1-1X1320 \* 1-1X1324 \* 1-1X1328 \* 1-1X1332 \* 1-1X1336 \* 1-1X1340 \* 1-1X1344 \* 1-1X1348 \* 1-1X1352 \* 1-1X1356 \* 1-1X1360 \* 1-1X1364 \* 1-1X1368 \* 1-1X1372 \* 1-1X1376 \* 1-1X1380 \* 1-1X1384 \* 1-1X1388 \* 1-1X1392 \* 1-1X1396 \* 1-1X1400 \* 1-1X1404 \* 1-1X1408 \* 1-1X1412 \* 1-1X1416 \* 1-1X1420 \* 1-1X1424 \* 1-1X1428 \* 1-1X1432 \* 1-1X1436 \* 1-1X1440 \* 1-1X1444 \* 1-1X1448 \* 1-1X1452 \* 1-1X1456 \* 1-1X1460 \* 1-1X1464 \* 1-1X1468 \* 1-1X1472 \* 1-1X1476 \* 1-1X1480 \* 1-1X1484 \* 1-1X1488 \* 1-1X1492 \* 1-1X1496 \* 1-1X1500 \* 1-1X1504 \* 1-1X1508 \* 1-1X1512 \* 1-1X1516 \* 1-1X1520 \* 1-1X1524 \* 1-1X1528 \* 1-1X1532 \* 1-1X1536 \* 1-1X1540 \* 1-1X1544 \* 1-1X1548 \* 1-1X1552 \* 1-1X1556 \* 1-1X1560 \* 1-1X1564 \* 1-1X1568 \* 1-1X1572 \* 1-1X1576 \* 1-1X1580 \* 1-1X1584 \* 1-1X1588 \* 1-1X1592 \* 1-1X1596 \* 1-1X1600 \* 1-1X1604 \* 1-1X1608 \* 1-1X1612 \* 1-1X1616 \* 1-1X1620 \* 1-1X1624 \* 1-1X1628 \* 1-1X1632 \* 1-1X1636 \* 1-1X1640 \* 1-1X1644 \* 1-1X1648 \* 1-1X1652 \* 1-1X1656 \* 1-1X1660 \* 1-1X1664 \* 1-1X1668 \* 1-1X1672 \* 1-1X1676 \* 1-1X1680 \* 1-1X1684 \* 1-1X1688 \* 1-1X1692 \* 1-1X1696 \* 1-1X1700 \* 1-1X1704 \* 1-1X1708 \* 1-1X1712 \* 1-1X1716 \* 1-1X1720 \* 1-1X1724 \* 1-1X1728 \* 1-1X1732 \* 1-1X1736 \* 1-1X1740 \* 1-1X1744 \* 1-1X1748 \* 1-1X1752 \* 1-1X1756 \* 1-1X1760 \* 1-1X1764 \* 1-1X1768 \* 1-1X1772 \* 1-1X1776 \* 1-1X1780 \* 1-1X1784 \* 1-1X1788 \* 1-1X1792 \* 1-1X1796 \* 1-1X1800 \* 1-1X1804 \* 1-1X1808 \* 1-1X1812 \* 1-1X1816 \* 1-1X1820 \* 1-1X1824 \* 1-1X1828 \* 1-1X1832 \* 1-1X1836 \* 1-1X1840 \* 1-1X1844 \* 1-1X1848 \* 1-1X1852 \* 1-1X1856 \* 1-1X1860 \* 1-1X1864 \* 1-1X1868 \* 1-1X1872 \* 1-1X1876 \* 1-1X1880 \* 1-1X1884 \* 1-1X1888 \* 1-1X1892 \* 1-1X1896 \* 1-1X1900 \* 1-1X1904 \* 1-1X1908 \* 1-1X1912 \* 1-1X1916 \* 1-1X1920 \* 1-1X1924 \* 1-1X1928 \* 1-1X1932 \* 1-1X1936 \* 1-1X1940 \* 1-1X1944 \* 1-1X1948 \* 1-1X1952 \* 1-1X1956 \* 1-1X1960 \* 1-1X1964 \* 1-1X1968 \* 1-1X1972 \* 1-1X1976 \* 1-1X1980 \* 1-1X1984 \* 1-1X1988 \* 1-1X1992 \* 1-1X1996 \* 1-1X2000 \* 1-1X2004 \* 1-1X2008 \* 1-1X2012 \* 1-1X2016 \* 1-1X2020 \* 1-1X2024 \* 1-1X2028 \* 1-1X2032 \* 1-1X2036 \* 1-1X2040 \* 1-1X2044 \* 1-1X2048 \* 1-1X2052 \* 1-1X2056 \* 1-1X2060 \* 1-1X2064 \* 1-1X2068 \* 1-1X2072 \* 1-1X2076 \* 1-1X2080 \* 1-1X2084 \* 1-1X2088 \* 1-1X2092 \* 1-1X2096 \* 1-1X2100 \* 1-1X2104 \* 1-1X2108 \* 1-1X2112 \* 1-1X2116 \* 1-1X2120 \* 1-1X2124 \* 1-1X2128 \* 1-1X2132 \* 1-1X2136 \* 1-1X2140 \* 1-1X2144 \* 1-1X2148 \* 1-1X2152 \* 1-1X2156 \* 1-1X2160 \* 1-1X2164 \* 1-1X2168 \* 1-1X2172 \* 1-1X2176 \* 1-1X2180 \* 1-1X2184 \* 1-1X2188 \* 1-1X2192 \* 1-1X2196 \* 1-1X2200 \* 1-1X2204 \* 1-1X2208 \* 1-1X2212 \* 1-1X2216 \* 1-1X2220 \* 1-1X2224 \* 1-1X2228 \* 1-1X2232 \* 1-1X2236 \* 1-1X2240 \* 1-1X2244 \* 1-1X2248 \* 1-1X2252 \* 1-1X2256 \* 1-1X2260 \* 1-1X2264 \* 1-1X2268 \* 1-1X2272 \* 1-1X2276 \* 1-1X2280 \* 1-1X2284 \* 1-1X2288 \* 1-1X2292 \* 1-1X2296 \* 1-1X2300 \* 1-1X2304 \* 1-1X2308 \* 1-1X2312 \* 1-1X2316 \* 1-1X2320 \* 1-1X2324 \* 1-1X2328 \* 1-1X2332 \* 1-1X2336 \* 1-1X2340 \* 1-1X2344 \* 1-1X2348 \* 1-1X2352 \* 1-1X2356 \* 1-1X2360 \* 1-1X2364 \* 1-1X2368 \* 1-1X2372 \* 1-1X2376 \* 1-1X2380 \* 1-1X2384 \* 1-1X2388 \* 1-1X2392 \* 1-1X2396 \* 1-1X2400 \* 1-1X2404 \* 1-1X2408 \* 1-1X2412 \* 1-1X2416 \* 1-1X2420 \* 1-1X2424 \* 1-1X2428 \* 1-1X2432 \* 1-1X2436 \* 1-1X2440 \* 1-1X2444 \* 1-1X2448 \* 1-1X2452 \* 1-1X2456 \* 1-1X2460 \* 1-1X2464 \* 1-1X2468 \* 1-1X2472 \* 1-1X2476 \* 1-1X2480 \* 1-1X2484 \* 1-1X2488 \* 1-1X2492 \* 1-1X2496 \* 1-1X2500 \* 1-1X2504 \* 1-1X2508 \* 1-1X2512 \* 1-1X2516 \* 1-1X2520 \* 1-1X2524 \* 1-1X2528 \* 1-1X2532 \* 1-1X2536 \* 1-1X2540 \* 1-1X2544 \* 1-1X2548 \* 1-1X2552 \* 1-1X2556 \* 1-1X2560 \* 1-1X2564 \* 1-1X2568 \* 1-1X2572 \* 1-1X2576 \* 1-1X2580 \* 1-1X2584 \* 1-1X2588 \* 1-1X2592 \* 1-1X2596 \* 1-1X2600 \* 1-1X2604 \* 1-1X2608 \* 1-1X2612 \* 1-1X2616 \* 1-1X2620 \* 1-1X2624 \* 1-1X2628 \* 1-1X2632 \* 1-1X2636 \* 1-1X2640 \* 1-1X2644 \* 1-1X2648 \* 1-1X2652 \* 1-1X2656 \* 1-1X2660 \* 1-1X2664 \* 1-1X2668 \* 1-1X2672 \* 1-1X2676 \* 1-1X2680 \* 1-1X2684 \* 1-1X2688 \* 1-1X2692 \* 1-1X2696 \* 1-1X2700 \* 1-1X2704 \* 1-1X2708 \* 1-1X2712 \* 1-1X2716 \* 1-1X2720 \* 1-1X2724 \* 1-1X2728 \* 1-1X2732 \* 1-1X2736 \* 1-1X2740 \* 1-1X2744 \* 1-1X2748 \* 1-1X2752 \* 1-1X2756 \* 1-1X2760 \* 1-1X2764 \* 1-1X2768 \* 1-1X2772 \* 1-1X2776 \* 1-1X2780 \* 1-1X2784 \* 1-1X2788 \* 1-1X2792 \* 1-1X2796 \* 1-1X2800 \* 1-1X2804 \* 1-1X2808 \* 1-1X2812 \* 1-1X2816 \* 1-1X2820 \* 1-1X2824 \* 1-1X2828 \* 1-1X2832 \* 1-1X2836 \* 1-1X2840 \* 1-1X2844 \* 1-1X2848 \* 1-1X2852 \* 1-1X2856 \* 1-1X2860 \* 1-1X2864 \* 1-1X2868 \* 1-1X2872 \* 1-1X2876 \* 1-1X2880 \* 1-1X2884 \* 1-1X2888 \* 1-1X2892 \* 1-1X2896 \* 1-1X2900 \* 1-1X2904 \* 1-1X2908 \* 1-1X2912 \* 1-1X2916 \* 1-1X2920 \* 1-1X2924 \* 1-1X2928 \* 1-1X2932 \* 1-1X2936 \* 1-1X2940 \* 1-1X2944 \* 1-1X2948 \* 1-1X2952 \* 1-1X2956 \* 1-1X2960 \* 1-1X2964 \* 1-1X2968 \* 1-1X2972 \* 1-1X2976 \* 1-1X2980 \* 1-1X2984 \* 1-1X2988 \* 1-1X2992 \* 1-1X2996 \* 1-1X3000 \* 1-1X3004 \* 1-1X3008 \* 1-1X3012 \* 1-1X3016 \* 1-1X3020 \* 1-1X3024 \* 1-1X3028 \* 1-1X3032 \* 1-1X3036 \* 1-1X3040 \* 1-1X3044 \* 1-1X3048 \* 1-1X3052 \* 1-1X3056 \* 1-1X3060 \* 1-1X3064 \* 1-1X3068 \* 1-1X3072 \* 1-1X3076 \* 1-1X3080 \* 1-1X3084 \* 1-1X3088 \* 1-1X3092 \* 1-1X3096 \* 1-1X3100 \* 1-1X3104 \* 1-1X3108 \* 1-1X3112 \* 1-1X3116 \* 1-1X3120 \* 1-1X3124 \* 1-1X3128 \* 1-1X3132 \* 1-1X3136 \* 1-1X3140 \* 1-1X3144 \* 1-1X3148 \* 1-1X3152 \* 1-1X3156 \* 1-1X3160 \* 1-1X3164 \* 1-1X3168 \* 1-1X3172 \* 1-1X3176 \* 1-1X3180 \* 1-1X3184 \* 1-1X3188 \* 1-1X3192 \* 1-1X3196 \* 1-1X3200 \* 1-1X3204 \* 1-1X3208 \* 1-1X3212 \* 1-1X3216 \* 1-1X3220 \* 1-1X3224 \* 1-1X3228 \* 1-1X3232 \* 1-1X3236 \* 1-1X3240 \* 1-1X3244 \* 1-1X3248 \* 1-1X3252 \* 1-1X3256 \* 1-1X3260 \* 1-1X3264 \* 1-1X3268 \* 1-1X3272 \* 1-1X3276 \* 1-1X3280 \* 1-1X3284 \* 1-1X3288 \* 1-1X3292 \* 1-1X3296 \* 1-1X3300 \* 1-1X3304 \* 1-1X3308 \* 1-1X3312 \* 1-1X3316 \* 1-1X3320 \* 1-1X3324 \* 1-1X3328 \* 1-1X3332 \* 1-1X3336 \* 1-1X3340 \* 1-1X3344 \* 1-1X3348 \* 1-1X3352 \* 1-1X3356 \* 1-1X3360 \* 1-1X3364 \* 1-1X3368 \* 1-1X3372 \* 1-1X3376 \* 1-1X3380 \* 1-1X3384 \* 1-1X3388 \* 1-1X3392 \* 1-1X3396 \* 1-1X3400 \* 1-1X3404 \* 1-1X3408 \* 1-1X3412 \* 1-1X3416 \* 1-1X3420 \* 1-1X3424 \* 1-1X3428 \* 1-1X3432 \* 1-1X3436 \* 1-1X3440 \* 1-1X3444 \* 1-1X3448 \* 1-1X3452 \* 1-1X3456 \* 1-1X3460 \* 1-1X3464 \* 1-1X3468 \* 1-1X3472 \* 1-1X3476 \* 1-1X3480 \* 1-1X3484 \* 1-1X3488 \* 1-1X3492 \* 1-1X3496 \* 1-1X3500 \* 1-1X3504 \* 1-1X3508 \* 1-1X3512 \* 1-1X3516 \* 1-1X3520 \* 1-1X3524 \* 1-1X3528 \* 1-1X3532 \* 1-1X3536 \* 1-1X3540 \* 1-1X3544 \* 1-1X3548 \* 1-1X3552 \* 1-1X3556 \* 1-1X3560 \* 1-1X3564 \* 1-1X3568 \* 1-1X3572 \* 1-1X3576 \* 1-1X3580 \* 1-1X3584 \* 1-1X3588 \* 1-1X3592 \* 1-1X3596 \* 1-1X3600 \* 1-1X3604 \* 1-1X3608 \* 1-1X3612 \* 1-1X3616 \* 1-1X3620 \* 1-1X3624 \* 1-1X3628 \* 1-1X3632 \* 1-1X3636 \* 1-1X3640 \* 1-1X3644 \* 1-1X3648 \* 1-1X3652 \* 1-1X3656 \* 1-1X3660 \* 1-1X3664 \* 1-1X3668 \* 1-1X3672 \* 1-1X3676 \* 1-1X3680 \* 1-1X3684 \* 1-1X3688 \* 1-1X3692 \* 1-1X3696 \* 1-1X3700 \* 1-1X3704 \* 1-1X3708 \* 1-1X3712 \* 1-1X3716 \* 1-1X3720 \* 1-1X3724 \* 1-1X3728 \* 1-1X3732 \* 1-1X3736 \* 1-1X3740 \* 1-1X3744 \* 1-1X3748 \* 1-1X3752 \* 1-1X3756 \* 1-1X3760 \* 1-1X3764 \* 1-1X3768 \* 1-1X3772 \* 1-1X3776 \* 1-1X3780 \* 1-1X3784 \* 1-1X3788 \* 1-1X3792 \* 1-1X3796 \* 1-1X3800 \* 1-1X3804 \* 1-1X3808 \* 1-1X3812 \* 1-1X3816 \* 1-1X3820 \* 1-1X3824 \* 1-1X3828 \* 1-1X3832 \* 1-1X3836 \* 1-1X3840 \* 1-1X3844 \* 1-1X3848 \* 1-1X3852 \* 1-1X3856 \* 1-1X3860 \* 1-1X3864 \* 1-1X3868 \* 1-1X3872 \* 1-1X3876 \* 1-1X3880 \* 1-1X3884 \* 1-1X3888 \* 1-1X3892 \* 1-1X3896 \* 1-1X3900 \* 1-1X3904 \* 1-1X3908 \* 1-1X3912 \* 1-1X3916 \* 1-1X3920 \* 1-1X3924 \* 1-1X3928 \* 1-1X3932 \* 1-1X3936 \* 1-1X3940 \* 1-1X3944 \* 1-1X3948 \* 1-1X3952 \* 1-1X3956 \* 1-1X3960 \* 1-1X3964 \* 1-1X3968 \* 1-1X3972 \* 1-1X3976 \* 1-1X3980 \* 1-1X3984 \* 1-1X3988 \* 1-1X3992 \* 1-1X3996 \* 1-1X4000 \* 1-1X4004 \* 1-1X4008 \* 1-1X4012 \* 1-1X4016 \* 1-1X4020 \* 1-1X4024 \* 1-1X4028 \* 1-1X4032 \* 1-1X4036 \* 1-1X4040 \* 1-1X4044 \* 1-1X4048 \* 1-1X4052 \* 1-1X4056 \* 1-1X4060 \* 1-1X4064 \* 1-1X4068 \* 1-1X4072 \* 1-1X4076 \* 1-1X4080 \* 1-1X4084 \* 1-1X4088 \* 1-1X4092 \* 1-1X4096 \* 1-1X4100 \* 1-1X4104 \* 1-1X4108 \* 1-1X4112 \* 1-1X4116 \* 1-1X4120 \* 1-1X4124 \* 1-1X4128 \* 1-1X4132 \* 1-1X41