



### DESCRIPTION

RJ45 With internal Magnetics Connector

Design to support such applications as: Ethernet Equipment, Complex Switches, Routers, Firewalls, Servers and Hub

Internal magnetics are 100% electrically tested for functionality per IEEE802.3 requirement

High performance for maximum EMI suppression

350uH minimum OCL with 8mA bias current

PoE rating: 15W, 350mA, 48V (For PoE Products only)

JACK CAVITY CONFORMS TO FCC RULES AND REGULATIONS, PART 68 SUBPART F.

INSERTION FORCE: 2 CONTACTS-----350g 4 CONTACTS-----500g

6 CONTACTS-----750g 8 CONTACTS-----900g

10 CONTACTS-----1050g

RETENTION STRENGTH: 7.7kgs BETWEEN JACK AND PLUG

DURABILITY: 750 MATING CYCLES Mini

HOUSING: 1) GLASS FILLED PA66 (UL 94V-0)

2) GLASS FILLED PA46/LCP (UL 94V-0)

3) GLASS FILLED PBT (UL 94V-0)

SPRING WIRE: 1) 0.2-0.45mm DIA PHOSPHOR BRONZE GOLD PLATING OVER NICKEL

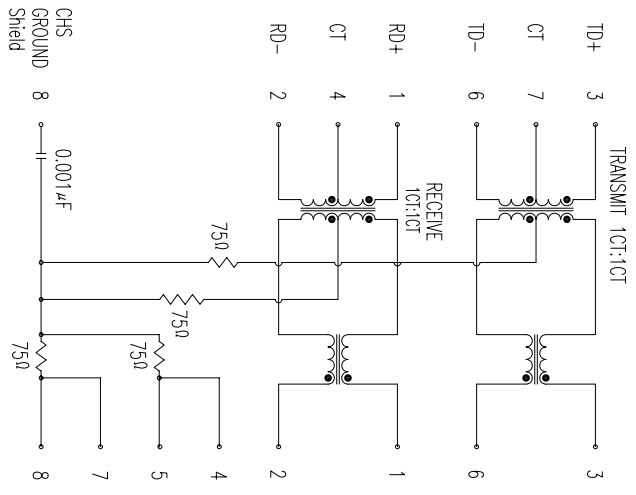
2) 0.2-0.35mm THICKNESS PHOSPHOR BRONZE ALLOY SELECTIVE GOLD PLATING OVER NICKEL

SHIELDING: 0.12-0.24mm THICKNESS COPPER ALLOY WITH TIN PLATED

GOLD PLATING: 3u", 6u", 15u", 30u", 50u"

WORKING TEMPERATURE: -20 to 70°C

TOLERANCES UNLESS OTHERWISE SPECIFIED : 0~10±0.15, 10~20±0.2, 20~40±0.25, 40~70±0.3, >70±0.4



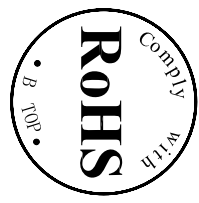
### ELECTRICAL SPECIFICATIONS AT 25 °C

Insertion Loss dB max	Return Loss dB min	Cross talk (dB TYP)	Common Mode Rejection (dB TYP)	Hypod (Vrms)						
1-100MHz	1-30MHz	30-60MHz	60-100MHz	1-30MHz	30-60MHz	60-100MHz	1-30MHz	30-60MHz	50-150MHz	1500/0.5mA
-1.0	-18	-16	-12	-40	-35	-30	-30	-20		



**东莞市博腾电子科技有限公司**  
Dongguan BroadTop Electronic Technology Co., Ltd.

FIRST ANGLE PROJECTION		CUSTOMER	DESIGNED	MATERIAL	DESCRIPTION	REV.
		MODEL NO.	CHECKED	SCALE 1.8:1	UNIT mm	
		APPROVED				



"B" with the company code  
Series of products: 60 Double deck RJ45 connector + transformer series (in shielding footprint); 59 Double deck RJ45 connector + transformer series (in vertical footprint); 50 Single RJ45 + transformer series; 53/55/56 EBU/66/57/59 ordinary RJ45 series; DIX, their strip line series; 40 Conversion and Connectivity 80 Series that UK; 91 Automotive connector public Block; 93; 100M1 the head; 94; 100M number Block; 95; SMT series; 96; BHS for switches

Family code (sequence id): 1-99  
Type of product code: G: Gigabit RJ45 transformer; F: 100M RJ45 transformer; K: for transformer RJ45 products; R: series for thumb-locked code

Number of magnetic ring  
The No. of circuit

Product definition LOGO: 1-Press "B"-TOP"2- No "B"-TOP"; 3-Other companies LOGO

Product definition plastic materials: 1-P.A66, 2-P.A46, 3-PA, 4-PA6, 5-PBT, 6-ABS, 7-PA9T, 8-PC

Pin definition of the product: F- Pin after; B- Pin back; C- No definition of the product

Electroplating product definition: gold-plated terminals (e.g. silver nickel plated) 1-F; 2-23; 3-25; 4-25; 5-25; 6-25; 7-25; 8-25; 9-25; 10-25; 11-25; 12-25; 13-25; 14-25; 15-25; 16-25; 17-25; 18-25; 19-25; 20-25; 21-25; 22-25; 23-25; 24-25; 25-25; 26-25; 27-25; 28-25; 29-25; 30-25; 31-25; 32-25; 33-25; 34-25; 35-25; 36-25; 37-25; 38-25; 39-25; 40-25; 41-25; 42-25; 43-25; 44-25; 45-25; 46-25; 47-25; 48-25; 49-25; 50-25; 51-25; 52-25; 53-25; 54-25; 55-25; 56-25; 57-25; 58-25; 59-25; 60-25

Product shielding definition: 0 - no shielding shell; 1 - without shielding shell; 2 - shielding a shell; 3 - a half-shielded shell; 4 - a shielded shell

Products luminous definition: 0 - No LED; 1 - Left Yellow Right Green; 2 - Left Green Right Yellow; 3 - Double Green; 4 - Double Yellow; 5 - LED straight for the pin; 6 - A special definition; 7 - Single Linear LEDs

Products wire part: 1-50T; 2-20T; 3-20T; 4-20T; 5-20T; 6-20T; 7-20T; 8-20T; 9-20T; 10-20T; 11-20T; 12-20T; 13-20T; 14-20T; 15-20T; 16-20T; 17-20T; 18-20T; 19-20T; 20-20T; 21-20T; 22-20T; 23-20T; 24-20T; 25-20T; 26-20T; 27-20T; 28-20T; 29-20T; 30-20T; 31-20T; 32-20T; 33-20T; 34-20T; 35-20T; 36-20T; 37-20T; 38-20T; 39-20T; 40-20T; 41-20T; 42-20T; 43-20T; 44-20T; 45-20T; 46-20T; 47-20T; 48-20T; 49-20T; 50-20T; 51-20T; 52-20T; 53-20T; 54-20T; 55-20T; 56-20T; 57-20T; 58-20T; 59-20T; 60-20T