

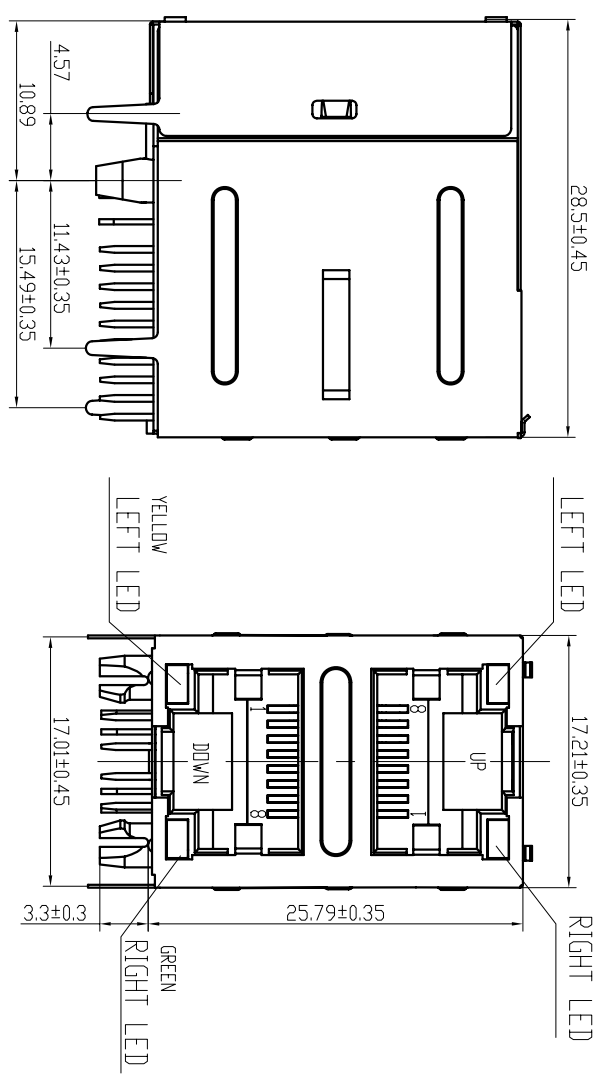
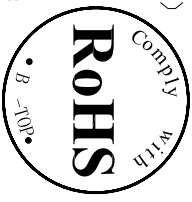
LED Specification

Standard LED Color	LED Wavelength (nm)	Forward (V MAX)	Typical (V TYP)	Luminous Intensity (mcd)
Green	560-580 nm	2.5V	2.1-2.2V	9-25 MCD
Yellow	580-610 nm	2.5V	2.1-2.2V	9-30 MCD
Orange	580-610 nm	2.5V	2.1-2.2V	50-100 MCD

- LED intensity/wavelength measured with Photo Research PR-650 Colorimeter
- With a forward current of 20 mA, Absolute Maximum Ratings (Ta=25°C)

Specification:

- TOLERANCES UNLESS OTHERWISE SPECIFIED : 0~10±0.15, 10~20±0.2, 20~40±0.25, 40~70±0.3, >70±0.4
- JACK CAVITY CONFORMS TO FCC RULES AND REGULATIONS, PART 68 SUBPART F.



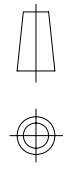
BTOP
 Dongguan BroadTop Electronic Technology Co., Ltd.

Designed
 Checked
 Approved

MATERIAL

DESCRIPTION
 B59(57-01)F4-177-1613-C12(2X1 GY/YG LED)

FIRST ANGLE PROJECTION



CUSTOMER MODEL NO.

SCALE 2:1

UNIT mm

MODEL NO.

B01041035611

REV. V1.0

DESCRIPTION

RJ45 With internal Magnetics Connector

Designed to support such applications as: Ethernet Equipment Complex, Switches, Routers, Firewalls, Servers and Hub

Internal magnetics are 100% electrically tested for functionality per IEEE802.3 requirement

RoHS peak wave solder temperature rating 235^ot

High performance for maximum EMI suppression

350uH minimum OCL with 8mA bias current

PoE rating: 15W, 350mA, 48V (For PoE Products only)

JACK CAVITY CONFORMS TO FCC RULES AND REGULATIONS, PART 68 SUBPART F.

MECHANICAL: INSERTION FORCE: 2 CONTACTS-----350g 4 CONTACTS-----500g
6 CONTACTS-----750g 8 CONTACTS-----900g
10 CONTACTS-----1050g

RETENTION STRENGTH: 7.7kgs BETWEEN JACK AND PLUG

DURABILITY: 750 MATING CYCLES Mini

HOUSING: 1) GLASS FILLED PA66 (UL 94V-0)
2) GLASS FILLED PA46/LCP (UL 94V-0)

3) GLASS FILLED PBT (UL 94V-0)

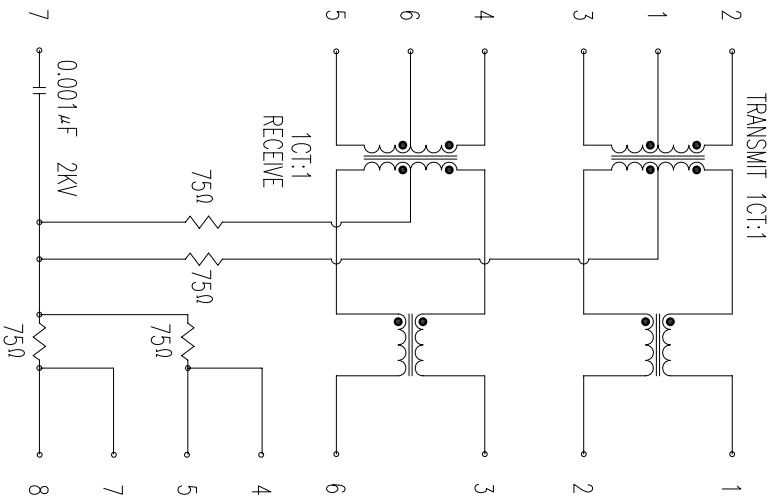
MATERIAL: SPRING WIRE: 1) 0.2-0.45mm DIA PHOSPHOR BRONZE GOLD PLATING OVER NICKEL
2) 0.2-0.35mm THICKNESS PHOSPHOR BRONZE ALLOY SELECTIVE GOLD PLATING OVER NICKEL

SHIELDING: 0.12-0.24mm THICKNESS COPPER ALLOY WITH TIN PLATED

GOLD PLATING: 3 μ " , 6 μ " , 15 μ " , 30 μ " , 50 μ "

WORKING TEMPERATURE: -20^oc~70^oc

TOLERANCES UNLESS OTHERWISE SPECIFIED : 0~10 \pm 0.15; 10~20 \pm 0.2; 20~40 \pm 0.25; 40~70 \pm 0.3; >70 \pm 0.4



ELECTRICAL SPECIFICATIONS AT 25°C

Insertion Loss	Return Loss db min	Crosstalk(db TR)	Common Mode Rejection (db TR)	Hipot(Vrms)					
1-100MHz	1-30MHz	30-60MHz	60-100MHz	1-30MHz	30-60MHz	60-100MHz	1-50MHz	50-150MHz	1500/0.5mA
-1.0	-18	-16	-12	-40	-35	-30	-30	-20	

"B" with the company code
Series of products: 60 double deck RJ45 connector + transformer series; In station footprint: 38 double deck RJ45 connector + transformer series; In vertical footprint: 30; Shield RJ45 + transformer series: 32/33/35/36 LED/56/57/58; Ordinary RJ45 series: 30; that strip line series: 40; conversion said
Connectivity: 80; Series that UK: 91; Automotive connector number: Block: 93; IBM the head: 94; IBM another Block: 95; SMT series: 96; NIS for series: SP5-SP connector
Family code (sequence id): 1-99

Product definition LOGO: 1 - Press "B" - 10P - 2; No "B" - 10P - 3; Other companies LOGO
Product definition plastic materials: 1-PA66 2-PA46, 3-PA, 4-PA6, 5-PBT, 6-ABS, 7-PA9T 8-LCP
Pin definition of the product: F-Pin after: B-Pin back; C- No definition of the product
Electroplating product definition: gold-plated terminals/tegs after nickel plated: 1-F 1" : 2-3 1" : 3-5 1" : 4-15 1" : 5-30 1" : 6-50 1" : 7-4N-50 1" : 8-80-120 1" : 9-)
Product shielding definition: 0 - no shielding shell; 1 - without shielding shell strapnet; 2 - shielding a shell strapnet; 3 - a half-shield shell; 4 - shielding a TFS strapnet;
Products luminous definition: 0 - No LED; 1 - Left Yellow Right Green; 2 - Left Green Right Yellow; 3 - Double Green; 4 - Double Yellow; 5 - LED straight for the pin; 6 - A special definition; 7 - Single Inner LED's
Products out port: " 1-21" " 2-22" " 4-24" " 5-25" " 6-26" " 8-28" " 4-11" " 8-12" " 6-14" " 8-15" " " E-16" " 1-18" " L-USB-R45" " F-18 DP11" " H-18 DP12" " K-18 DP14" "

Number of magnetic ring
The No. of circuit

BTOP
东莞市博腾电子科技有限公司
Dongguan BroadTop Electronic Technology Co., Ltd.

FIRST ANGLE PROJECTION	CUSTOMER MODEL NO.	Designed Checked	Approved	MATERIAL	SCALE	UNIT	MODEL NO.	DESCRIPTION	REV.
					1.8:1	mm		BT F4-177	

